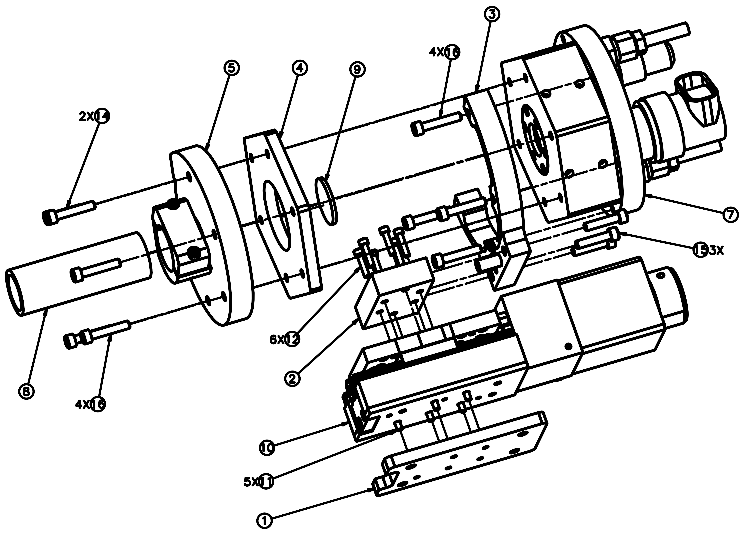
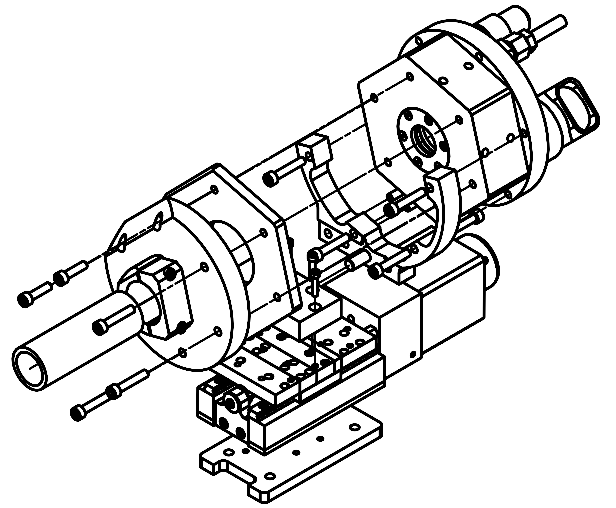


REVISIONS				
LTR	DESCRIPTION	DATE	REVISED BY	APPROVED
A	INITIAL RELEASE	03/28/04	J. BROWN	G. LANDIS



EXPLODED
EXPLICIT VIEW
SCALE 1:1



EXPLODED
ISOMETRIC VIEW

DO NOT SCALE DRAWING		THIS DRAWING CREATED IN:		Steward Observatory, University of Arizona	
TOLERANCES UNLESS OTHERWISE SPECIFIED		ASAP	ISO	933 N. Cherry Avenue, Tucson, AZ 85721 (520)621-7850	
TOLERANCES IN ACCORDANCE WITH ISO 2768-MS		<input type="checkbox"/>	<input checked="" type="checkbox"/>	DESIGNED BY: D. DEAN	DATE: 06/21/04
UNLESS OTHERWISE SPECIFIED				PROJECT: MMT	
LINES: HIDDEN				DRAWN BY: G. LANDIS	DATE: 06/21/04
: 0.125				APPROVED BY: M. REED	DATE: 06/21/04
: 0.25				TITLE: GUIDE CAMERA STAGE ASSEMBLY	
: 0.5				MATERIAL	
: 1.0				14271	MMT-MAESTRO
: 1.5				NEXT ASSY USED ON	
: 2.0				FINISH	
: 3.0				ASSEMBLY APPLICATION	
: 4.0				COMPANY TOLERANCES/PLATE LOCATION	
: 5.0				STANDARD ASSUMED UNLESS OTHERWISE SPECIFIED	
: 6.0				PLAT TO BE BOMBI	NUMBER BOMBI
: 7.0				D -	14174
: 8.0				REVISION	A
: 9.0				SHEET 3 OF 3	