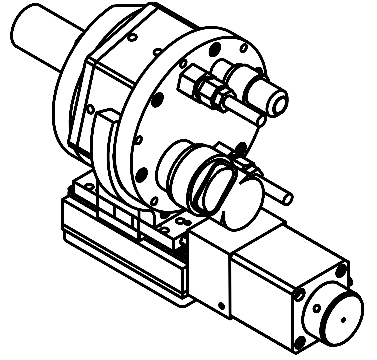
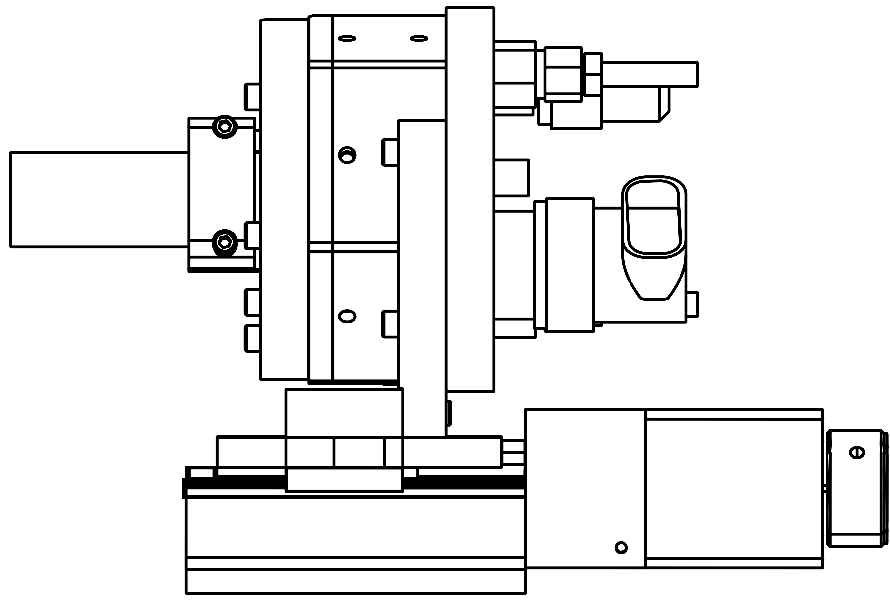


REVISIONS				
LTR	DESCRIPTION	DATE	REVISED BY	APPROVED
A	INITIAL RELEASE	03/28/04	J. DEAN	S. LANDIS

A SHT 2



ASSEMBLED VIEW
SCALE 2:1

QTY	PART NUMBER	DESCRIPTION	UNIT	REVISION
1	92196A198	.184-32 UNC X .875 SHCS	McMASTER CARR	18
3	92196A197	.184-32 UNC X .750 SHCS	McMASTER CARR	15
2	92196A196	.184-32 UNC X .825 SHCS	McMASTER CARR	14
2	92196A193	.138-32 UNC X .750 SHCS	McMASTER CARR	13
5	92196A110	.112-40 UNC X .500 SHCS	McMASTER CARR	12
3	92196A108	.112-40 UNC X .375 SHCS	McMASTER CARR	11
1	KV-50	GUIDER STAGE	NEAT	10
1	OPTIONAL	GUIDE CAMERA FILTER 1 INCH X 2 MM	EDMUND	9
1	A45-760	GUIDE CAMERA IWO RELAY LENS ASSEMBLY	EDMUND	8
1	9418	OOD/DEWAR GUIDER ASSEMBLY		7
1	14173	GUIDE CAMERA RELAY LENS CLAMP BLOCK		6
1	14172	GUIDE CAMERA FILTER PORT OPTICAL LENS CAN MOUNT		5
1	14171	GUIDE CAMERA INSULATION PLATE		4
1	14170	GUIDE CAMERA FLANGE MOUNTING PLATE		3
1	14169	GUIDER STAGE MOUNTING BLOCK		2
1	14168	GUIDE CAMERA STAGE MOUNTING PLATE		1

DO NOT SCALE DRAWING				THIS DRAWING CREATED IN:			
TOLERANCES UNLESS OTHERWISE SPECIFIED ARE IN ACCORDANCE WITH ASME Y14.5M-94				<input type="checkbox"/> ASAP <input type="checkbox"/> MDC <input checked="" type="checkbox"/> TIGER			
UNLESS OTHERWISE SPECIFIED DIMENSIONS ARE IN INCHES DECIMALS .0005 FRACTIONS 1/16"				Steward Observatory, University of Arizona 933 N. Cherry Avenue, Tucson, AZ 85721 (520)621-7856			
TOLERANCES HOLE POSITION UNLESS OTHERWISE SPECIFIED HORIZONTAL .005 VERTICAL .005				DRAWN BY: D. DEAN DATE: 02/21/04		PROJECT: MAESTRO	
MATERIAL 14271 MAESTRO-MAESTRO				CHECKED BY: G. LANDIS DATE: 02/21/04		TITLE: GUIDE CAMERA STAGE ASSEMBLY	
FINISH ASSEMBLY APPLICATION				APPROVED BY: M. REED DATE: 02/21/04		PART OR SUB-ASSY: D - 14174 REVISION: A	
COMMENTS: THIS DRAWING IS THE PROPERTY OF THE UNIVERSITY OF ARIZONA AND IS NOT TO BE REPRODUCED OR TRANSMITTED IN ANY FORM OR BY ANY MEANS, ELECTRONIC OR MECHANICAL, INCLUDING PHOTOCOPYING, RECORDING, OR BY ANY INFORMATION STORAGE AND RETRIEVAL SYSTEM.				SHEET 1 OF 3			