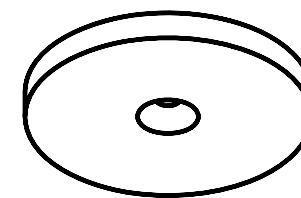
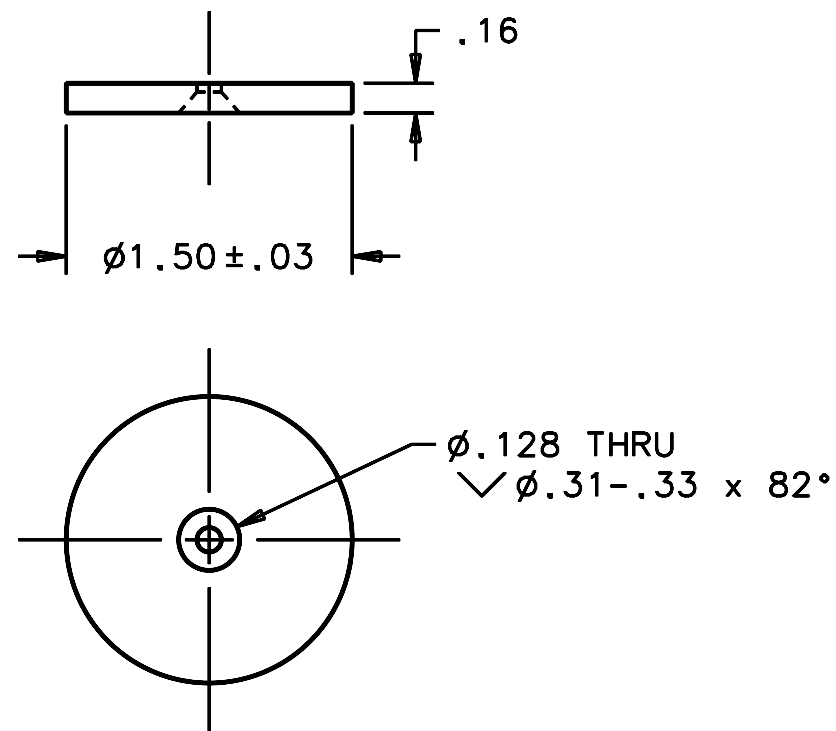


REVISIONS				
LTR	DESCRIPTION	DATE	REVISED BY	APPROVED
A	INITIAL RELEASE	05/09/05	J. BRENNAN	G. LANDIS



SCALE 1:1

NOTES:

1. 4 REQUIRED.
2. BREAK SHARP EDGES & DEBURR.

DO NOT SCALE DRAWING INTERPRET DIMENSIONS AND TOLERANCES IN ACCORDANCE WITH ASME Y14.5M-94	THIS DRAWING CREATED IN:			Steward Observatory, University of Arizona 933 N. Cherry Avenue, Tucson, AZ 85721 (520)621-7659			
	ACAD <input type="checkbox"/>	MECH <input type="checkbox"/>	IDEAS <input checked="" type="checkbox"/>	DESIGNED BY: B. CUERDEN	DATE: 4/7/04	CATEGORY: MMT	
TOLERANCES UNLESS OTHERWISE SPECIFIED LINEAR ANGULAR .1 = .01 ±1° .05 = .02 .02 = .01				DRAWN BY: R. NAGY	10/22/04	PROJECT: MAESTRO	
				CHECKED BY: G. LANDIS	03/21/05	TITLE: GRATING TOP AXIAL REST PAD	
			APPROVED: M. REED	05/09/05			
			APPROVED: J. BECHTOLD	05/09/05			
MATERIAL NYLON 6/6	13609	MMT-MAESTRO	APPROVED: R. WARNER	05/09/05	PLOT SIZE B	SCALE: -	DRAWING NUMBER: 14258
FINISH NONE	NEXT ASSY	USED ON	APPROVED:				REVISION: A
				CURRENT TIME/DATE/FILE LOCATION: DRAWING ARCHIVE LOCATION: http://devinci.cs.arizona.edu/ocod/default.html			