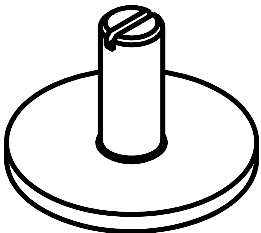
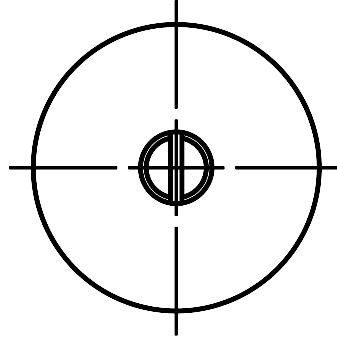
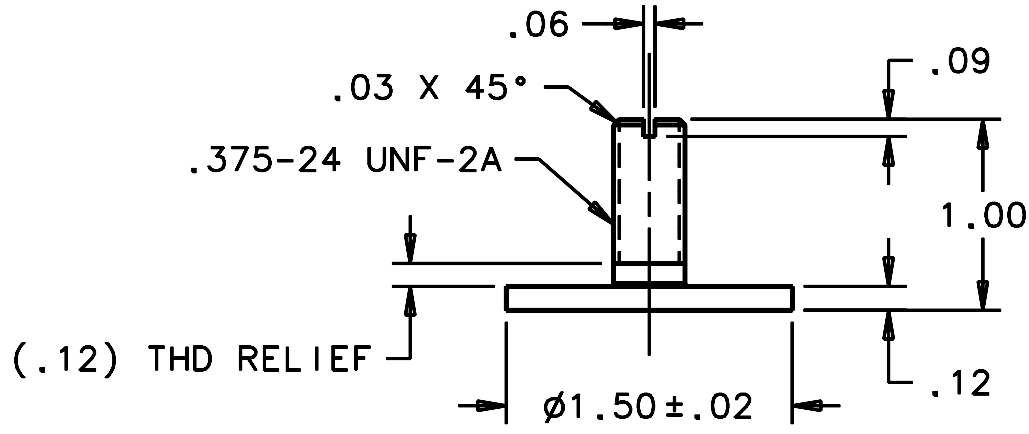


REVISIONS				
LTR	DESCRIPTION	DATE	REVISED BY	APPROVED
A	INITIAL RELEASE	05/11/05	J. BRENNAN	G. LANDIS



SCALE NTS



SCALE 1:1

- NOTES:
1. 5 REQUIRED
  2. BREAK SHARP EDGES & DEBURR.
  3. MACHINED FILLETS TO BE R.015 MAX.

DO NOT SCALE DRAWING INTERPRET DIMENSIONS AND TOLERANCES IN ACCORDANCE WITH ASME Y14.5M-94	THIS DRAWING CREATED IN:			Steward Observatory, University of Arizona 933 N. Cherry Avenue, Tucson, AZ 85721 (520)621-7659			
	ACAD <input type="checkbox"/>	MECH <input type="checkbox"/>	IDEAS <input checked="" type="checkbox"/>	DESIGNED BY: S. MATHEWS	DATE: 9/21/04	CATEGORY: MMT	
TOLERANCES UNLESS OTHERWISE SPECIFIED LINEAR      ANGULAR .X      = .12      ±1° .XX      = .02 .XXX     = .12 DIAMETRICAL SEE SPEC S-002				DRAWN BY: R. NAGY	10/7/04	PROJECT: MAESTRO	
				CHECKED BY: G. LANDIS	03/21/05	TITLE: GRATING BOTTOM AXIAL REST PAD	
MATERIAL NYLON 6/6				APPROVED: M. REED	05/11/05	PLOT SIZE B	SCALE: -
				APPROVED: J. BECHTOLD	05/11/05		
FINISH NONE				APPROVED: R. WARNER	05/11/05	CURRENT TIME/DATE/FILE LOCATION:	
				ASSEMBLY APPLICATION	DRAWING ARCHIVE LOCATION: <a href="http://devinci.cs.arizona.edu/ocod/default.html">http://devinci.cs.arizona.edu/ocod/default.html</a>		SHEET 1 OF 1