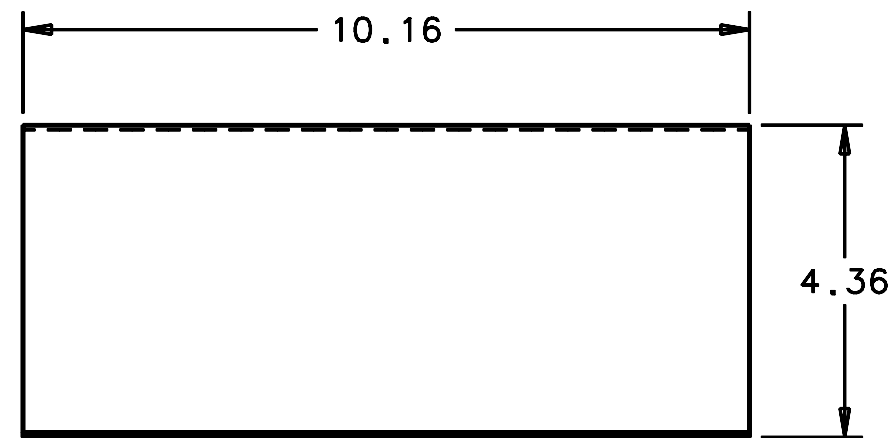
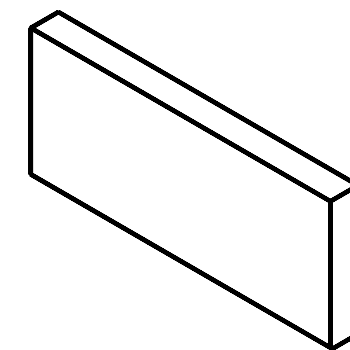
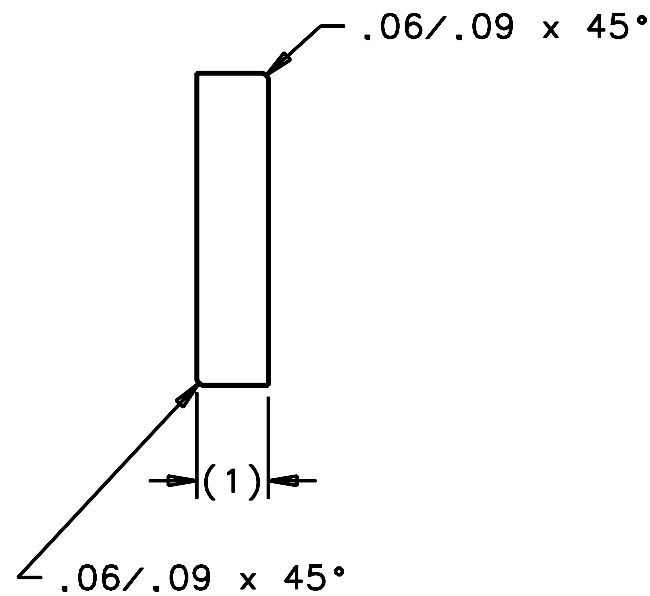


REVISIONS				
LTR	DESCRIPTION	DATE	REVISED BY	APPROVED
A	INITIAL RELEASE	05/09/05	J. BRENNAN	G. LANDIS



SCALE 3:8



SCALE NTS

NOTES:

1. 1 REQUIRED.
- ② MATERIAL: MAKE FROM BLANK AS CUT FROM 13594 COMPOSITE PANEL PART LAYOUT.
3. BREAK SHARP EDGES & DEBURR.

DO NOT SCALE DRAWING INTERPRET DIMENSIONS AND TOLERANCES IN ACCORDANCE WITH ASME Y14.5M-94	THIS DRAWING CREATED IN:			Steward Observatory, University of Arizona 933 N. Cherry Avenue, Tucson, AZ 85721 (520)621-7659					
	ACAD <input type="checkbox"/>	MECH <input type="checkbox"/>	IDEAS <input checked="" type="checkbox"/>	DESIGNED BY: S. MATHEWS/B.C.	DATE: 9/1/04	CATEGORY: MMT			
TOLERANCES UNLESS OTHERWISE SPECIFIED LINEAR ANGULAR .X - .NA ±1° .XX - 2.03 .XXX - .NA DIAMETRICAL SEE SPEC S-002				DRAWN BY: R. NAGY	10/12/04	PROJECT: MAESTRO			
				CHECKED BY: G. LANDIS	03/21/05	TITLE: GRATING CELL-SUBSTRATE BOX RIGHT WALL			
MATERIAL ②				APPROVED: M. REED	05/09/05				
				APPROVED: J. BECHTOLD	05/09/05				
FINISH NONE	13598	MMT-MAESTRO		APPROVED: R. WARNER	05/09/05	PLOT SIZE B	SCALE: -	DRAWING NUMBER: 14200	REVISION: A
	NEXT ASSY	USED ON		APPROVED:					
				CURRENT TIME/DATE/FILE LOCATION:				SHEET 1 OF 1	
				DRAWING ARCHIVE LOCATION: http://devinci1.cs.arizona.edu/ocod/default.html					