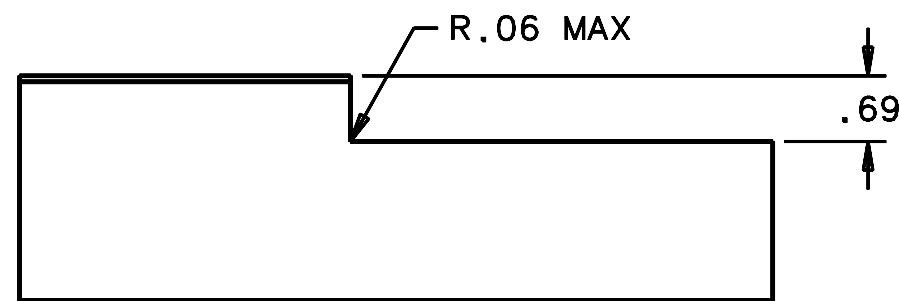
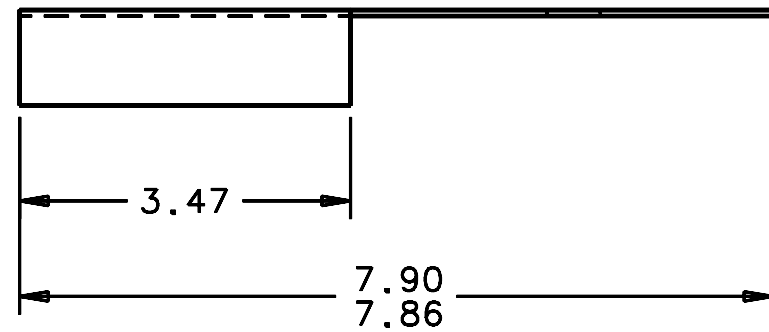
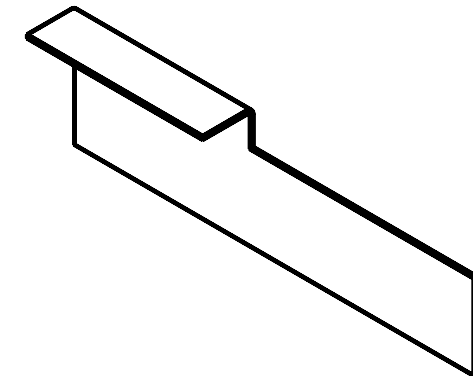
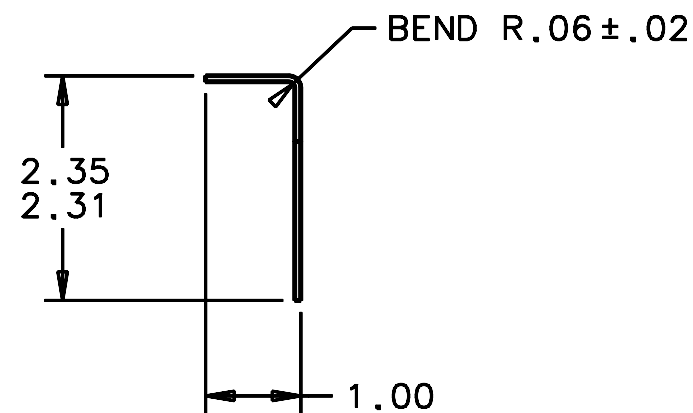


REVISIONS				
LTR	DESCRIPTION	DATE	REVISED BY	APPROVED
A	INITIAL RELEASE	05/09/05	J. BRENNAN	G. LANDIS



SCALE 1:2



SCALE NTS

NOTES:

1. 1 REQUIRED.
2. BREAK SHARP EDGES & DEBURR.
3. HEAT TREATMENT:
 - A. HEAT TREAT AT 315°C FOR 60 MINUTES IN AIR.
 - B. COOL TO ROOM TEMPERATURE IN AIR.
 - C. HOLD AT 95°C FOR 49 HOURS IN AIR.
 - D. COOL TO ROOM TEMPERATURE IN AIR.

DO NOT SCALE DRAWING INTERPRET DIMENSIONS AND TOLERANCES IN ACCORDANCE WITH ASME Y14.5M-94		THIS DRAWING CREATED IN: ACAD <input type="checkbox"/> MECH <input type="checkbox"/> IDEAS <input checked="" type="checkbox"/>			Steward Observatory, University of Arizona 933 N. Cherry Avenue, Tucson, AZ 85721 (520)621-7659			
TOLERANCES UNLESS OTHERWISE SPECIFIED LINEAR ANGULAR .X - MA ±1° .XX - .02 .XXX - MA DIAMETRICAL SEE SPEC S-002				DESIGNED BY: S. MATHEWS	DATE: 9/7/04	CATEGORY: MMT		
MATERIAL INVAR 36 ALLOY, 16 B.G. (.0625)		13597	MMT-MAESTRO	DRAWN BY: R. NAGY	10/13/04	PROJECT: MAESTRO		
FINISH NONE		NEXT ASSY	USED ON	CHECKED BY: G. LANDIS	03/21/05	TITLE: GRATING CELL-STRUCTURAL WALL CLADDING-INBOARD-LEFT		
ASSEMBLY APPLICATION				APPROVED: M. REED	05/09/05	PLOT SIZE	SCALE:	
				APPROVED: J. BECHTOLD	05/09/05	B	-	
				APPROVED: R. WARNER	05/09/05	DRAWING NUMBER:	REVISION:	
				CURRENT TIME/DATE/FILE LOCATION:		14191	A	
				DRAWING ARCHIVE LOCATION: http://devinci1.cs.arizona.edu/ocod/default.html		SHEET 1 OF 1		