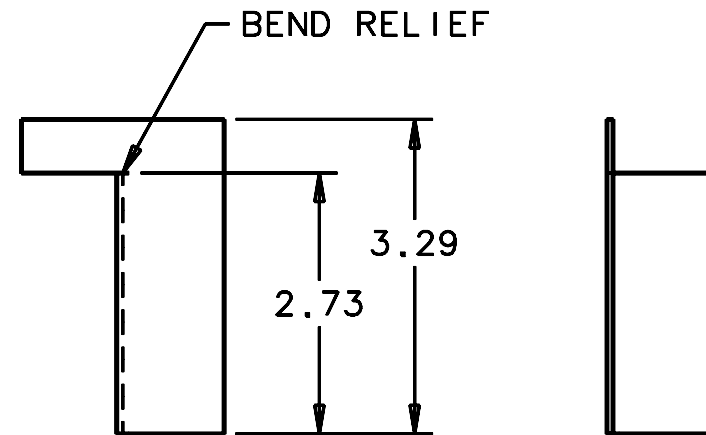
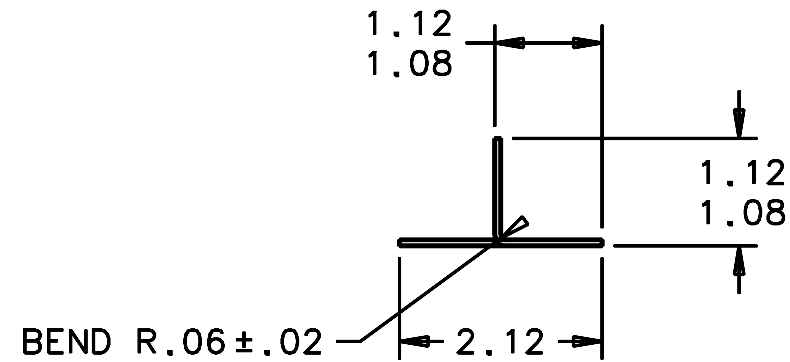
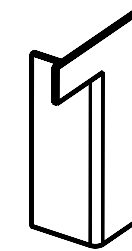


REVISIONS				
LTR	DESCRIPTION	DATE	REVISED BY	APPROVED
A	INITIAL RELEASE	05/09/05	J. BRENNAN	G. LANDIS



SCALE 1:2



SCALE NTS

NOTES:

- 1 REQUIRED.
- BREAK SHARP EDGES & DEBURR.
- HEAT TREATMENT: A. HEAT TREAT AT 315°C FOR 60 MINUTES IN AIR.
B. COOL TO ROOM TEMPERATURE IN AIR.
C. HOLD AT 95°C FOR 49 HOURS IN AIR.
D. COOL TO ROOM TEMPERATURE IN AIR.

DO NOT SCALE DRAWING INTERPRET DIMENSIONS AND TOLERANCES IN ACCORDANCE WITH ASME Y14.5M-94	THIS DRAWING CREATED IN:			Steward Observatory, University of Arizona 933 N. Cherry Avenue, Tucson, AZ 85721 (520)621-7659					
	ACAD <input type="checkbox"/>	MECH <input type="checkbox"/>	IDEAS <input checked="" type="checkbox"/>	DESIGNED BY: S. MATHEWS	DATE: 9/7/04	CATEGORY: MMT			
TOLERANCES UNLESS OTHERWISE SPECIFIED LINEAR ANGULAR .X = NA ±1° .XX = ±.02 .XXX = NA DIAMETRICAL SEE SPEC S-002				DRAWN BY: R. NAGY	10/15/04	PROJECT: MAESTRO			
				CHECKED BY: G. LANDIS	03/21/05	TITLE: GRATING CELL-STRUCTURAL CORNER CLIP-INBOARD- BOTTOM LEFT			
MATERIAL INVAR 36 ALLOY, 16 B.G. (.0625)				APPROVED: M. REED	05/09/05				
				APPROVED: J. BECHTOLD	05/09/05				
FINISH NONE	ASSEMBLY APPLICATION			APPROVED: R. WARNER	05/09/05	PLOT SIZE B	SCALE: -	DRAWING NUMBER: 14189	REVISION: A
				CURRENT TIME/DATE/FILE LOCATION:				SHEET 1 OF 1	
				DRAWING ARCHIVE LOCATION: http://devinct.oe.arizona.edu/ocad/default.html					