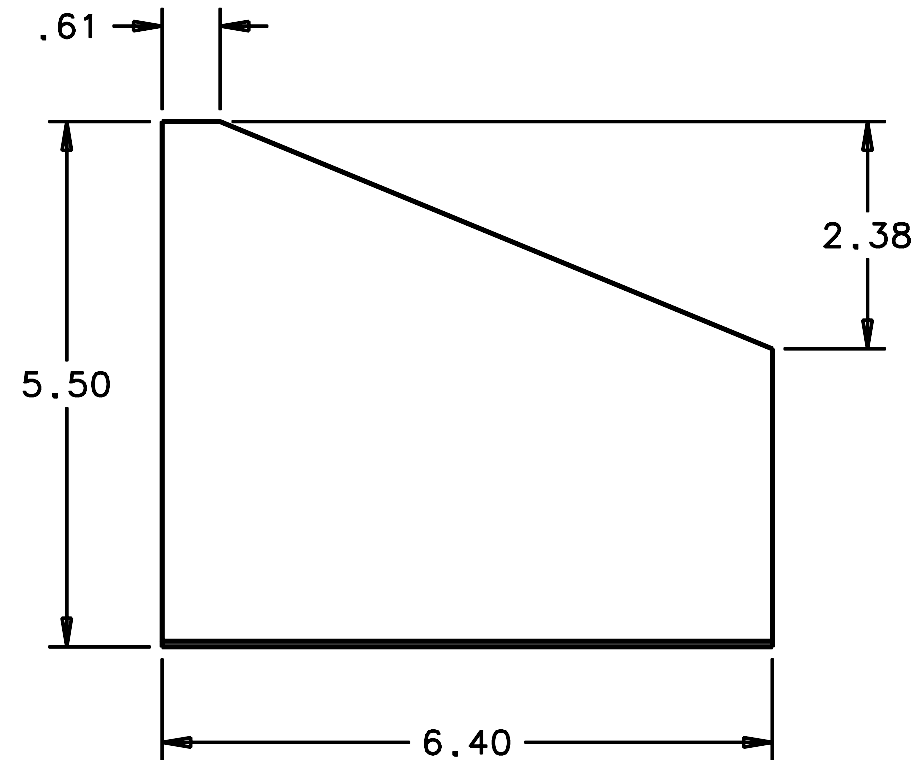
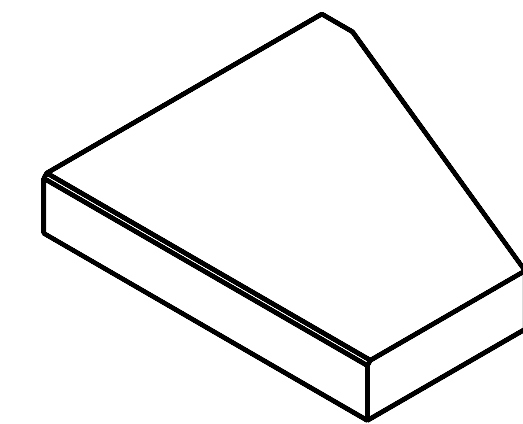
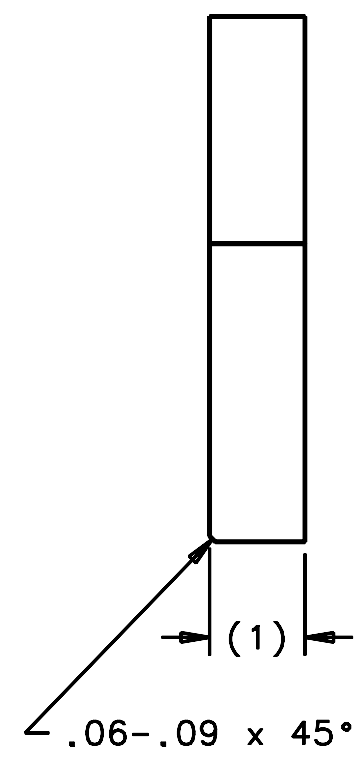


REVISIONS				
LTR	DESCRIPTION	DATE	REVISED BY	APPROVED
A	INITIAL RELEASE	3/22/05	R. NAGY	G. LANDIS



SCALE 1:2



SCALE NTS

NOTES:

- 1 MATERIAL: MAKE FROM BLANK AS CUT FROM 13594 COMPOSITE PANEL PART LAYOUT.
2. BREAK SHARP EDGES.
3. (1) REQUIRED PER NEXT ASSEMBLY.

DO NOT SCALE DRAWING INTERPRET DIMENSIONS AND TOLERANCES IN ACCORDANCE WITH ASME Y14.5M-94		THIS DRAWING CREATED IN: ACAD <input type="checkbox"/> MECH <input type="checkbox"/> IDEAS <input checked="" type="checkbox"/>			Steward Observatory, University of Arizona 933 N. Cherry Avenue, Tucson, AZ 85721 (520)621-7659			
TOLERANCES UNLESS OTHERWISE SPECIFIED LINEAR .X = NA .XX = 2.03 .XXX = NA ANGULAR ±1° DIAMETRICAL SEE SPEC S-002				DESIGNED BY: R. NAGY	DATE: 12/3/04	CATEGORY: MMT		
MATERIAL 1 13435				DRAWN BY: R. NAGY	12/6/04	PROJECT: MAESTRO		
FINISH NONE				CHECKED BY: G. LANDIS	3/21/05	TITLE: GRATING CELL PLATFORM CORNER BRACE 1		
ASSEMBLY APPLICATION				APPROVED: M. REED	3/22/05	DRAWING NUMBER: 13733		
				APPROVED: J. BECHTOLD	3/22/05	PLOT SIZE SCALE: B -		REVISION: A
				CURRENT TIME/DATE/FILE LOCATION:				SHEET 1 OF 1
				DRAWING ARCHIVE LOCATION: <a href="http://devinci.os.arizona.edu/ocod/default.html">http://devinci.os.arizona.edu/ocod/default.html</a>				