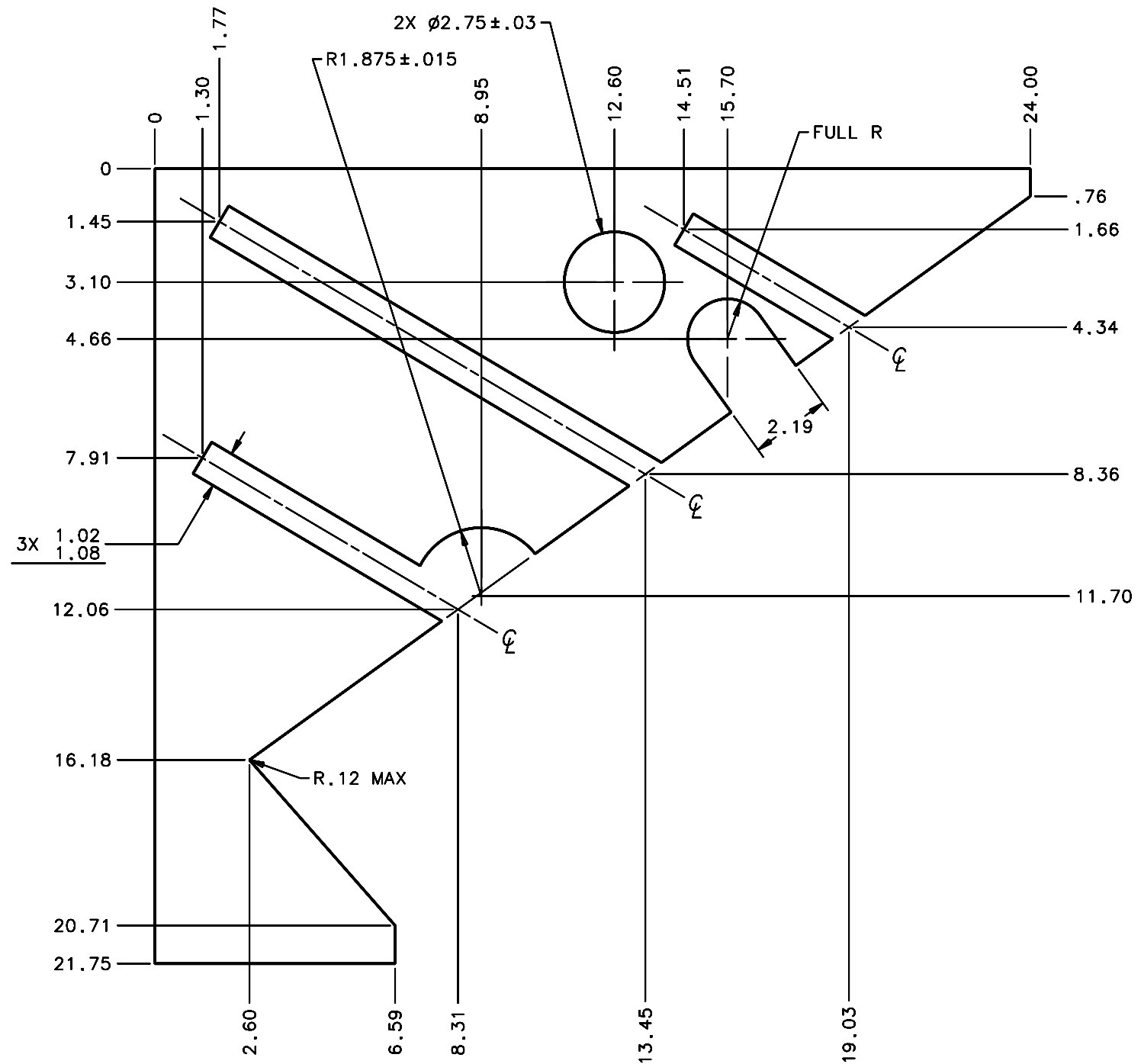
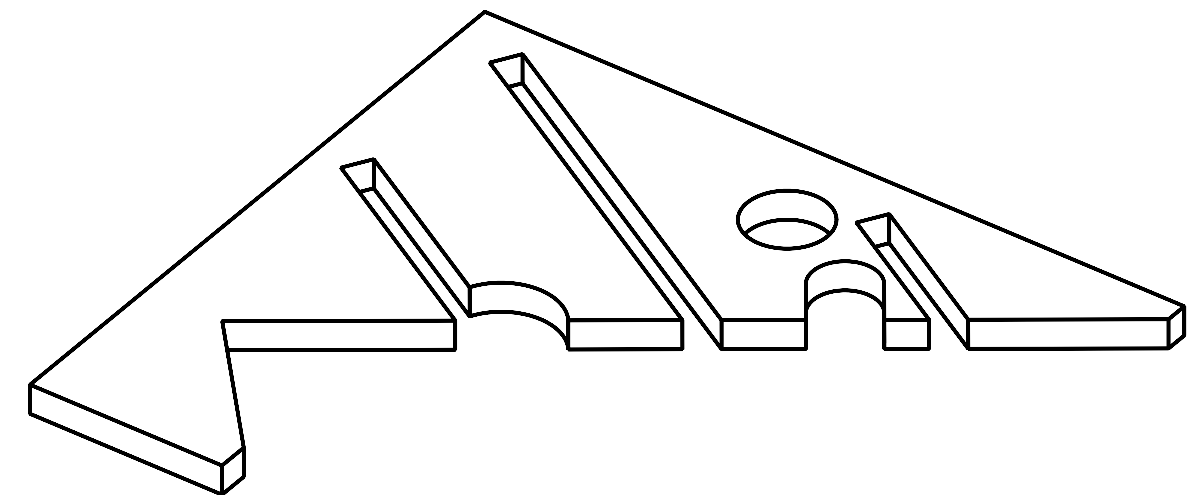
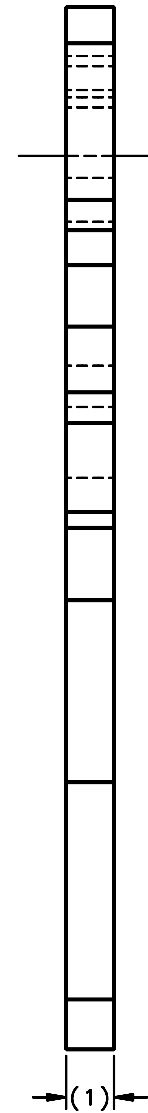


REVISIONS				
LTR	DESCRIPTION	DATE	REVISED BY	APPROVED
A	INITIAL RELEASE	3/22/05	R. NAGY	G. LANDIS



SCALE 1:2



SCALE NTS

NOTES:

- 1 MATERIAL: MAKE FROM BLANK AS CUT FROM 13594 COMPOSITE PANEL PART LAYOUT.
2. BREAK SHARP EDGES & DEBURR HOLES.
3. FILLETS TO BE R.015 MAX UNLESS OTHERWISE NOTED.
4. (1) REQUIRED PER NEXT ASSEMBLY.

DO NOT SCALE DRAWING INTERPRET DIMENSIONS AND TOLERANCES IN ACCORDANCE WITH ASME Y14.5M-94		THIS DRAWING CREATED IN: ACAD <input type="checkbox"/> MECH <input type="checkbox"/> IDEAS <input checked="" type="checkbox"/>		Steward Observatory, University of Arizona 933 N. Cherry Avenue, Tucson, AZ 85721 (520)621-7659	
TOLERANCES UNLESS OTHERWISE SPECIFIED LINEAR ANGLAR .X = NA .XX = ±.03 .XXX = NA DIAMETRICAL SEE SPEC S-002		DESIGNED BY: S. MATHEWS/D. DEAN		DATE: 9/22/03	
MATERIAL 1		DRAWN BY: R. NAGY		CATEGORY: MMT	
FINISH NONE		CHECKED BY: G. LANDIS		PROJECT: MAESTRO	
ASSEMBLY APPLICATION		APPROVED: M. REED		TITLE: GRATING CELL PLATFORM COVER	
		APPROVED: J. BECHTOLD		DRAWING NUMBER: 13732	
		CURRENT TIME/DATE/FILE LOCATION:		PLOT SIZE SCALE: D -	
		DRAWING ARCHIVE LOCATION: http://dovinc1.es.arizona.edu/ccod/default.html		REVISION: A	