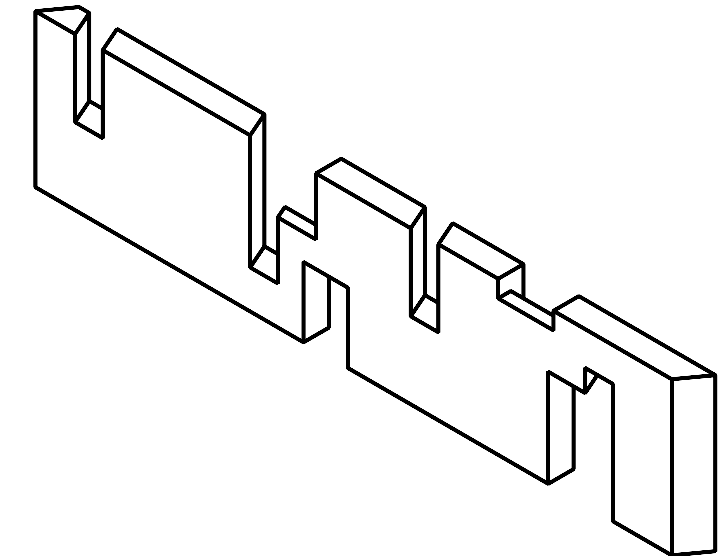
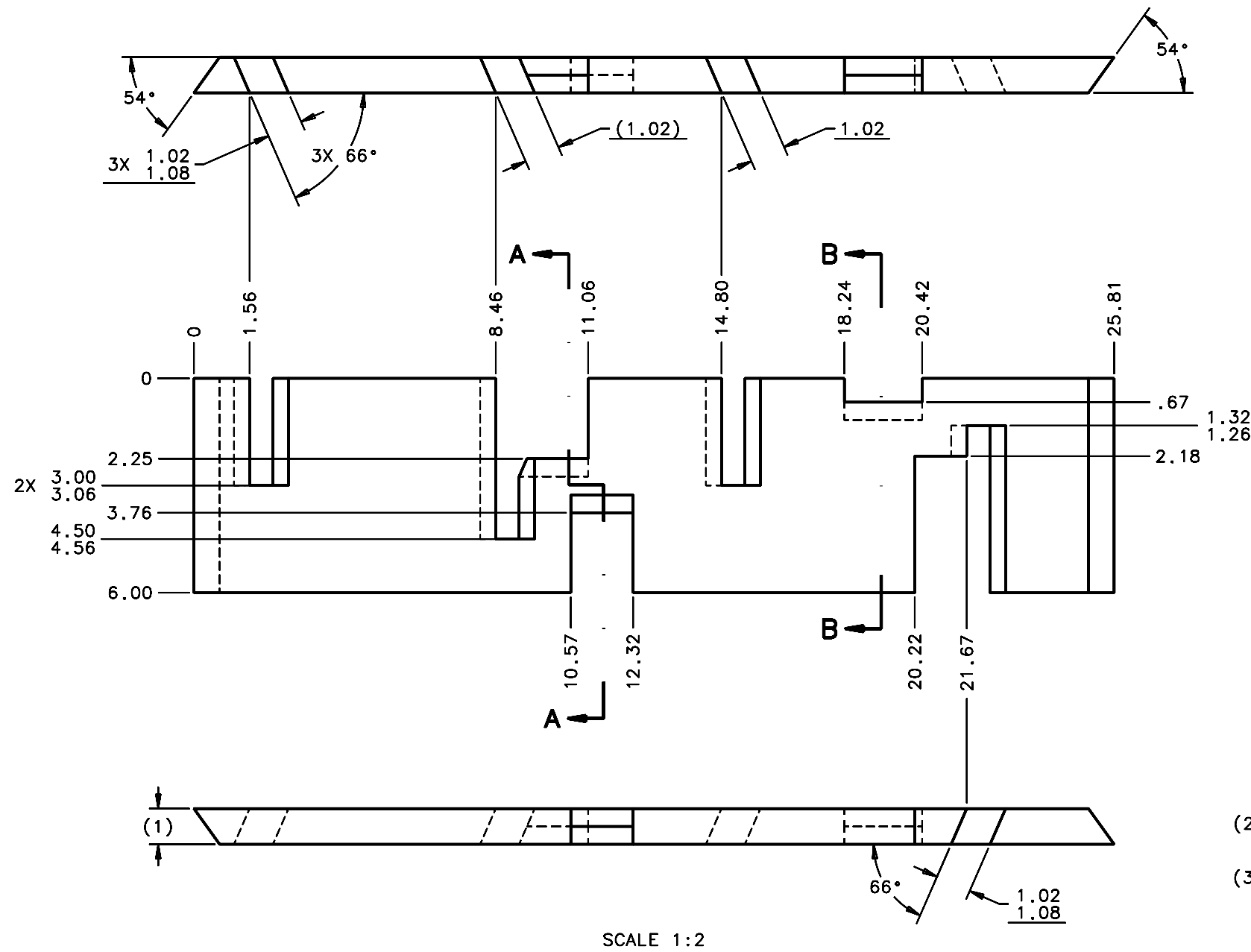
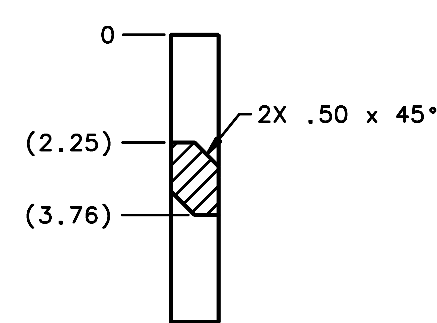


| REVISIONS |                 |         |            |           |
|-----------|-----------------|---------|------------|-----------|
| LTR       | DESCRIPTION     | DATE    | REVISED BY | APPROVED  |
| A         | INITIAL RELEASE | 3/22/05 | R. NAGY    | G. LANDIS |

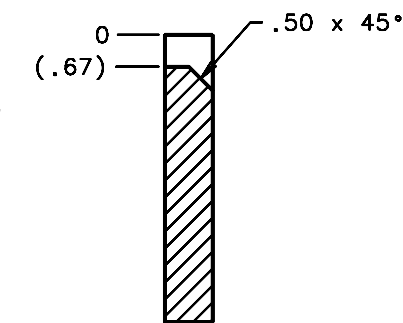


SCALE NTS



SECTION A-A

SCALE 1:2



SECTION B-B

SCALE 1:2

- NOTES:
- MATERIAL: MAKE FROM BLANK AS CUT FROM 13594 COMPOSITE PANEL PART LAYOUT.
  - BREAK SHARP EDGES.
  - FILLETS TO BE R.015 MAX.
  - (1) REQUIRED PER NEXT ASSEMBLY.

|  |  |   |  |  |  |
|--|--|---|--|--|--|
| DO NOT SCALE DRAWING<br>INTERPRET DIMENSIONS AND TOLERANCES IN ACCORDANCE WITH ASME Y14.5M-94                                  |  | THIS DRAWING CREATED IN:<br>ACAD <input type="checkbox"/> MECH <input type="checkbox"/> IDEAS <input checked="" type="checkbox"/>       |  | Steward Observatory, University of Arizona<br>933 N. Cherry Avenue, Tucson, AZ 85721 (520)621-7659 |  |
| TOLERANCES UNLESS OTHERWISE SPECIFIED<br>LINEAR .X = NA<br>.XX = ±.03<br>.XXX = NA<br>ANGULAR 1°<br>DIAMETRICAL SEE SPEC S-002 |  | DESIGNED BY: S. MATHEWS/D. DEAN<br>DATE: 9/1/04   |  | CATEGORY: MMT  |  |
| MATERIAL<br>①  |  | DRAWN BY: R. NAGY<br>DATE: 11/22/04   |  | PROJECT: MAESTRO   |  |
| FINISH<br>NONE   |  | CHECKED BY: G. LANDIS<br>DATE: 3/21/05  |  | TITLE: GRATING CELL PLATFORM FRAME BRACE 2   |  |
| ASSEMBLY APPLICATION   |  | APPROVED: M. REED<br>DATE: 3/22/05  |  | PLOT SIZE SCALE: D -   |  |
|  |  | APPROVED: J. BECHTOLD<br>DATE: 3/22/05  |  | DRAWING NUMBER: 13730  |  |
|  |  | CURRENT TIME/DATE/FILE LOCATION:  |  | REVISION: A  |  |
|  |  | DRAWING ARCHIVE LOCATION: <a href="http://dovinc1.as.arizona.edu/ocod/default.html">http://dovinc1.as.arizona.edu/ocod/default.html</a> |  | SHEET 1 OF 1   |  |