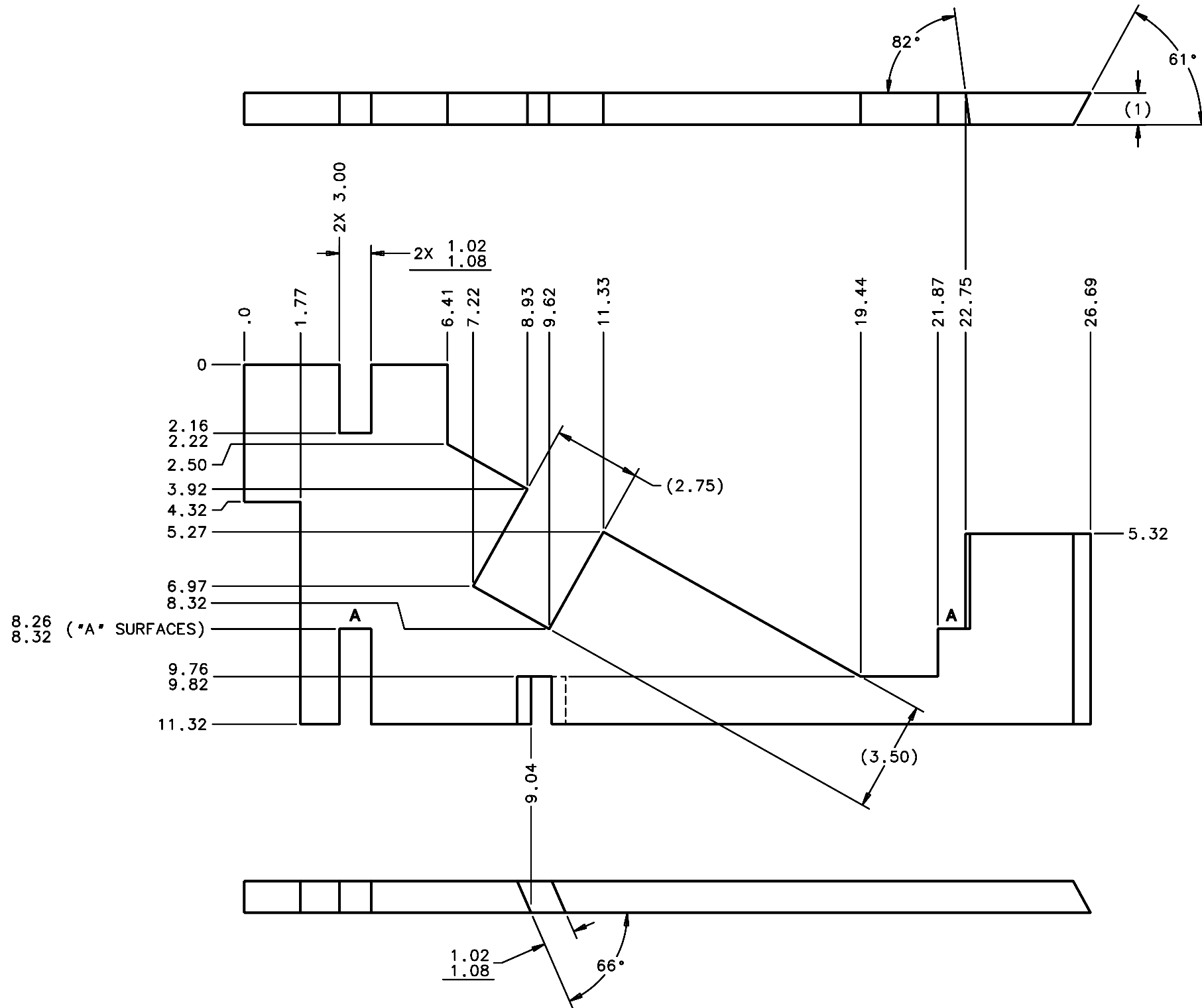
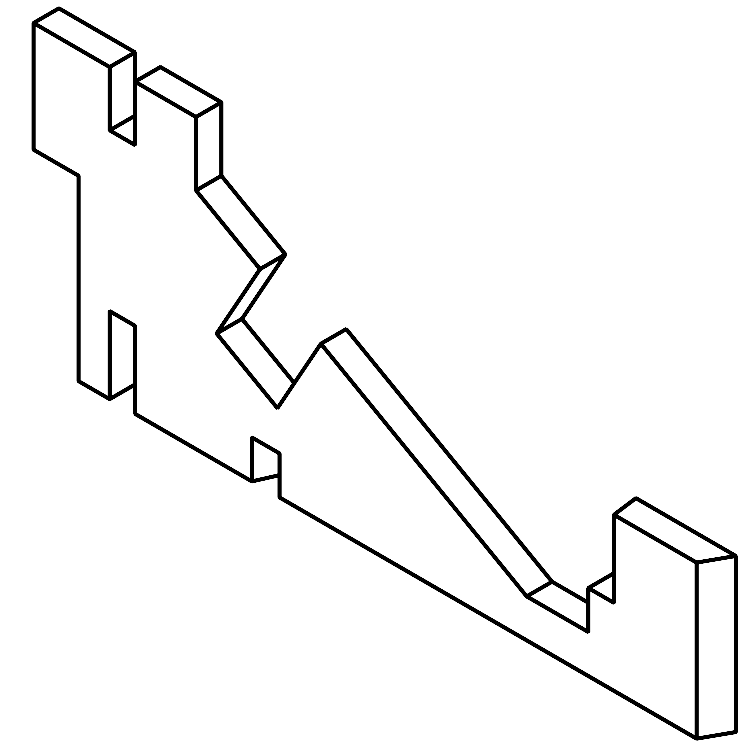


REVISIONS				
LTR	DESCRIPTION	DATE	REVISED BY	APPROVED
A	INITIAL RELEASE	3/22/05	R. NAGY	G. LANDIS



SCALE 1:2



SCALE NTS

NOTES:

- 1 MATERIAL: MAKE FROM INDIVIDUAL PIECE CUT FROM 13594 COMPOSITE PANEL PART LAYOUT.
2. BREAK SHARP EDGES.
3. FILLETS TO BE R.015 MAX.
4. (1) REQUIRED PER NEXT ASSEMBLY.

DO NOT SCALE DRAWING INTERPRET DIMENSIONS AND TOLERANCES IN ACCORDANCE WITH ASME Y14.5M-94		THIS DRAWING CREATED IN: ACAD <input type="checkbox"/> MECH <input type="checkbox"/> IDEAS <input checked="" type="checkbox"/>		Steward Observatory, University of Arizona 933 N. Cherry Avenue, Tucson, AZ 85721 (520)621-7659	
TOLERANCES UNLESS OTHERWISE SPECIFIED LINEAR .X = NA .XX = ±.03 .XXX = NA ANGULAR 1° DIAMETRICAL SEE SPEC S-002		DESIGNED BY: S. MATHEWS/D. DEAN	DATE: 9/28/04	CATEGORY: MMT	
MATERIAL 1		DRAWN BY: R. NAGY	11/19/04	PROJECT: MAESTRO	
FINISH NONE		CHECKED BY: G. LANDIS	3/21/05	TITLE: GRATING CELL PLATFORM GRATING CELL MOUNT SUPPORT 2	
ASSEMBLY APPLICATION		APPROVED: M. REED	3/22/05	PLOT SIZE SCALE: D -	
		APPROVED: J. BECHTOLD	3/22/05	DRAWING NUMBER: 13726	REVISION: A
		CURRENT TIME/DATE/FILE LOCATION:			SHEET 1 OF 1
		DRAWING ARCHIVE LOCATION: <a href="http://dovinc1.as.arizona.edu/ocod/default.html">http://dovinc1.as.arizona.edu/ocod/default.html</a>			