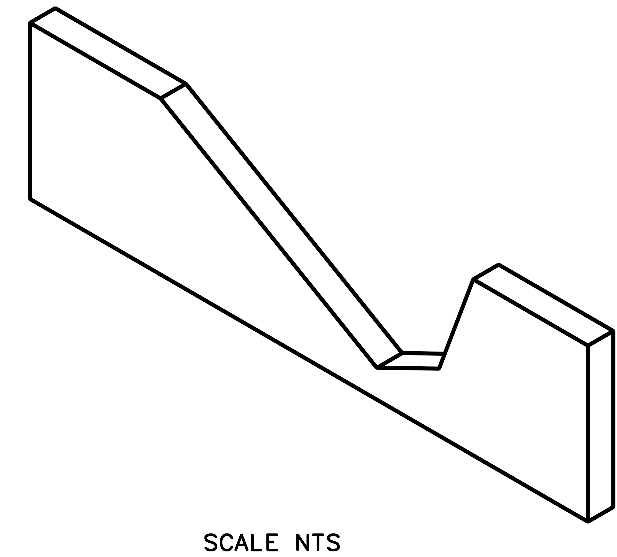
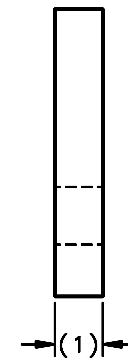
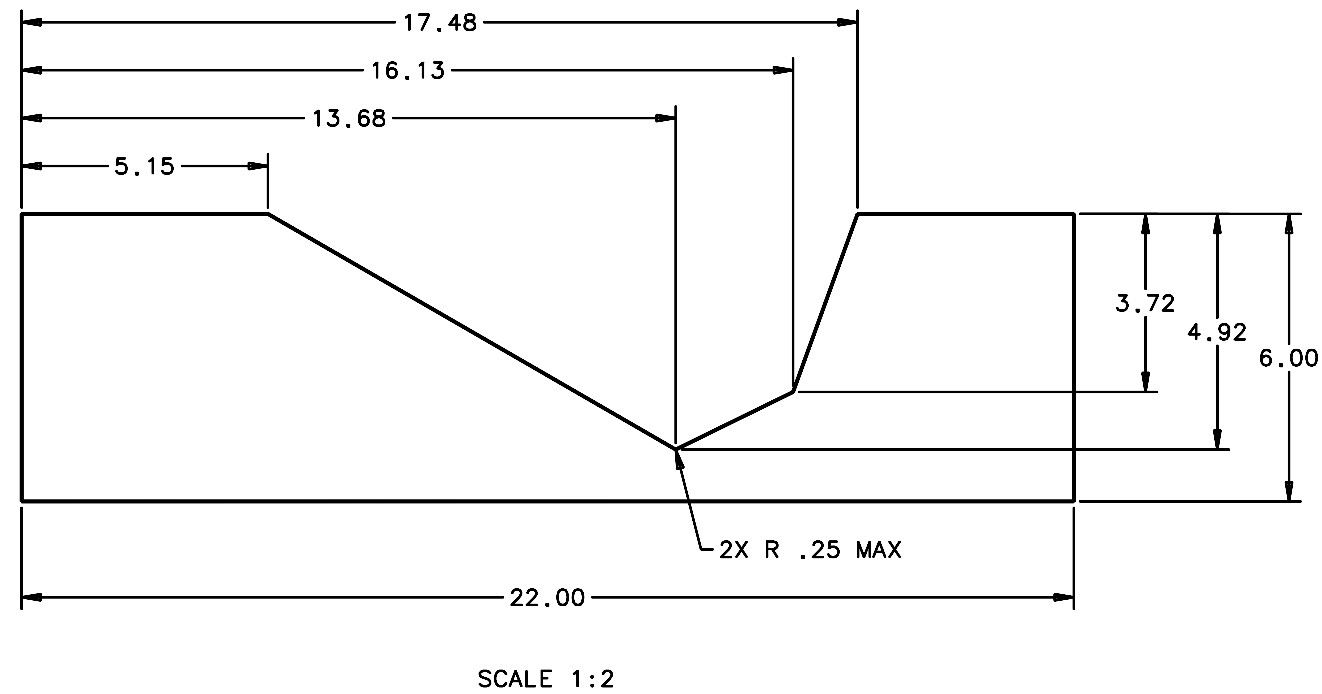


REVISIONS				
LTR	DESCRIPTION	DATE	REVISED BY	APPROVED
A	INITIAL RELEASE	3/22/05	R. NAGY	G. LANDIS



- NOTES:
- MATERIAL: MAKE FROM BLANK AS CUT FROM 13594 COMPOSITE PANEL PART LAYOUT.
 - BREAK SHARP EDGES.
 - (1) REQUIRED PER NEXT ASSEMBLY.

DO NOT SCALE DRAWING INTERPRET DIMENSIONS AND TOLERANCES IN ACCORDANCE WITH ASME Y14.5M-94		THIS DRAWING CREATED IN: ACAD <input type="checkbox"/> MECH <input type="checkbox"/> IDEAS <input checked="" type="checkbox"/>		Steward Observatory, University of Arizona 933 N. Cherry Avenue, Tucson, AZ 85721 (520)621-7659	
TOLERANCES UNLESS OTHERWISE SPECIFIED LINEAR .X = NA .XX = ±.03 .XXX = NA ANGULAR 1° DIAMETRICAL SEE SPEC S-002		DESIGNED BY: S. MATHEWS/D. DEAN	DATE: 2/28/04	CATEGORY: MMT	
MATERIAL ①		DRAWN BY: R. NAGY	11/18/04	PROJECT: MAESTRO	
FINISH NONE		CHECKED BY: G. LANDIS	3/21/05	TITLE: GRATING CELL PLATFORM LEFT WALL	
ASSEMBLY APPLICATION		APPROVED: M. REED	3/22/05	PLOT SIZE SCALE: D -	
		APPROVED: J. BECHTOLD	3/22/05	DRAWING NUMBER: 13724	REVISION: A
		CURRENT TIME/DATE/FILE LOCATION:			SHEET 1 OF 1
		DRAWING ARCHIVE LOCATION: http://dovinc1.as.arizona.edu/ocod/default.html			