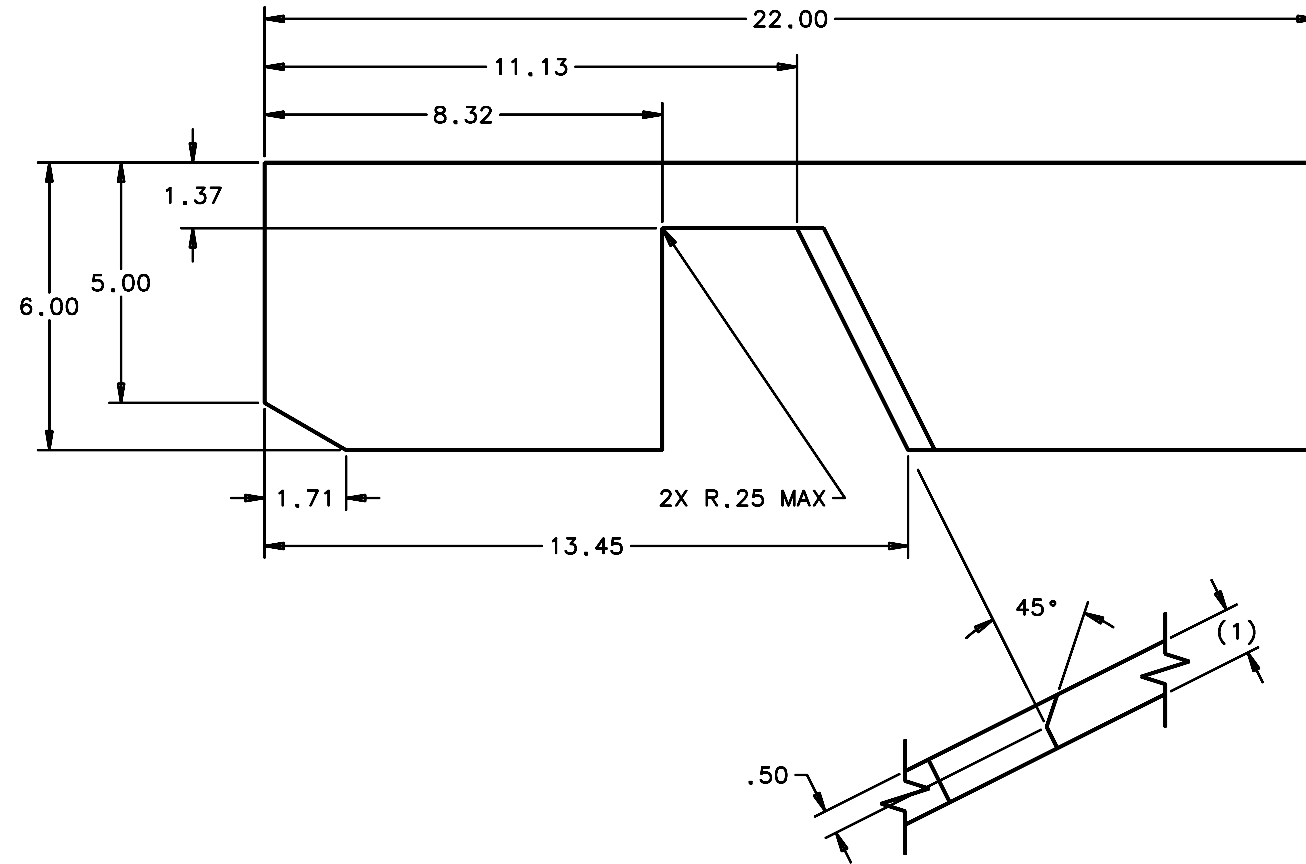
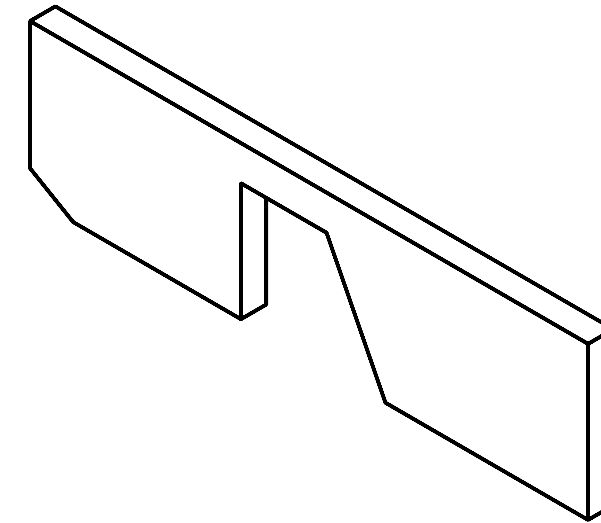


REVISIONS				
LTR	DESCRIPTION	DATE	REVISED BY	APPROVED
A	INITIAL RELEASE	3/22/05	R. NAGY	G. LANDIS
B	ADDED 1.71 BEVEL	9/14/05	R. NAGY	W. DAVISON



SCALE 1:2



SCALE NTS

NOTES:

- 1 MATERIAL: MAKE FROM BLANK AS CUT FROM 13594 COMPOSITE PANEL PART LAYOUT.
2. BREAK SHARP EDGES.
3. (1) REQUIRED PER NEXT ASSEMBLY.

DO NOT SCALE DRAWING INTERPRET DIMENSIONS AND TOLERANCES IN ACCORDANCE WITH ASME Y14.5M-94		THIS DRAWING CREATED IN: ACAD <input type="checkbox"/> MECH <input type="checkbox"/> IDEAS <input checked="" type="checkbox"/>		Steward Observatory, University of Arizona 933 N. Cherry Avenue, Tucson, AZ 85721 (520)621-7659	
TOLERANCES UNLESS OTHERWISE SPECIFIED LINEAR .X = NA .XX = ±.03 .XXX = NA ANGULAR 1° DIAMETRICAL SEE SPEC S-002		DESIGNED BY: S. MATHEWS/D. DEAN DRAWN BY: R. NAGY CHECKED BY: G. LANDIS APPROVED: M. REED APPROVED: J. BECHTOLD		DATE: 2/27/04 CATEGORY: MMT PROJECT: MAESTRO TITLE: GRATING CELL PLATFORM RIGHT WALL	
MATERIAL 1		13435 MMT NEXT ASSY USED ON		PLOT SIZE SCALE: D - DRAWING NUMBER: 13723 REVISION: B	
FINISH NONE		ASSEMBLY APPLICATION		CURRENT TIME/DATE/FILE LOCATION: DRAWING ARCHIVE LOCATION: <a href="http://dovinc1.es.arizona.edu/ocod/default.html">http://dovinc1.es.arizona.edu/ocod/default.html</a>	