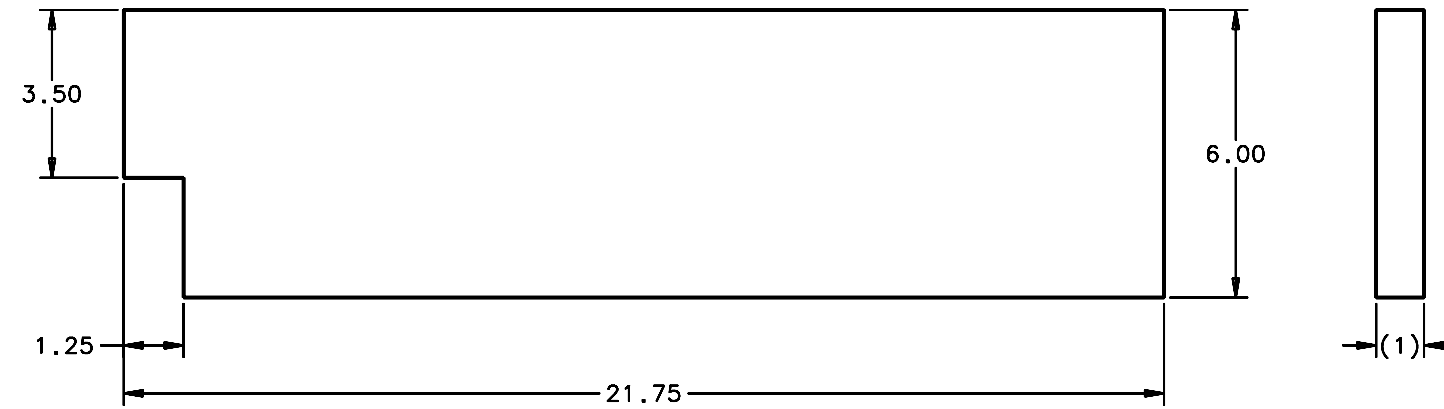
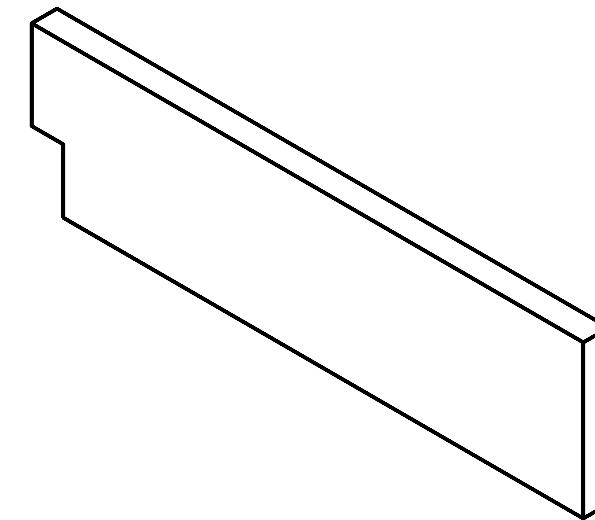


REVISIONS				
LTR	DESCRIPTION	DATE	REVISED BY	APPROVED
A	INITIAL RELEASE	3/22/05	R. NAGY	G. LANDIS
B	ADDED 1.25 NOTCH	9/14/05	R. NAGY	W. DAVISON



SCALE 1:2



SCALE NTS

NOTES:

- 1 MATERIAL: MAKE FROM BLANK AS CUT FROM 13594 COMPOSITE PANEL PART LAYOUT.
2. BREAK SHARP EDGES.
3. (1) REQUIRED PER NEXT ASSEMBLY.

DO NOT SCALE DRAWING INTERPRET DIMENSIONS AND TOLERANCES IN ACCORDANCE WITH ASME Y14.5M-94		THIS DRAWING CREATED IN: ACAD <input type="checkbox"/> MECH <input type="checkbox"/> IDEAS <input checked="" type="checkbox"/>		Steward Observatory, University of Arizona 933 N. Cherry Avenue, Tucson, AZ 85721 (520)621-7659	
TOLERANCES UNLESS OTHERWISE SPECIFIED LINEAR .X = NA .XX = ±.03 .XXX = NA ANGULAR 1° DIAMETRICAL SEE SPEC S-002		DESIGNED BY: S. MATHEWS/D. DEAN DATE: 9/22/03		CATEGORY: MMT	
MATERIAL 1		DRAWN BY: R. NAGY DATE: 2/28/04		PROJECT: MAESTRO	
FINISH NONE		CHECKED BY: G. LANDIS DATE: 3/21/05		TITLE: GRATING CELL PLATFORM TOP WALL	
ASSEMBLY APPLICATION		APPROVED: M. REED DATE: 3/22/05		DRAWING NUMBER: 13721	
		APPROVED: J. BECHTOLD DATE: 3/22/05		REVISION: B	
		CURRENT TIME/DATE/FILE LOCATION:		PLOT SIZE SCALE: D -	
		DRAWING ARCHIVE LOCATION: http://dovinc1.es.arizona.edu/ocod/default.html		SHEET 1 OF 1	