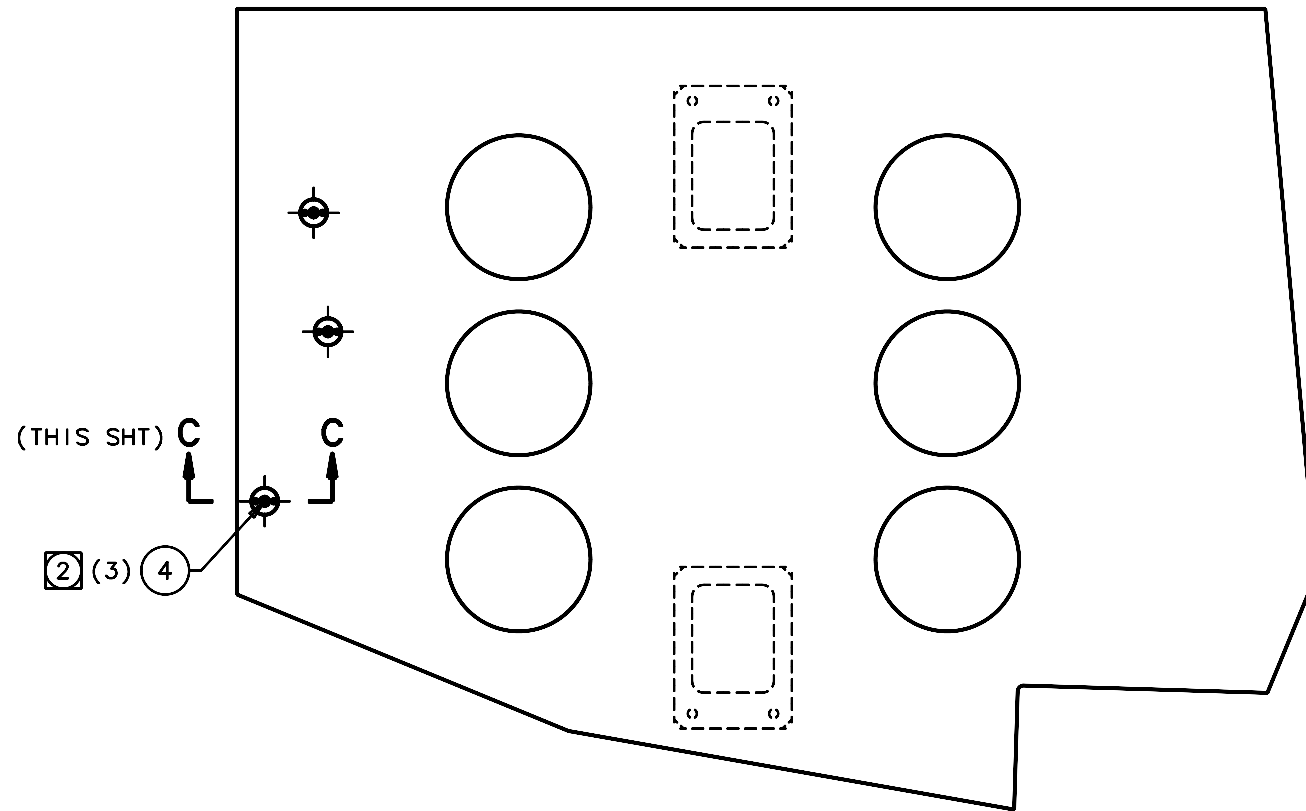
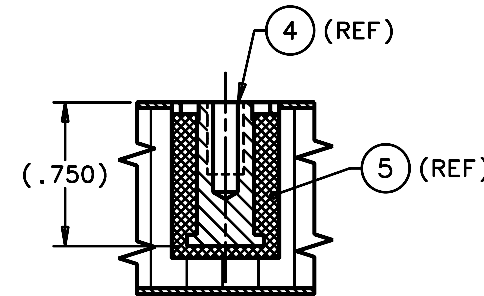


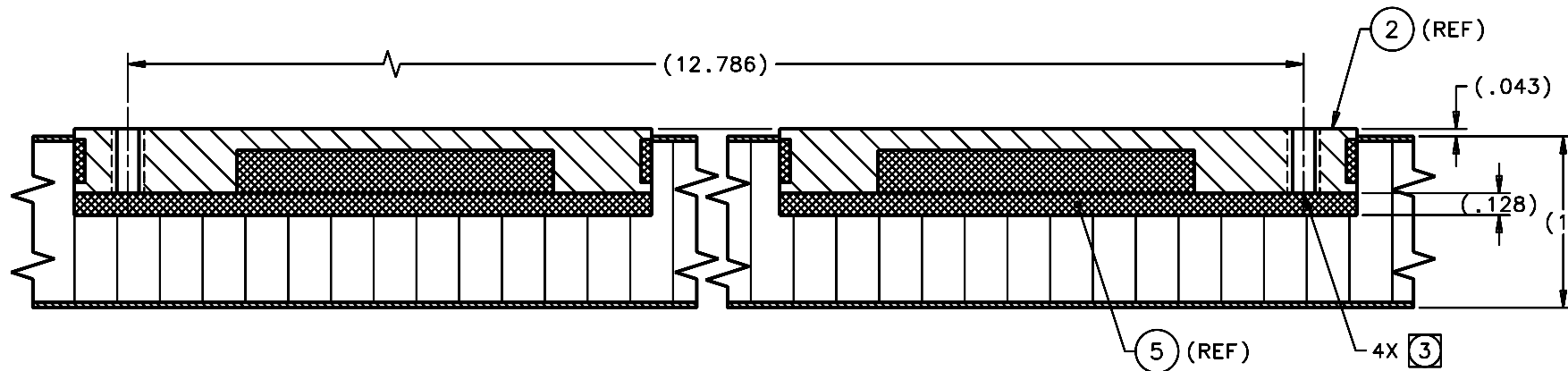
REVISIONS				
LTR	DESCRIPTION	DATE	REVISED BY	APPROVED
A	INITIAL RELEASE	5/9/05	R. NAGY	G. LANDIS
B	ITEM 4 INSERT WAS . . .-3N7 (.875 LG)	6/2/05	R. NAGY	R. WARNER



**VIEW A-A**  
(SHT 1)  
SCALE 1:2



**(3X) SECTION C-C**  
(THIS SHT)  
SCALE 2:1



**SECTION B-B**  
(SHT 1)  
SCALE 2:1  
ROTATED 90° CW

DO NOT SCALE DRAWING INTERPRET DIMENSIONS AND TOLERANCES IN ACCORDANCE WITH ASME Y14.5M-94		THIS DRAWING CREATED IN: ACAD <input type="checkbox"/> MECH <input type="checkbox"/> IDEAS <input checked="" type="checkbox"/>		Steward Observatory, University of Arizona 933 N. Cherry Avenue, Tucson, AZ 85721 (520)621-7659	
TOLERANCES UNLESS OTHERWISE SPECIFIED LINEAR .1 = NA .05 = NA .03 = NA .02 = NA ANGULAR NA DIAMETRICAL SEE SPEC S-002 DIMENSIONS ARE IN INCHES / DIMENSIONS IN 1:1 ARE METRIC		DESIGNED BY: S. MATHEWS/R. N.	DATE: 12/3/04	CATEGORY: MMT	
MATERIAL -		DRAWN BY: R. NAGY	12/6/04	PROJECT: MAESTRO	
FINISH -		CHECKED BY: G. LANDIS	3/21/05	TITLE: GRATING CELL PLATFORM GRATING CELL MOUNT W/INSERTS	
ASSEMBLY APPLICATION		APPROVED: M. REED	5/9/05	PLOT SIZE SCALE: D -	
CURRENT TIME/DATE/FILE LOCATION:		APPROVED: J. BECHTOLD	5/9/05	DRAWING NUMBER: 13719	REVISION: B
DRAWING ARCHIVE LOCATION: <a href="http://devinci.as.arizona.edu/ccad/default.html">http://devinci.as.arizona.edu/ccad/default.html</a>		ASSEMBLY APPLICATION		SHEET 2 OF 2	