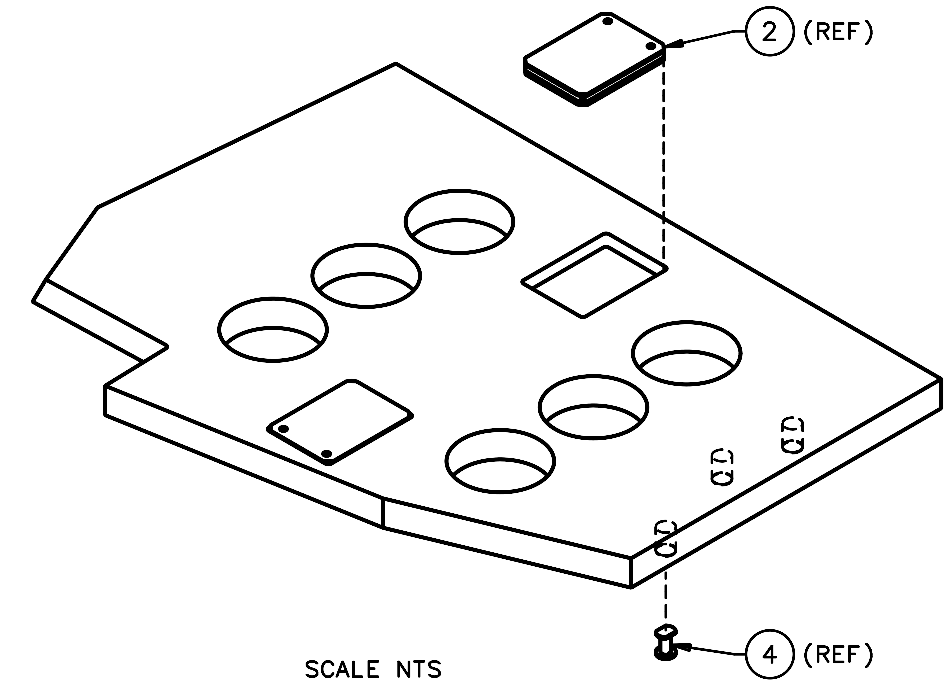
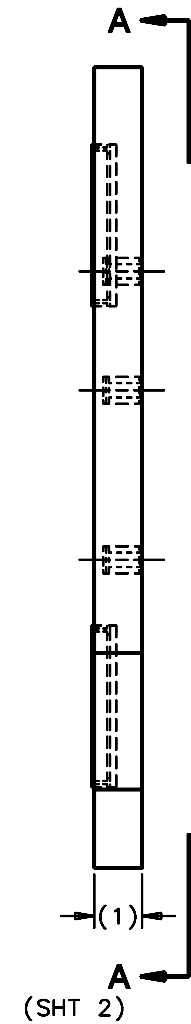
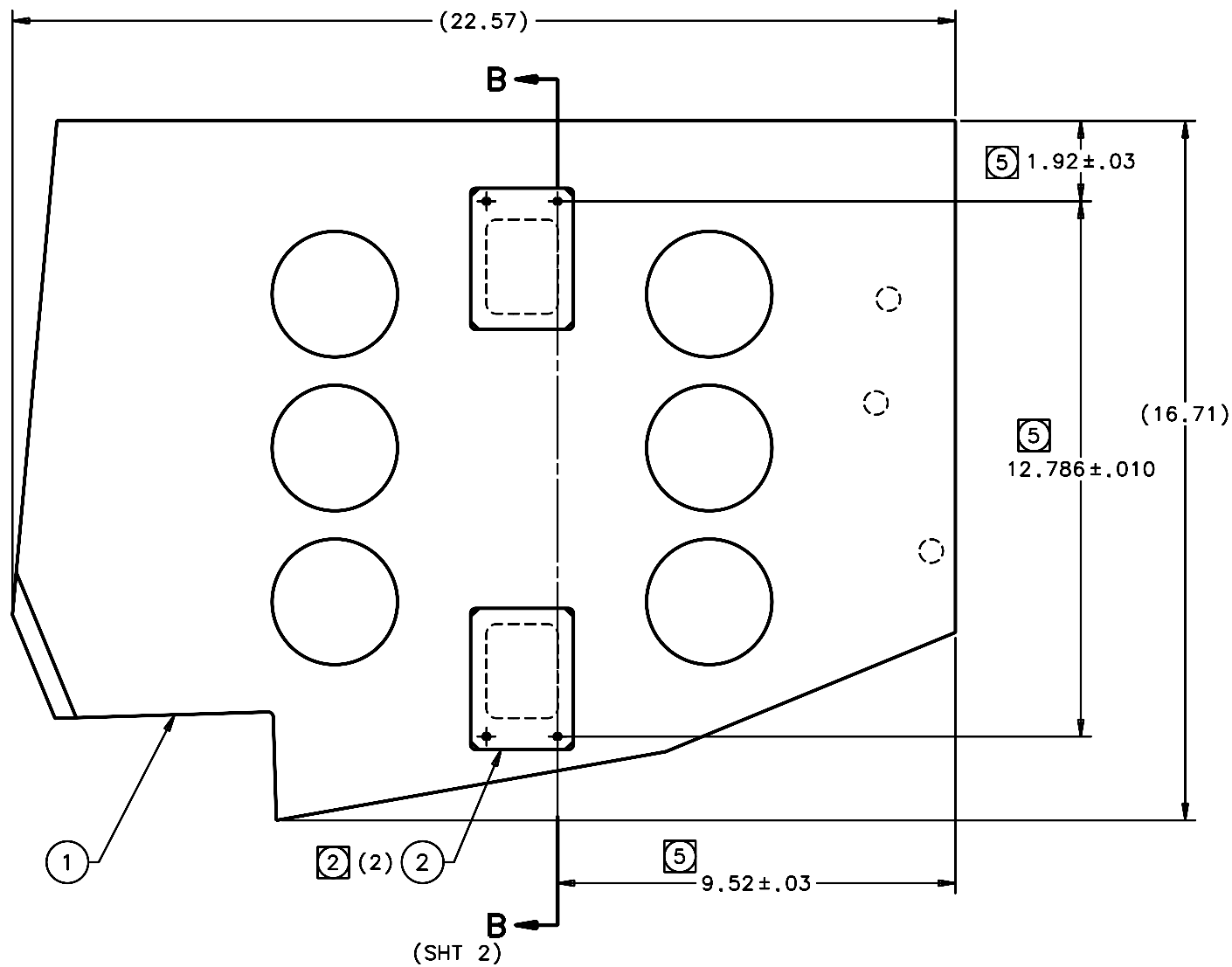


REVISIONS				
LTR	DESCRIPTION	DATE	REVISED BY	APPROVED
A	INITIAL RELEASE	5/9/05	R. NAGY	G. LANDIS
B	ITEM 4 INSERT WAS . . .-3N7 (.875 LG)	6/2/05	R. NAGY	R. WARNER



SCALE 1:2

NOTES:

- REQUIRED DOCUMENTS:
 - SP14038 INSERT SPECIFICATION/INSTALLATION FOR MAESTRO COMPOSITE PANEL
- POT ITEMS 2 & 4 IN PLACE USING ITEM 5 ADHESIVE.
- ITEM 5 ADHESIVE MUST NOT FLOW INTO ITEM 2 TAPPED HOLES DURING POTTING.
- ITEM 4 INSERT INCLUDES ADHESIVE-BACKED NAS1837 INSTALLATION TAB.
- TO MAINTAIN INDEXING OF ITEM 2 FLEX BLOCK MOUNTS TO EACH OTHER & EDGES SHOWN WHEN BONDING IN PLACE, FIXTURE AS REQUIRED DURING CURING.
- (1) REQUIRED PER NEXT ASSEMBLY.

QTY PER ASSY	-3	-2	-1	PART NUMBER	PART DESCRIPTION	MANUFACTURER or MAT'L SPEC	ITEM NO.
				AR	TBD	ADHESIVE	5
				3	NAS1832-3N6	INSERT, MOLDED IN, BLIND THD, NON-LOCK, .190-32 x .750 LG, STL, CAD PLT OR EQUIVALENT	4
							3
				2	14500	FLEX BLOCK MOUNT	2
				1	13736	GRATING CELL MOUNT	1

DO NOT SCALE DRAWING		THIS DRAWING CREATED IN:		Steward Observatory, University of Arizona 933 N. Cherry Avenue, Tucson, AZ 85721 (520)621-7659			
INTERPRET DIMENSIONS AND TOLERANCES IN ACCORDANCE WITH ASME Y14.5M-94		ACAD	MECH	IDEAS	DESIGNED BY:	DATE:	CATEGORY:
TOLERANCES UNLESS OTHERWISE SPECIFIED		<input type="checkbox"/>	<input type="checkbox"/>	<input checked="" type="checkbox"/>	S. MATHEWS/R. N.	12/3/04	MMT
LINEAR					DRAWN BY:	DATE:	PROJECT:
ANGULAR					R. NAGY	12/6/04	MAESTRO
.1 - NA					CHECKED BY:	DATE:	TITLE:
.25 - NA					G. LANDIS	3/21/05	GRATING CELL PLATFORM
.5 - NA					APPROVED:	DATE:	GRATING CELL MOUNT W/INSERTS
DIAMETRICAL SEE SPEC S-002					M. REED	5/9/05	
DIMENSIONS ARE IN INCHES / DIMENSIONS IN 1.2 ARE METRIC					APPROVED:	DATE:	
MATERIAL					J. BECHTOLD	5/9/05	
	13718		MMT		APPROVED:		
	NEXT ASSY		USED ON		APPROVED:		
FINISH							
	ASSEMBLY APPLICATION						

CURRENT TIME/DATE/FILE LOCATION:	PLOT SIZE SCALE:	DRAWING NUMBER:	REVISION:
DRAWING ARCHIVE LOCATION: http://dovinci.as.arizona.edu/ccad/default.html	D -	13719	B