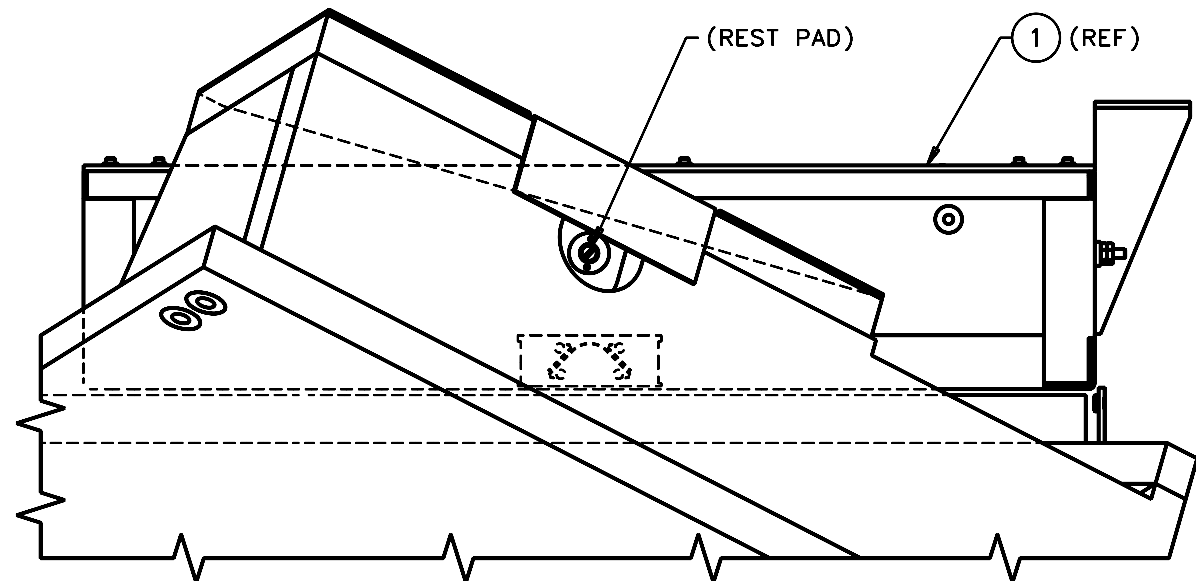
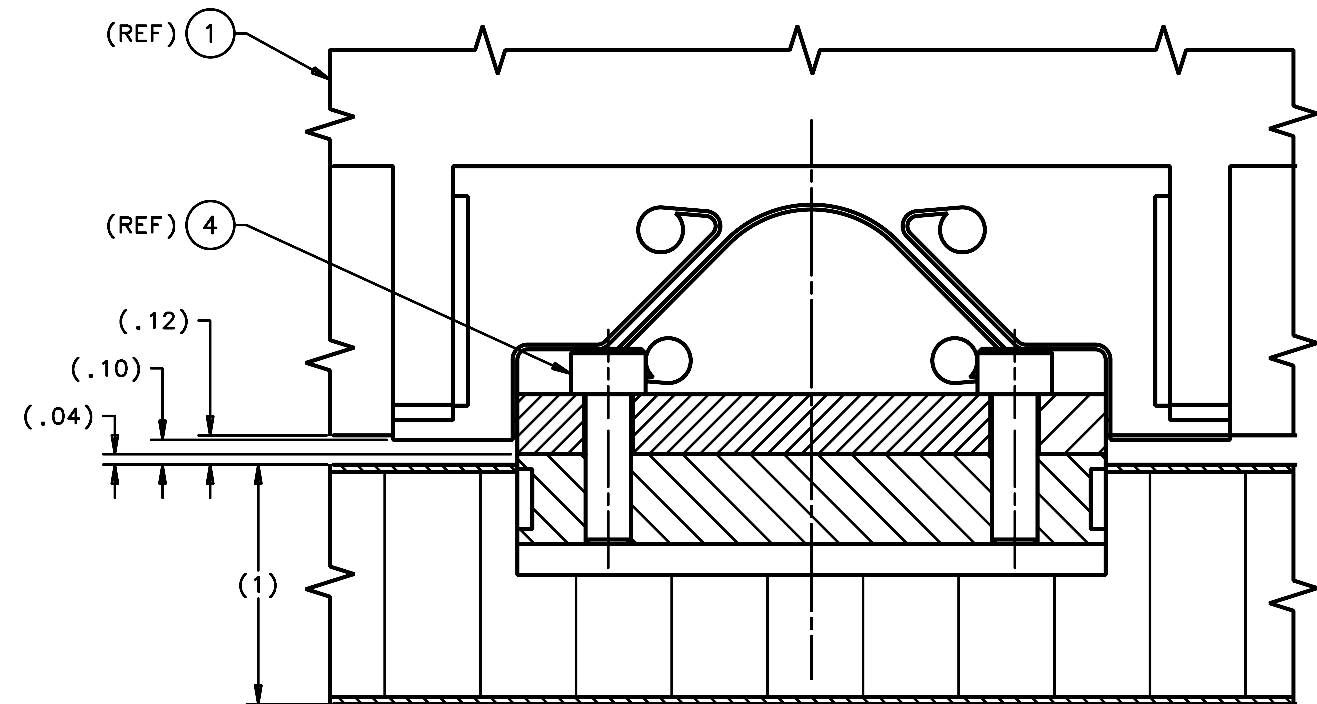


| REVISIONS |                             |         |            |            |
|-----------|-----------------------------|---------|------------|------------|
| LTR       | DESCRIPTION                 | DATE    | REVISED BY | APPROVED   |
| A         | INITIAL RELEASE             | 5/2/05  | R. NAGY    | G. LANDIS  |
| B         | UPDATED FOR ITEM 2 REVISION | 9/22/05 | R. NAGY    | W. DAVISON |



**DETAIL A**

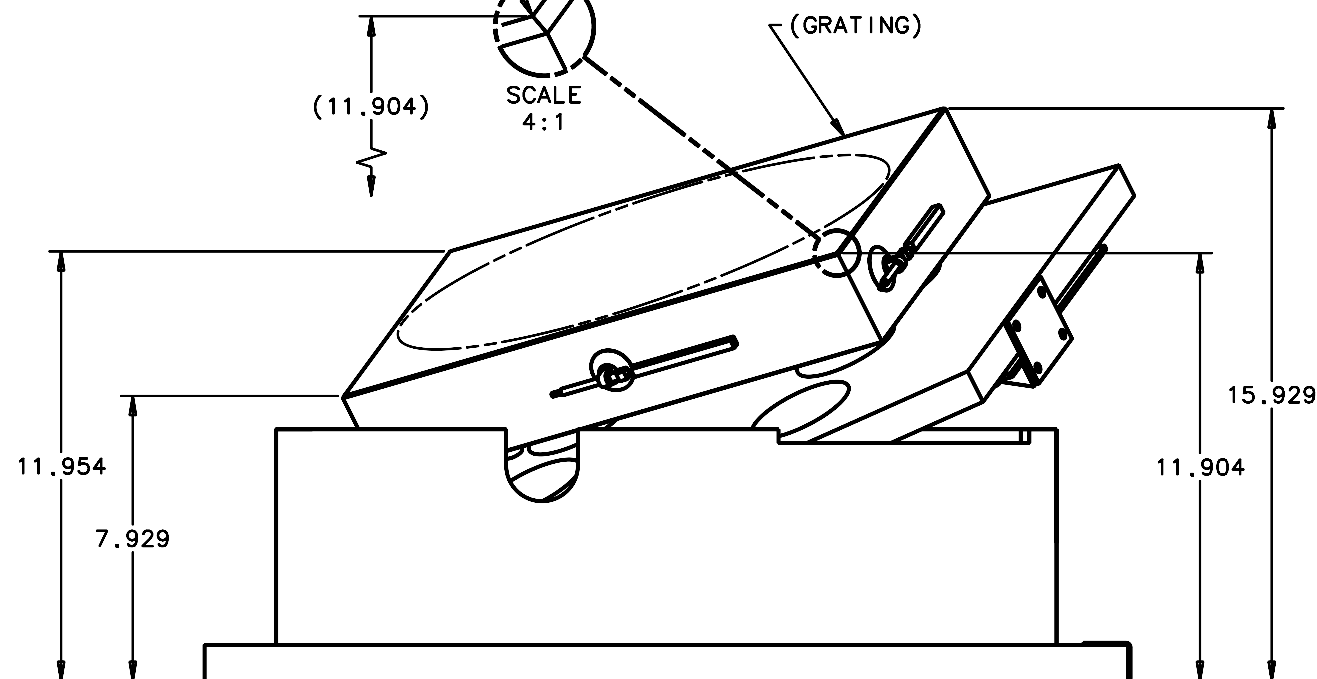
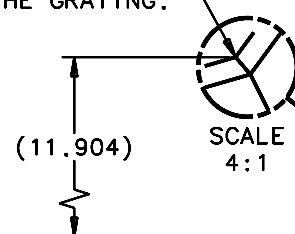
(SHT 1)  
SCALE 1:2  
ROTATED TO TRUE SIZE OF ITEM 1 GRATING CELL ASSEMBLY



**(2X) SECTION D-D**

(SHT 3)  
SCALE 2 1/2:1

DIMENSIONS ARE TO THIS POINT ON EACH CORNER OF THE GRATING.



**DETAIL E**

(SHT 1)  
SCALE 3:8  
GRATING SETUP;  
VARIOUS ITEMS OMITTED TO SHOW GRATING CORNERS;  
ANGLE FROM REFERENCE PLANE TO FRONT SURFACE OF GRATING = 31.86°  
(FINAL SETUP ANGLE FROM FRONT SURFACE OF GRATING TO TELESCOPE OPTICAL AXIS = 62.85°)

|   |  |   |                   |  |                |
|---|--|---|-------------------|--|----------------|
| DO NOT SCALE DRAWING<br>INTERPRET DIMENSIONS AND TOLERANCES IN ACCORDANCE WITH ASME Y14.5M-94   |  | THIS DRAWING CREATED IN:<br>ACAD <input type="checkbox"/> MECH <input type="checkbox"/> IDEAS <input checked="" type="checkbox"/> |                   | Steward Observatory, University of Arizona<br>933 N. Cherry Avenue, Tucson, AZ 85721 (520)621-7659 |                |
| TOLERANCES UNLESS OTHERWISE SPECIFIED<br>LINEAR ANGLULAR<br>.1 - NA<br>.2 - NA<br>.3 - NA<br>DIAMETRICAL<br>SEE SPEC S-002              |  | DESIGNED BY:<br>D. DEAN/S.M.  | DATE:<br>11/17/04 | CATEGORY: MMT  |                |
| MATERIAL<br>-   |  | DRAWN BY:<br>R. NAGY  | 12/14/04          | PROJECT: MAESTRO   |                |
| FINISH<br>-   |  | CHECKED BY:<br>G. LANDIS  | 3/21/05           | TITLE: GRATING CELL & PLATFORM SETUP ASSEMBLY  |                |
| ASSEMBLY APPLICATION  |  | APPROVED:<br>M. REED  | 5/2/05            | PLOT SIZE SCALE: D -   |                |
| CURRENT TIME/DATE/FILE LOCATION:  |  | APPROVED:<br>J. BECHTOLD  | 5/2/05            | DRAWING NUMBER:<br>13677   | REVISION:<br>B |
| DRAWING ARCHIVE LOCATION: <a href="http://dovinci.as.arizona.edu/ccad/default.html">http://dovinci.as.arizona.edu/ccad/default.html</a> |  | NEXT ASSY USED ON   |                   | SHEET 4 OF 4   |                |