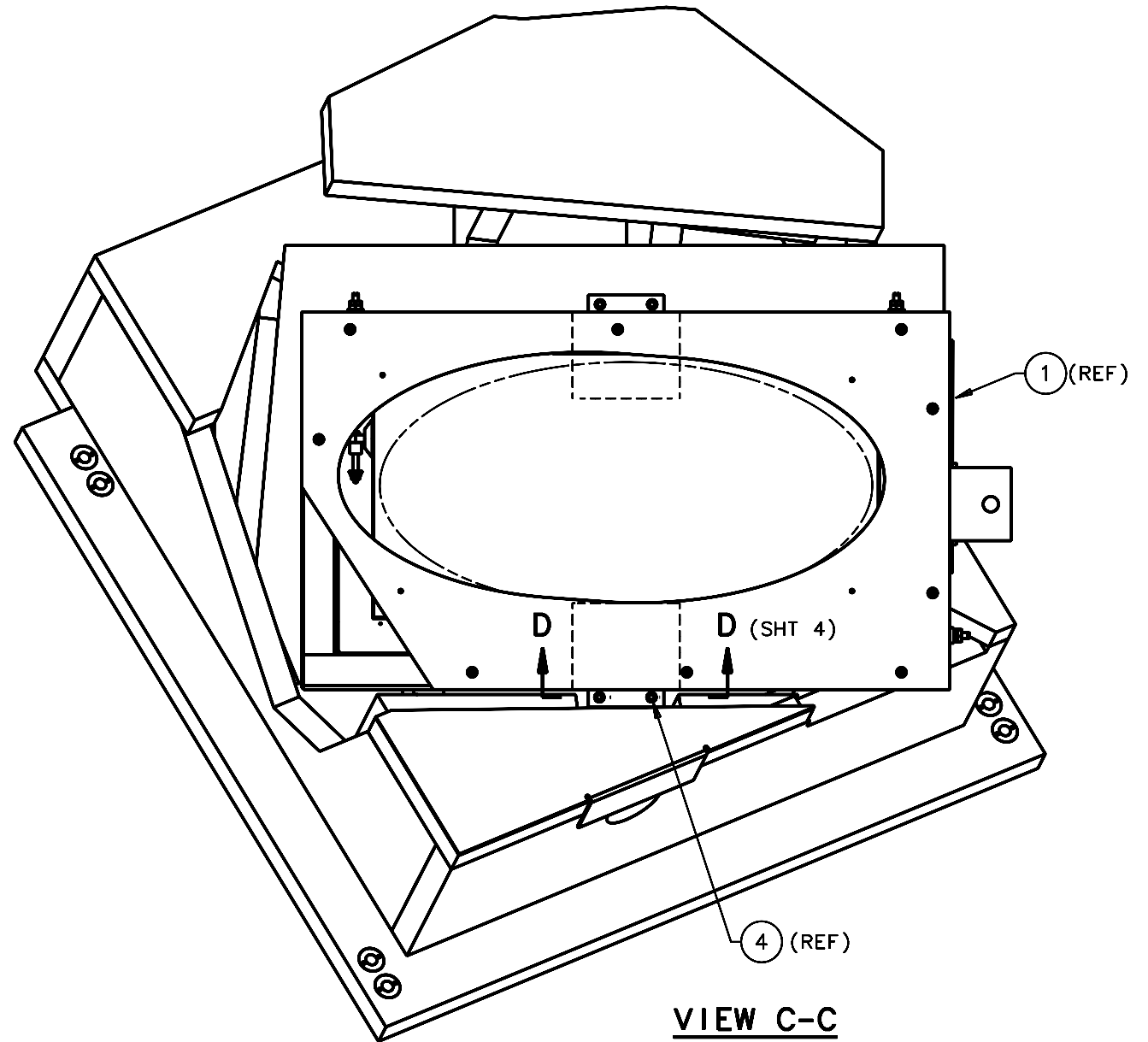
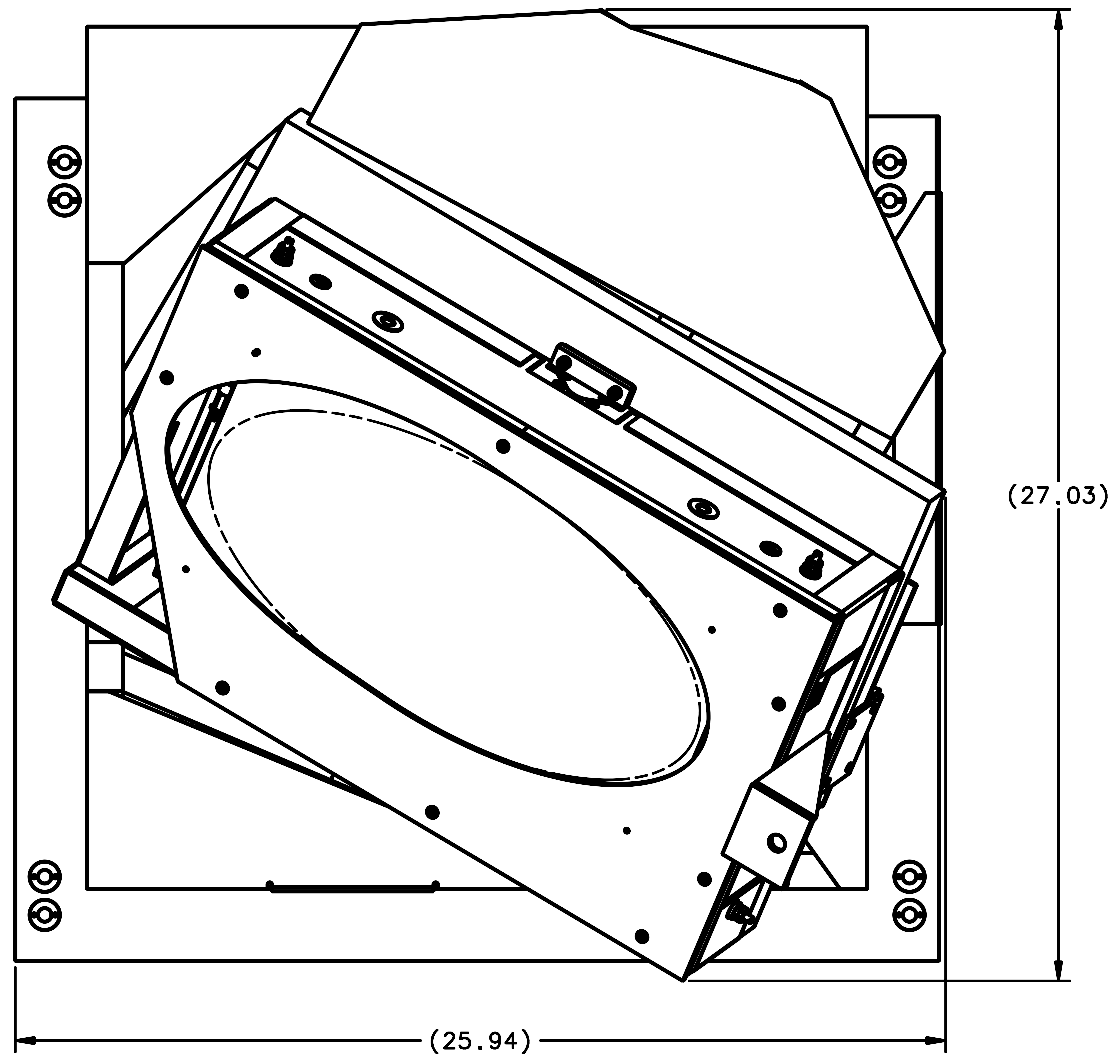
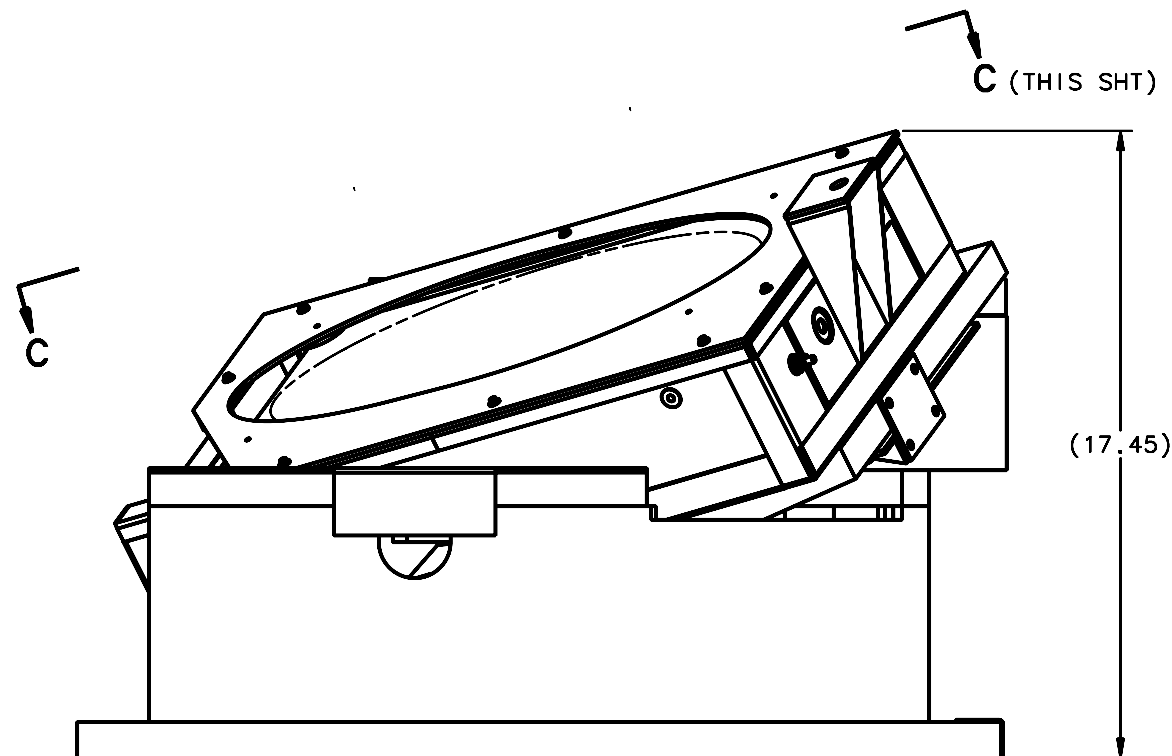


REVISIONS				
LTR	DESCRIPTION	DATE	REVISED BY	APPROVED
A	INITIAL RELEASE	5/2/05	R. NAGY	G. LANDIS
B	UPDATED FOR ITEM 2 REVISION	9/22/05	R. NAGY	W. DAVISON



VIEW C-C
(THIS SHT)
SCALE 3:8

ROTATED TO TRUE SIZE OF ITEM 1 GRATING CELL ASSEMBLY



SCALE 3:8

DO NOT SCALE DRAWING INTERPRET DIMENSIONS AND TOLERANCES IN ACCORDANCE WITH ASME Y14.5M-94	THIS DRAWING CREATED IN:			Steward Observatory, University of Arizona 933 N. Cherry Avenue, Tucson, AZ 85721 (520)621-7659			
	ACAD <input type="checkbox"/>	MECH <input type="checkbox"/>	IDEAS <input checked="" type="checkbox"/>	DESIGNED BY: D. DEAN/S.M.	DATE: 11/17/04	CATEGORY: MMT	
TOLERANCES UNLESS OTHERWISE SPECIFIED LINEAR ANGULAR .1 - NA NA .05 - NA .02 - NA DIAMETRICAL SEE SPEC S-002				DRAWN BY: R. NAGY	12/14/04	PROJECT: MAESTRO	
				CHECKED BY: G. LANDIS	3/21/05	TITLE: GRATING CELL & PLATFORM SETUP ASSEMBLY	
MATERIAL -	13425	MMT		APPROVED: M. REED	5/2/05	PLOT SIZE SCALE: D -	DRAWING NUMBER: 13677
				APPROVED: J. BECHTOLD	5/2/05		
FINISH -							REVISION: B
	NEXT ASSY	USED ON		CURRENT TIME/DATE/FILE LOCATION:			SHEET 3 OF 4
				DRAWING ARCHIVE LOCATION: http://dovinci.as.arizona.edu/ccad/default.html			