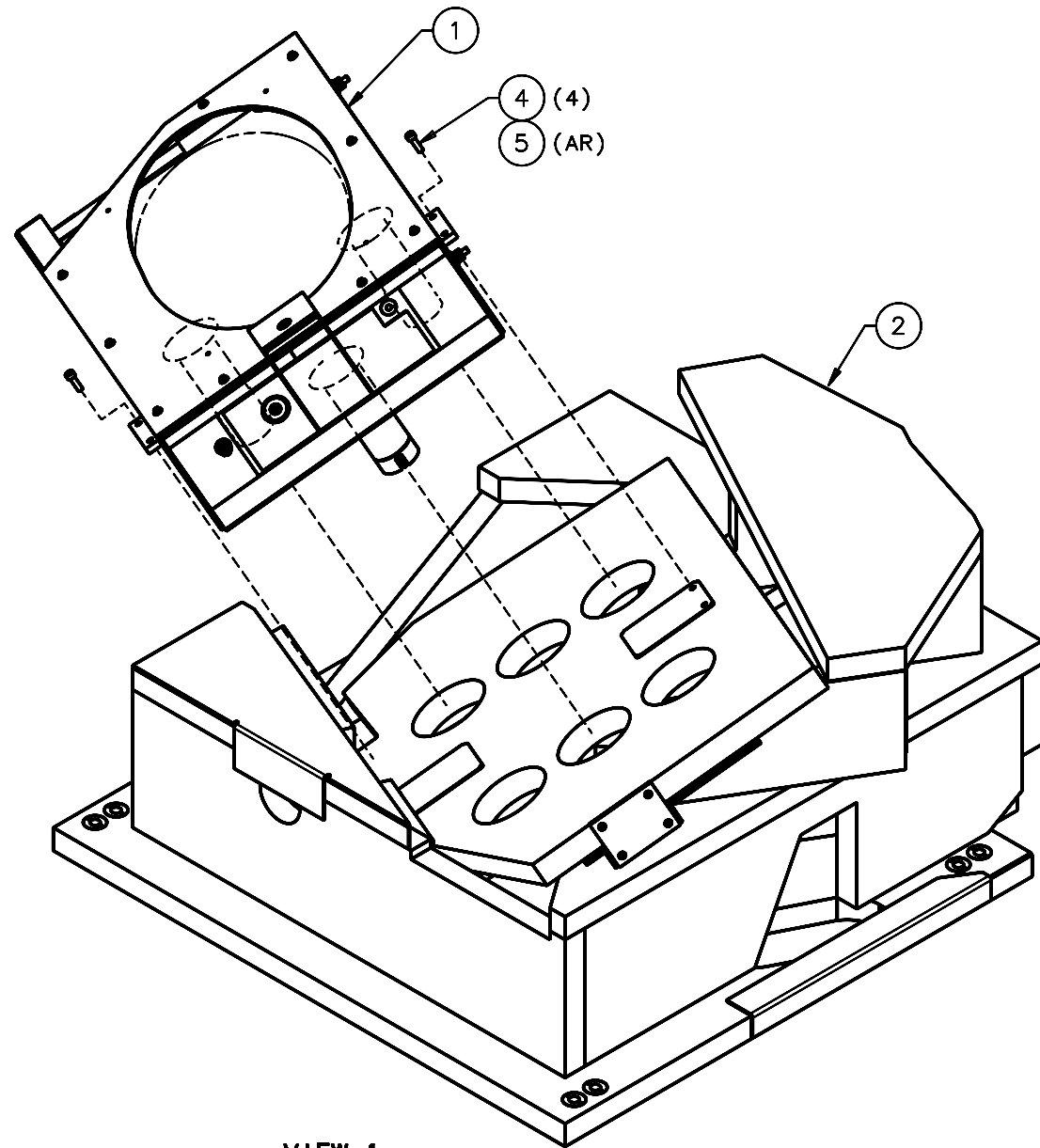
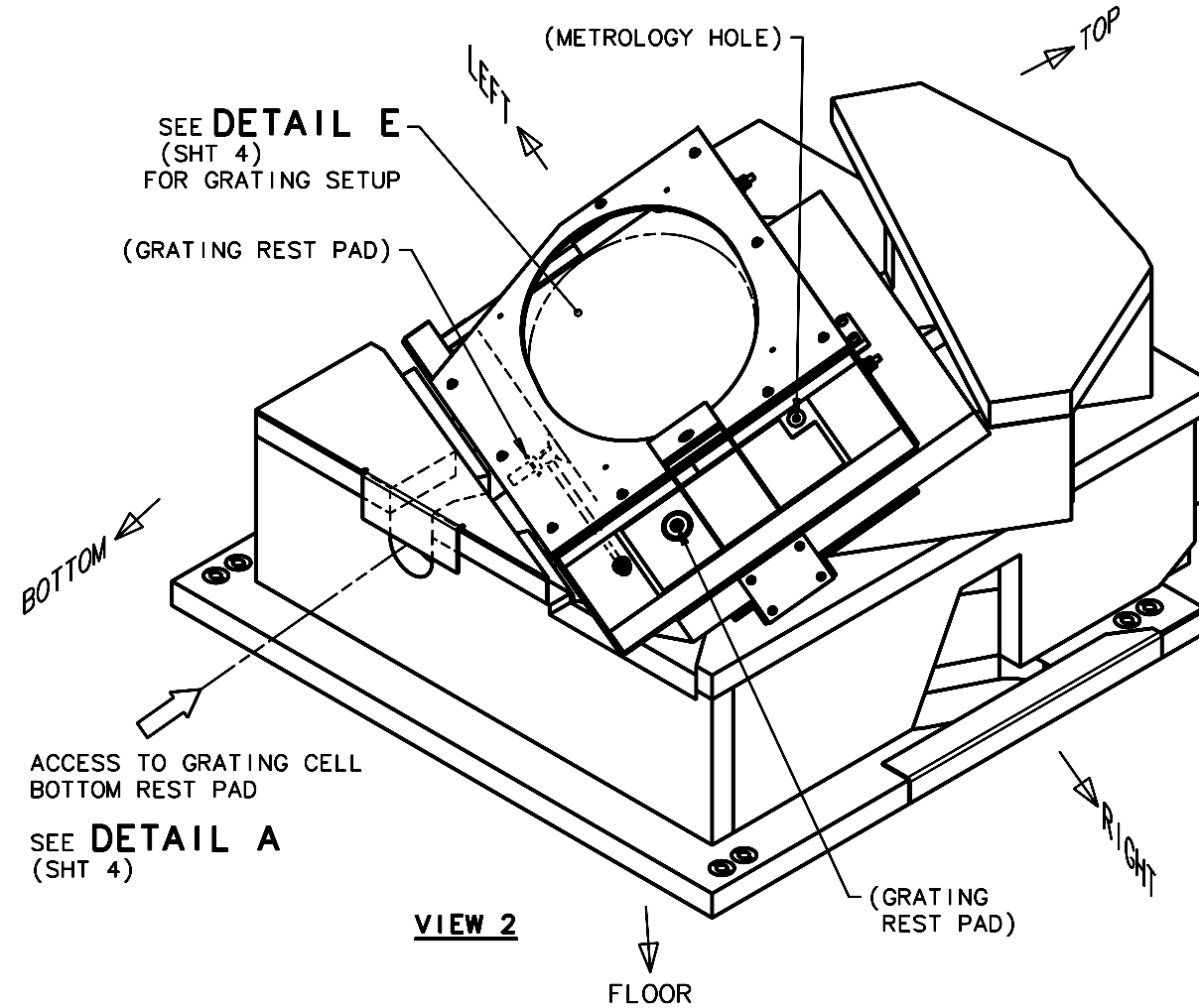


REVISIONS				
LTR	DESCRIPTION	DATE	REVISED BY	APPROVED
A	INITIAL RELEASE	5/2/05	R. NAGY	G. LANDIS
B	UPDATED FOR ITEM 2 REVISION	9/22/05	R. NAGY	W. DAVISON



**VIEW 1**



**VIEW 2**

**ISO VIEWS**

SCALE NTS  
CONTINUED ON SHT 2  
ADDITIONAL ASSEMBLY VIEWS ON SHT 3 & 4

**NOTES:**

- REQUIRED DOCUMENTS:
  - SP14099 MAESTRO SYSTEM ALIGNMENT

QTY PER ASSY	QTY PER ASSY	QTY PER ASSY	PART NUMBER	PART DESCRIPTION	MANUFACTURER or MAT'L SPEC	ITEM NO.
	AR	222		THREADLOCKER	LOCTITE OR EQUIVALENT	5
	4	92196A271		SHCS, .190-32 UNF-2A x .625 LG, 18-8 SS	McMASTER-CARR	4
						3
	1	13435		GRATING CELL PLATFORM ASSEMBLY		2
	1	13434		GRATING CELL TOP ASSEMBLY	-	1

**LIST OF MATERIALS**

DO NOT SCALE DRAWING INTERPRET DIMENSIONS AND TOLERANCES IN ACCORDANCE WITH ASME Y14.5M-94		THIS DRAWING CREATED IN: ACAD <input type="checkbox"/> MECH <input type="checkbox"/> IDEAS <input checked="" type="checkbox"/>		Steward Observatory, University of Arizona 933 N. Cherry Avenue, Tucson, AZ 85721 (520)621-7659	
TOLERANCES UNLESS OTHERWISE SPECIFIED LINEAR: .1 = NA, .2 = NA, .3 = NA, .4 = NA, .5 = NA, .6 = NA, .7 = NA, .8 = NA, .9 = NA, 1.0 = NA ANGULAR: NA DIAMETRICAL: SEE SPEC S-002		DESIGNED BY: D. DEAN/S.M.	DATE: 11/17/04	CATEGORY: MMT	
MATERIAL: -		DRAWN BY: R. NAGY	DATE: 12/14/04	PROJECT: MAESTRO	
FINISH: -		CHECKED BY: G. LANDIS	DATE: 3/21/05	TITLE: GRATING CELL & PLATFORM SETUP ASSEMBLY	
ASSEMBLY APPLICATION		APPROVED: M. REED	DATE: 5/2/05	PLOT SIZE SCALE: D -	
CURRENT TIME/DATE/FILE LOCATION:		APPROVED: J. BECHTOLD	DATE: 5/2/05	DRAWING NUMBER: 13677	
DRAWING ARCHIVE LOCATION: <a href="http://davincl.as.arizona.edu/ccad/default.html">http://davincl.as.arizona.edu/ccad/default.html</a>		REVISION: B		SHEET 1 OF 4	