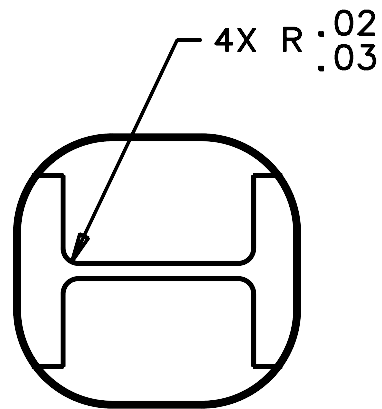
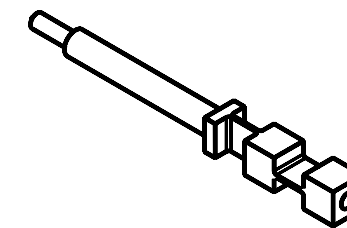
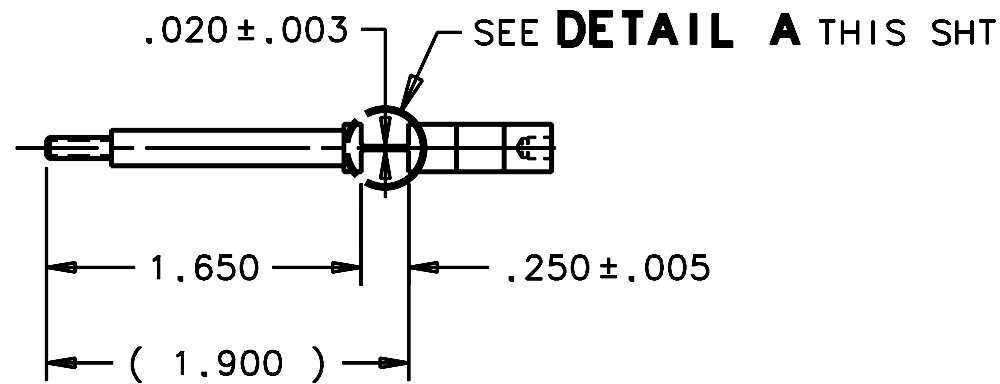


| REVISIONS | | | | |
|-----------|-----------------|----------|------------|-----------|
| LTR | DESCRIPTION | DATE | REVISED BY | APPROVED |
| A | INITIAL RELEASE | 05/11/05 | J. BRENNAN | G. LANDIS |

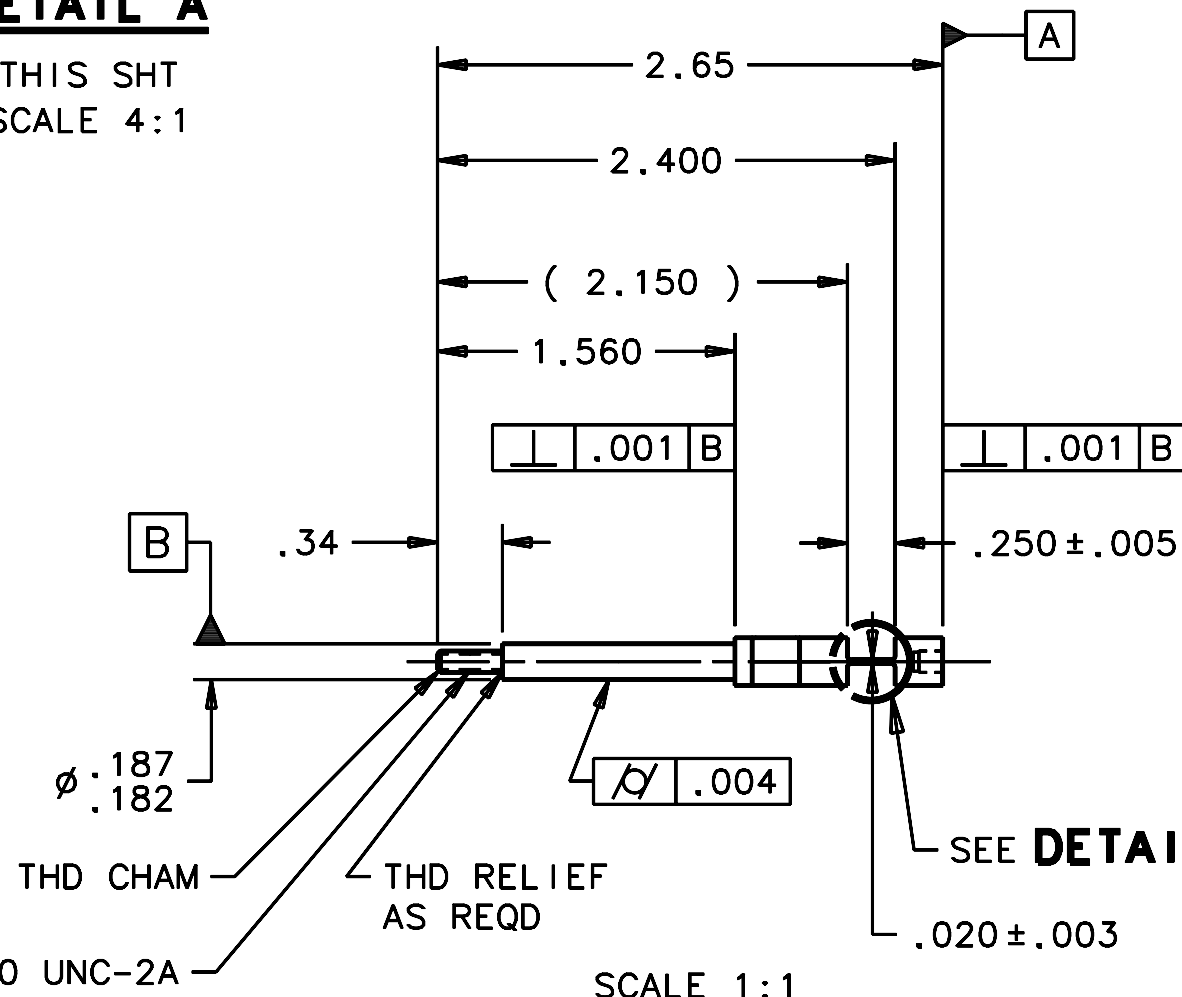


DETAIL A

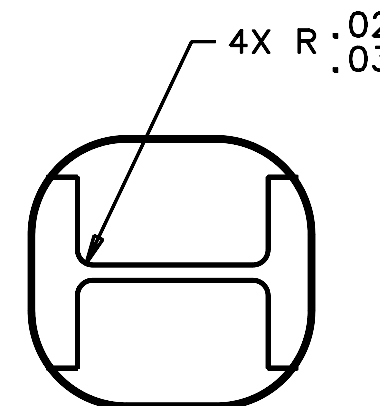
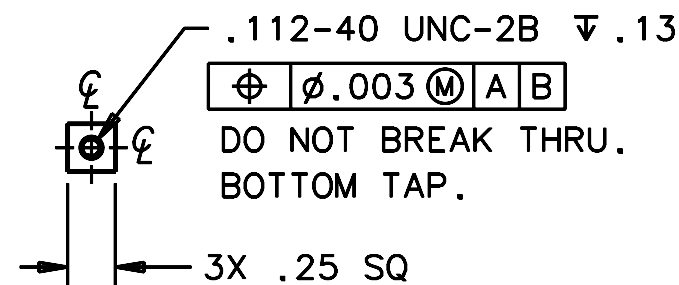
THIS SHT
SCALE 4:1



SCALE NTS



SCALE 1:1



DETAIL B

THIS SHT
SCALE 4:1

NOTES:

1. 1 REQUIRED.
2. BREAK SHARP EDGES & DEBURR.
3. MACHINED SURFACE FINISH TO BE 125 RMS OR BETTER.
4. MACHINED FILLETS TO BE .015 MAX UNLESS OTHERWISE SPECIFIED.
5. DIMENSIONS APPLY IN A RESTRAINED CONDITION.
6. HANDLE, STORE & SHIP IN A RESTRAINED CONDITION TO PREVENT FLEXING.
7. INDIVIDUALLY BOX.

| | | | | | | | |
|-----------------------------------------------------------------------|----------------------|--------------------------|--------------------------|-----------------------------------------------------------------------------------------------------------------------------------------|------------------------------------------------------|----------|------------------------|
| DO NOT SCALE DRAWING | | THIS DRAWING CREATED IN: | | Steward Observatory, University of Arizona | | | |
| INTERPRET DIMENSIONS AND TOLERANCES IN ACCORDANCE WITH ASME Y14.5M-94 | | ACAD | MECH | IDEAS | 933 N. Cherry Avenue, Tucson, AZ 85721 (520)621-7659 | | |
| TOLERANCES UNLESS OTHERWISE SPECIFIED | | <input type="checkbox"/> | <input type="checkbox"/> | <input checked="" type="checkbox"/> | DESIGNED BY: | DATE: | CATEGORY: |
| LINEAR | ANGULAR | | | | S. MATHEWS/B.C. | 8/31/04 | MMT |
| .X = NA | ± 1° | | | | DRAWN BY: | | |
| .XX = ± .02 | | | | | R. NAGY | 10/5/04 | PROJECT: |
| .XXX = ± .010 | | | | | CHECKED BY: | | MAESTRO |
| DIAMETRICAL SEE SPEC S-002 | | | | | G. LANDIS | 03/21/05 | TITLE: |
| | | | | | APPROVED: | | GRATING-SUPPORT |
| | | | | | M. REED | 05/11/05 | SHORT LATERAL LINK "B" |
| | | | | | APPROVED: | | |
| | | | | | J. BECHTOLD | 05/11/05 | |
| | | | | | APPROVED: | | |
| | | | | | R. WARNER | 05/11/05 | |
| | | | | | APPROVED: | | |
| MATERIAL | 13663 | MMT-MAESTRO | | | PLOT SIZE | SCALE: | DRAWING NUMBER: |
| 300 SERIES CRES | | | | | B | - | 13667 |
| | NEXT ASSY | USED ON | | | | | REVISION: |
| | | | | | | | A |
| FINISH | ASSEMBLY APPLICATION | | | CURRENT TIME/DATE/FILE LOCATION: | | | |
| NONE | | | | DRAWING ARCHIVE LOCATION: http://devinci.es.arizona.edu/ocod/default.html | | | |