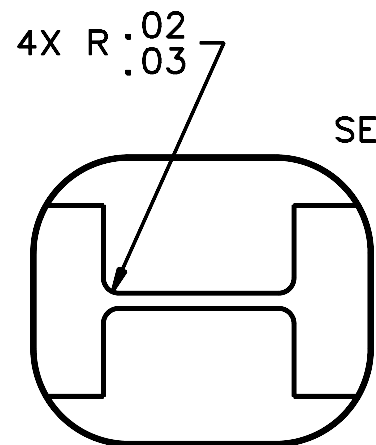
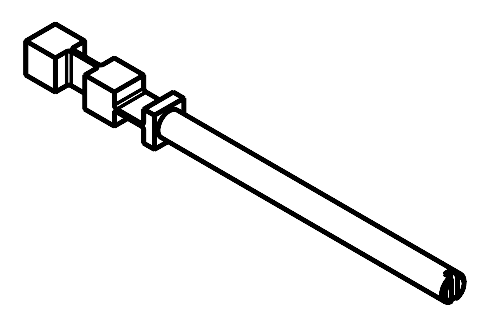
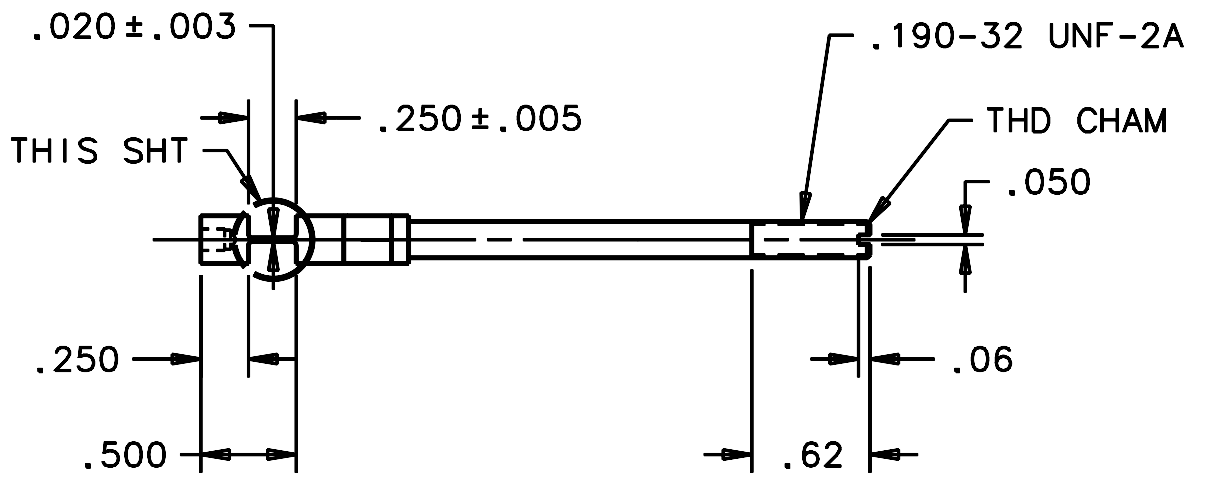


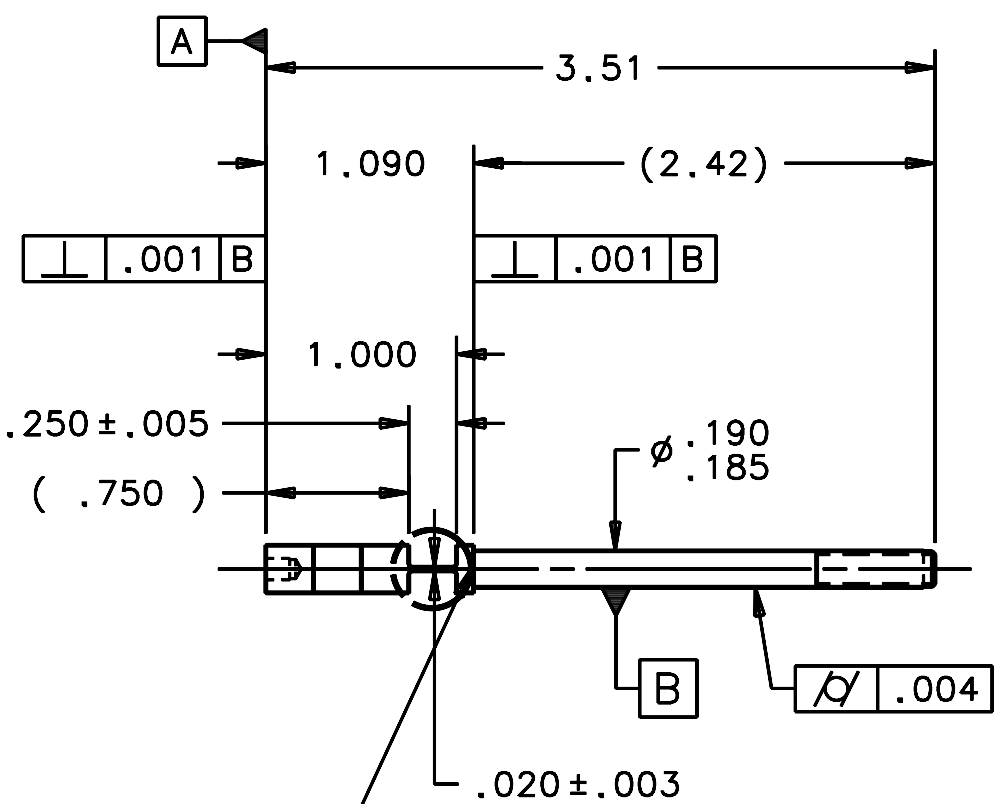
| REVISIONS | | | | |
|-----------|-----------------|----------|------------|-----------|
| LTR | DESCRIPTION | DATE | REVISED BY | APPROVED |
| A | INITIAL RELEASE | 05/11/05 | J. BRENNAN | G. LANDIS |



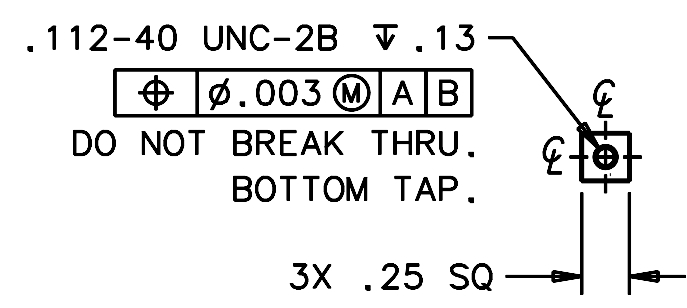
DETAIL A
THIS SHT
SCALE 4:1



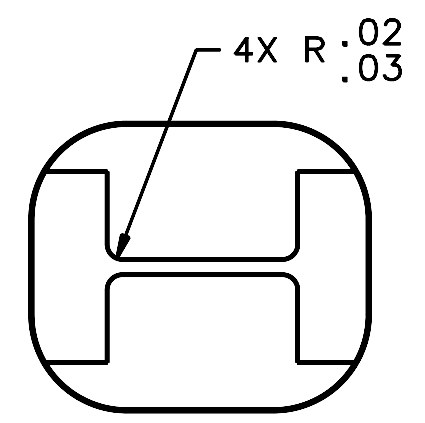
SCALE NTS



SCALE 1:1



SEE **DETAIL B** THIS SHT



DETAIL B
THIS SHT
SCALE 4:1

- NOTES:
- 1 REQUIRED.
 - BREAK SHARP EDGES & DEBURR.
 - MACHINED SURFACE FINISH TO BE 125 RMS OR BETTER.
 - MACHINED FILLETS TO BE .015 MAX UNLESS OTHERWISE SPECIFIED.
 - DIMENSIONS APPLY IN A RESTRAINED CONDITION.
 - HANDLE, STORE & SHIP IN A RESTRAINED CONDITION TO PREVENT FLEXING.
 - INDIVIDUALLY BOX.

| | | | | | | | |
|------------------------------------------------------------------------------------------------------------------------------------------------------------------|-------------------------------|-------------------------------|-------------------------------------------|-------------------------------------------------------------------------------------------------------------------------------------------|------------------|-----------------------------------------------------|----------------|
| DO NOT SCALE DRAWING INTERPRET DIMENSIONS AND TOLERANCES IN ACCORDANCE WITH ASME Y14.5M-94 | THIS DRAWING CREATED IN: | | | Steward Observatory, University of Arizona 933 N. Cherry Avenue, Tucson, AZ 85721 (520)621-7659 | | | |
| | ACAD <input type="checkbox"/> | MECH <input type="checkbox"/> | IDEAS <input checked="" type="checkbox"/> | DESIGNED BY: S. MATHEWS/B.C. | DATE: 8/31/04 | CATEGORY: MMT | |
| TOLERANCES UNLESS OTHERWISE SPECIFIED LINEAR ANGULAR .X = NA ± 1° .XX = ±.02 .XXX = ±.010 DIAMETRICAL SEE SPEC S-002 | | | | DRAWN BY: R. NAGY | 10/5/04 | PROJECT: MAESTRO | |
| | | | | CHECKED BY: G. LANDIS | 03/21/05 | TITLE: GRATING-SUPPORT SHORT LATERAL LINK "A" | |
| MATERIAL 300 SERIES CRES | | | | APPROVED: M. REED | 05/11/05 | | |
| | | | | APPROVED: J. BECHTOLD | 05/11/05 | | |
| FINISH NONE | | | | APPROVED: R. WARNER | 05/11/05 | PLOT SIZE B | SCALE: - |
| | ASSEMBLY APPLICATION | | | CURRENT TIME/DATE/FILE LOCATION: | | DRAWING NUMBER: 13666 | REVISION: A |
| | | | | DRAWING ARCHIVE LOCATION: http://devinci1.es.arizona.edu/ocod/default.html | | | |