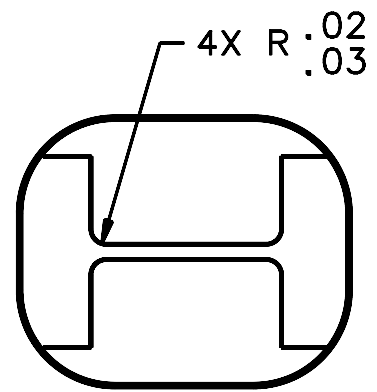
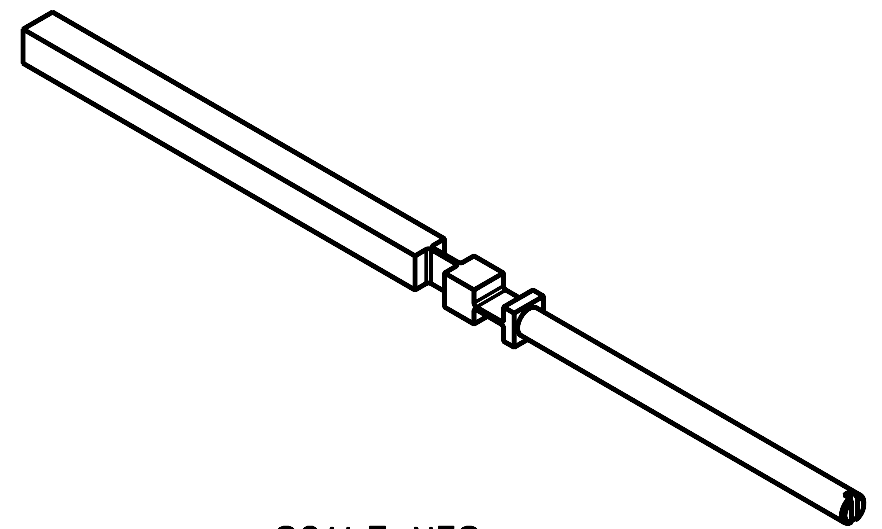
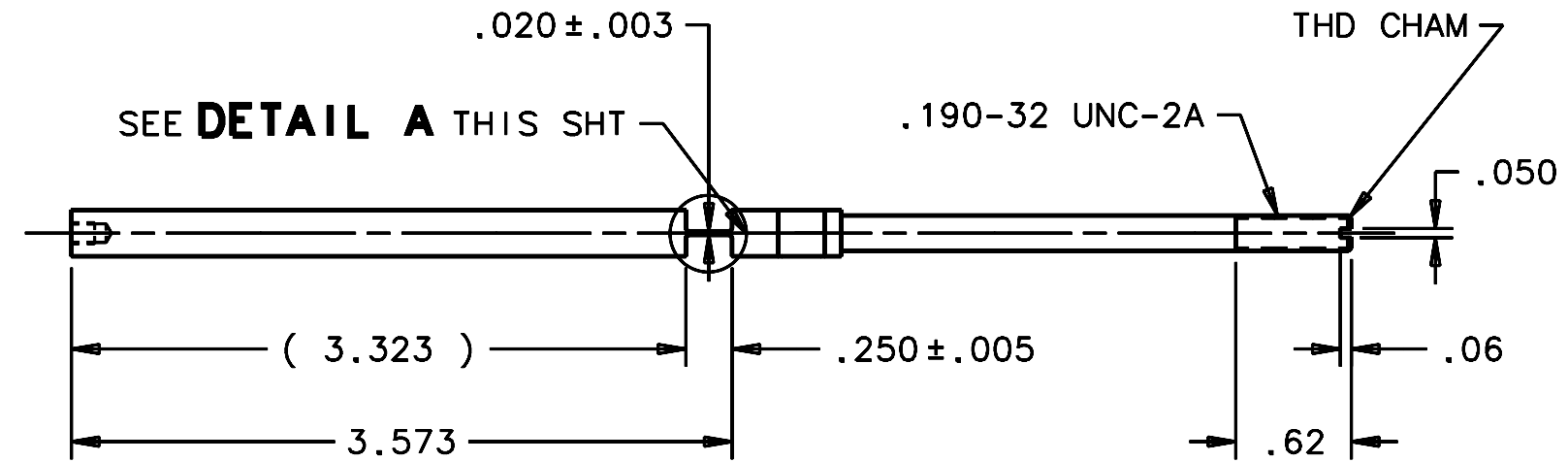


REVISIONS				
LTR	DESCRIPTION	DATE	REVISED BY	APPROVED
A	INITIAL RELEASE	05/09/05	J. BRENNAN	G. LANDIS

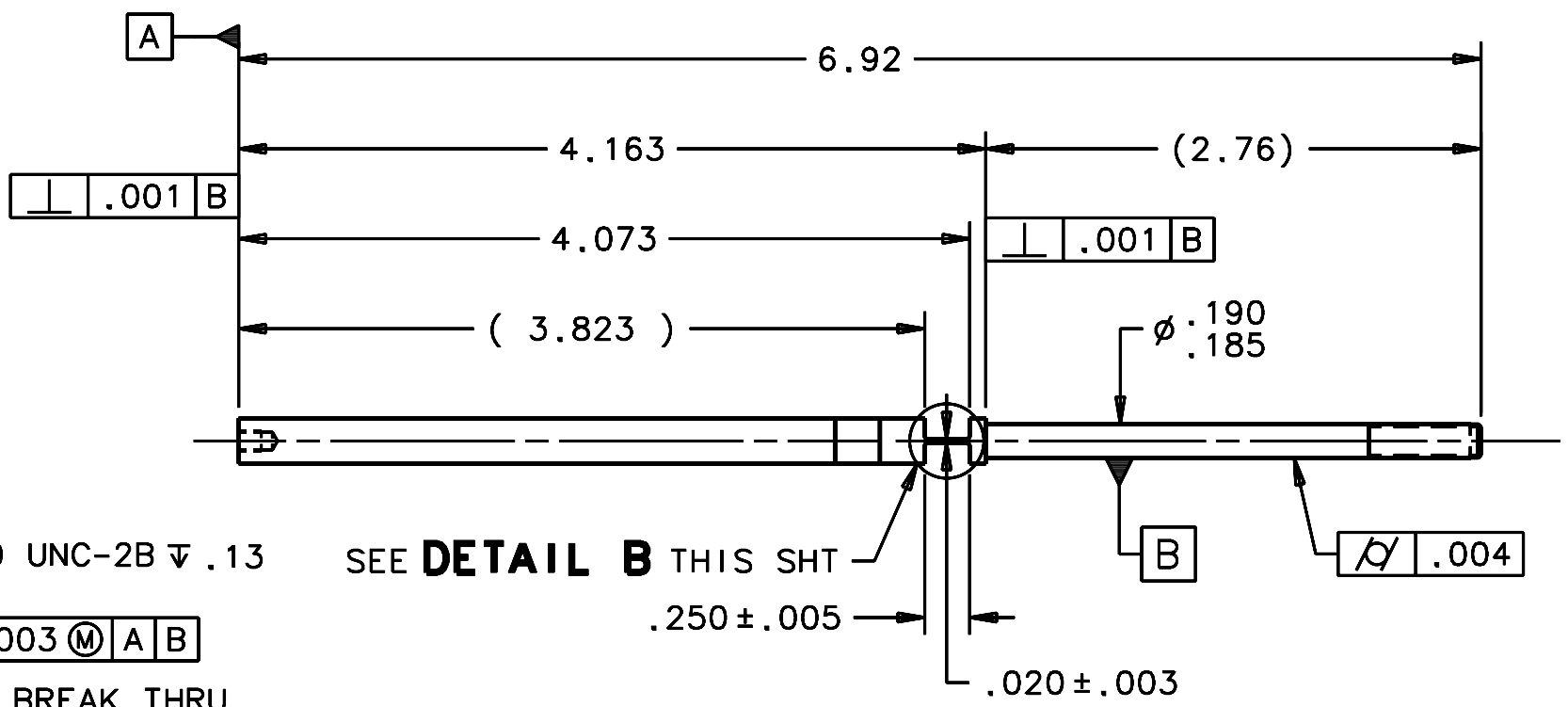


DETAIL A

THIS SHT
SCALE 4:1

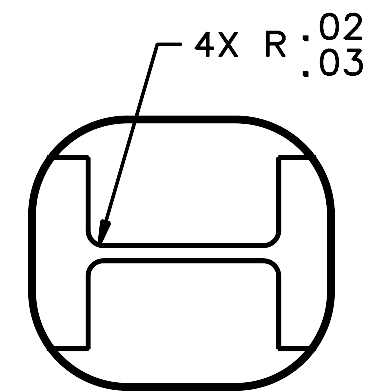


SCALE NTS



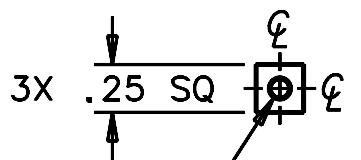
DETAIL B

SCALE 1:1



DETAIL B

THIS SHT
SCALE 4:1



.125-40 UNC-2B ∇ .13

\varnothing .003 M A B

DO NOT BREAK THRU.
BOTTOM TAP.

NOTES:

1. 1 REQUIRED.
2. BREAK SHARP EDGES & DEBURR.
3. MACHINED SURFACE FINISH TO BE 125 RMS OR BETTER.
4. MACHINED FILLETS TO BE .015 MAX UNLESS OTHERWISE SPECIFIED.
5. DIMENSIONS APPLY IN A RESTRAINED CONDITION.
6. HANDLE, STORE & SHIP IN A RESTRAINED CONDITION TO PREVENT FLEXING.
7. INDIVIDUALLY BOX.

<p>DO NOT SCALE DRAWING</p> <p>INTERPRET DIMENSIONS AND TOLERANCES IN ACCORDANCE WITH ASME Y14.5M-94</p> <p>TOLERANCES UNLESS OTHERWISE SPECIFIED</p> <table border="1"> <tr> <th>LINEAR</th> <th>ANGULAR</th> </tr> <tr> <td>.X = NA</td> <td>± 1°</td> </tr> <tr> <td>.XX = ± .02</td> <td></td> </tr> <tr> <td>.XXX = ± .010</td> <td></td> </tr> </table> <p>DIAMETRICAL SEE SPEC S-002</p>	LINEAR	ANGULAR	.X = NA	± 1°	.XX = ± .02		.XXX = ± .010		<p>THIS DRAWING CREATED IN:</p> <p>ACAD <input type="checkbox"/> MECH <input type="checkbox"/> IDEAS <input checked="" type="checkbox"/></p>			<p>Steward Observatory, University of Arizona</p> <p>933 N. Cherry Avenue, Tucson, AZ 85721 (520)621-7659</p>			
	LINEAR	ANGULAR													
	.X = NA	± 1°													
	.XX = ± .02														
.XXX = ± .010															
<p>MATERIAL</p> <p>300 SERIES CRES</p>	<p>13662</p> <p>MMT-MAESTRO</p>	<p>NEXT ASSY</p> <p>USED ON</p>	<p>DESIGNED BY:</p> <p>S. MATHEWS/B.C.</p>	<p>DATE:</p> <p>8/28/04</p>	<p>CATEGORY:</p> <p>MMT</p>										
			<p>DRAWN BY:</p> <p>R. NAGY</p>	<p>10/4/04</p>	<p>PROJECT:</p> <p>MAESTRO</p>										
			<p>CHECKED BY:</p> <p>G. LANDIS</p>	<p>03/21/05</p>	<p>TITLE:</p> <p>GRATING-SUPPORT LONGITUDINAL LINK "A"</p>										
<p>APPROVED:</p> <p>M. REED</p>	<p>05/09/05</p>	<p>PLOT SIZE</p> <p>B</p>	<p>SCALE:</p> <p>-</p>	<p>DRAWING NUMBER:</p> <p>13664</p>	<p>REVISION:</p> <p>A</p>										
<p>APPROVED:</p> <p>J. BECHTOLD</p>	<p>05/09/05</p>														
<p>APPROVED:</p> <p>R. WARNER</p>	<p>05/09/05</p>														
<p>FINISH</p> <p>NONE</p>	<p>ASSEMBLY APPLICATION</p>			<p>CURRENT TIME/DATE/FILE LOCATION:</p>											
<p>DRAWING ARCHIVE LOCATION: http://devinci.es.arizona.edu/ocod/default.html</p>				<p>SHEET 1 OF 1</p>											