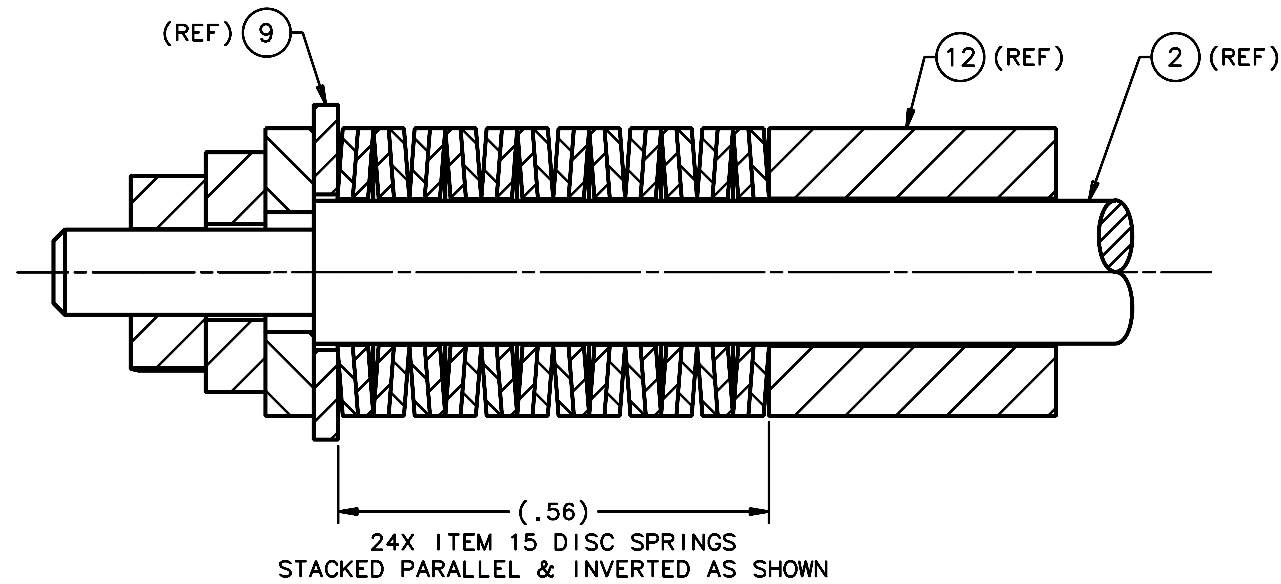
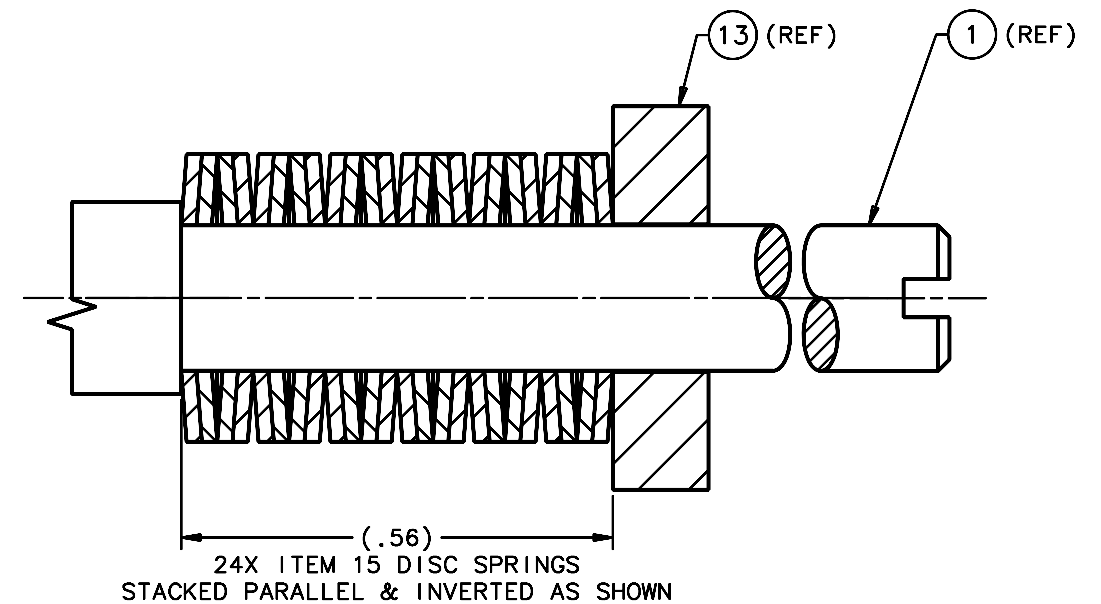


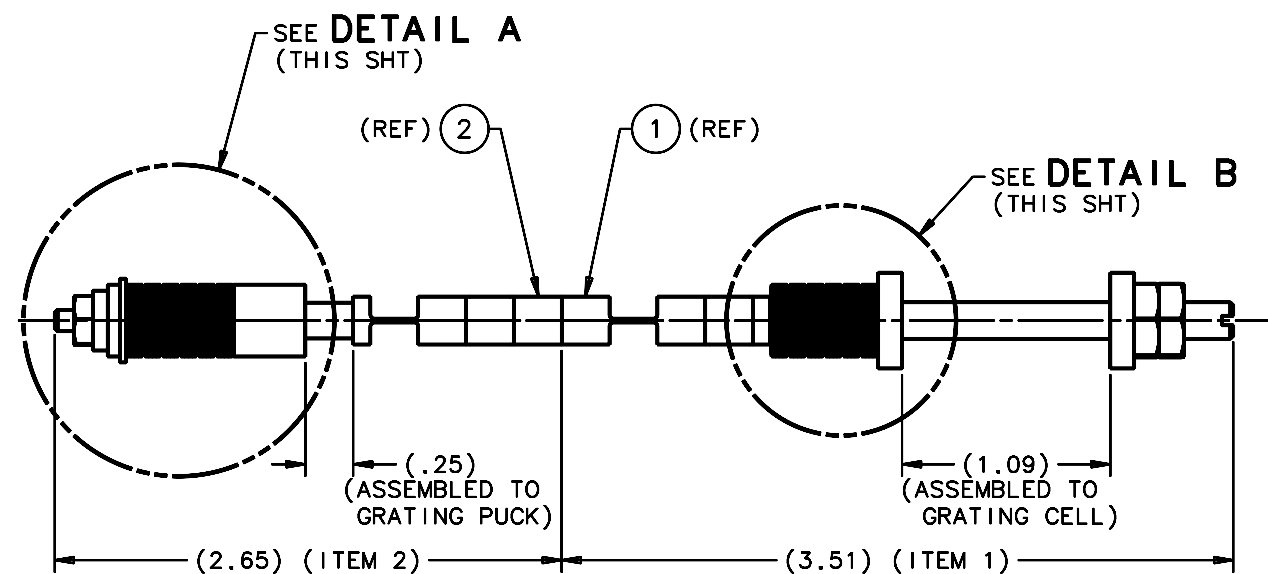
REVISIONS				
LTR	DESCRIPTION	DATE	REVISED BY	APPROVED
A	INITIAL RELEASE	05/09/05	J. BRENNAN	G. LANDIS



**DETAIL A**  
(THIS SHT)  
SCALE 8:1



**DETAIL B**  
(THIS SHT)  
SCALE 8:1



SCALE 2:1

DO NOT SCALE DRAWING		THIS DRAWING CREATED IN:		Steward Observatory, University of Arizona	
INTERPRET DIMENSIONS AND TOLERANCES IN ACCORDANCE WITH ASME Y14.5M-94		ACAD <input type="checkbox"/>	MECH <input type="checkbox"/>	IDEAS <input checked="" type="checkbox"/>	933 N. Cherry Avenue, Tucson, AZ 85721 (520)621-7659
TOLERANCES UNLESS OTHERWISE SPECIFIED		DESIGNED BY: S. MATHEWS		DATE: 8/27/04	CATEGORY: MMT
LINEAR      ANGULAR		DRAWN BY: R. NAGY		10/27/04	PROJECT: MAESTRO
.1 - NA		CHECKED BY: G. LANDIS		03/21/05	TITLE: GRATING SHORT LATERAL SUPPORT LINK ASSEMBLY
.XX - NA		APPROVED: M. REED		05/09/05	
.XXX - NA		APPROVED: J. BECHTOLD		05/09/05	
DIAMETRICAL SEE SPEC S-002		APPROVED: R. WARNER		05/09/05	
MATERIAL		13434	MMT-MAESTRO	APPROVED:	PLOT SIZE SCALE: D -
-		NEXT ASSY	USED ON	APPROVED:	DRAWING NUMBER: 13663
FINISH		ASSEMBLY APPLICATION			REVISION: A
-		CURRENT TIME/DATE/FILE LOCATION:			SHEET 2 OF 2
		DRAWING ARCHIVE LOCATION: <a href="http://dovinci.as.arizona.edu/ccad/default.html">http://dovinci.as.arizona.edu/ccad/default.html</a>			