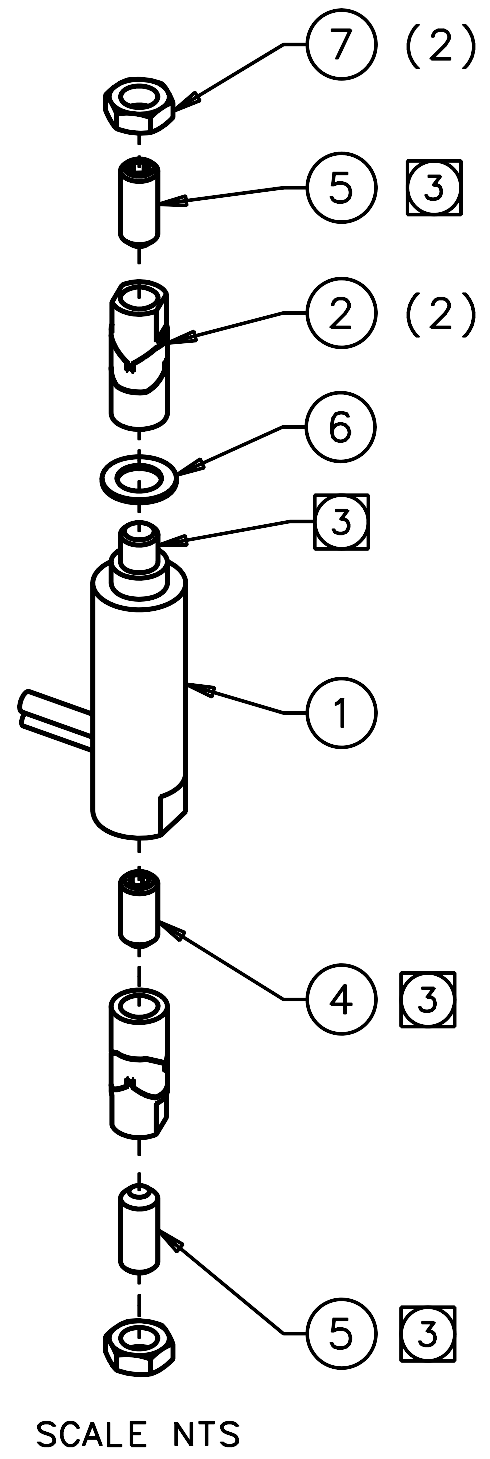
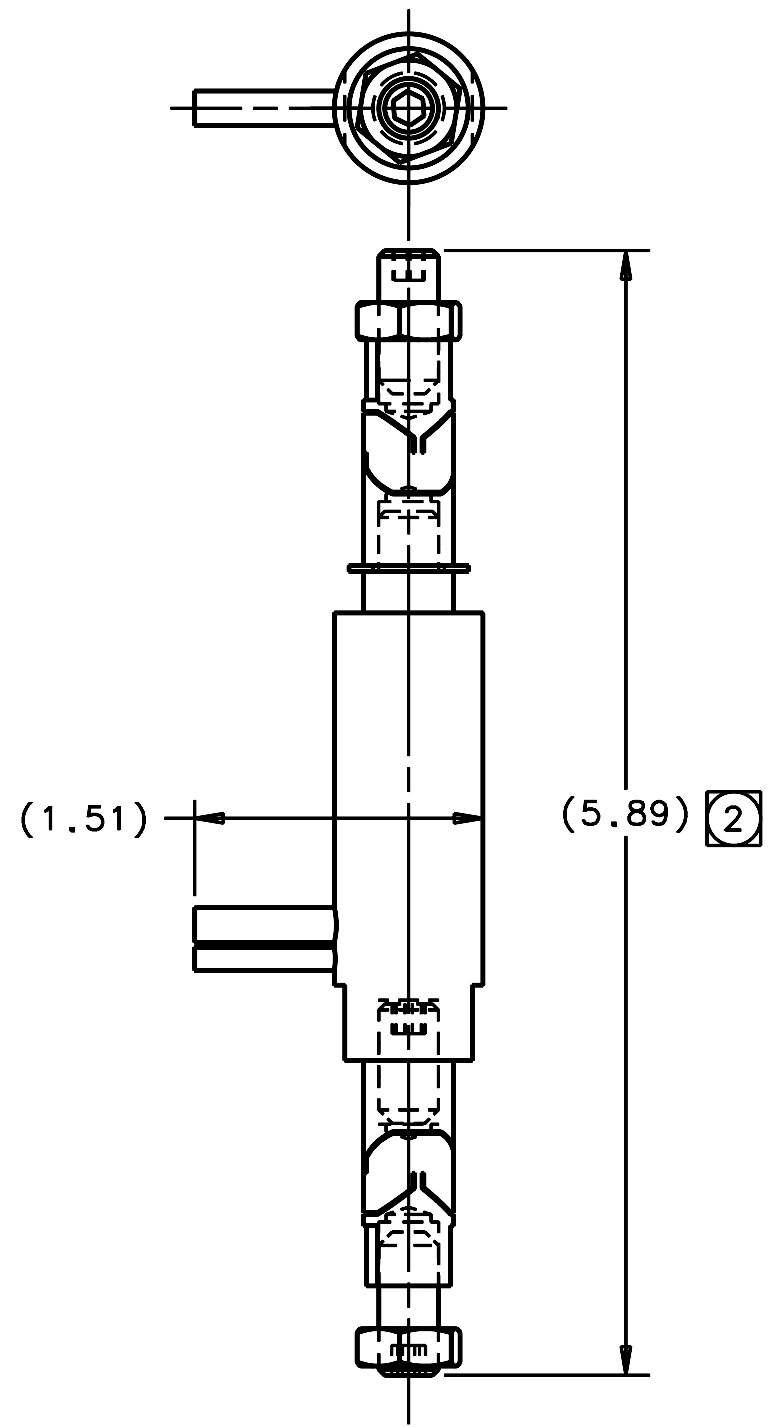


REVISIONS				
LTR	DESCRIPTION	DATE	REVISED BY	APPROVED
A	INITIAL RELEASE	05/09/05	J. BRENNAN	G. LANDIS



NOTES:

- 3 REQUIRED.
- DIMENSION FOR REF ONLY. THIS SETUP WILL NEED TO BE ADJUSTED AND/OR DISASSEMBLED AS REQD AT NEXT ASSEMBLIES.
- APPLY ITEM 8 THREADLOCKER AS REQD AT THIS TIME OR AT NEXT ASSEMBLIES.
- ITEM 2 FLEXIBLE TIPS MUST BE PARALLEL WHEN TIGHTENED TO THE ASSEMBLY: IF TIPS ARE NOT PARALLEL: USE ITEM 6 SHIM & PEEL OFF ITS LAMINATION AS REQUIRED TO ADJUST TIPS PARALLEL.

QTY PER ASSY	QTY PER ASSY	QTY PER ASSY	PART NUMBER	PART DESCRIPTION	MANUFACTURER or MAT'L SPEC	ITEM NO.	
			AR 222	THREADLOCKER	LOCTITE	8	
			2	90695A040	NUT, HEX, THIN (JAM), M8x1.25, CLASS 4 STL, Zn-PLT	MCMaster-CARR	7
			1	90805A161	LAMINATED SHIM, .375 ID X .625 OD X .032 THK [(16) .002 SHIMS], ALUM	MCMaster-CARR	6
			2	92015A145	SETSCREW, CUP POINT, HEX SKT, M8 x 1.25 x 20mm LG, 18-8 SST	MCMaster-CARR	5
			1	92015A143	SETSCREW, CUP POINT, HEX SKT, M8 x 1.25 x 16mm LG, 18-8 SST	MCMaster-CARR	4
							3
			2	P-176.60	FLEXIBLE TIP (303 CRES)	PHYSIK INSTRUMENTE	2
			1	P-844.20	PRELOADED OPEN-LOOP LVPZT TRANSLATOR, 30um DISPLACEMENT		1

DO NOT SCALE DRAWING INTERPRET DIMENSIONS AND TOLERANCES IN ACCORDANCE WITH ASME Y14.5M-94		THIS DRAWING CREATED IN: ACAD <input type="checkbox"/> MECH <input type="checkbox"/> IDEAS <input checked="" type="checkbox"/>		Steward Observatory, University of Arizona 933 N. Cherry Avenue, Tucson, AZ 85721 (520)621-7659			
TOLERANCES UNLESS OTHERWISE SPECIFIED LINEAR ANGULAR .1 - NA NA .XX - NA .XXX - NA DIAMETRICAL SEE SPEC 5-002				DESIGNED BY: S. MATHEWS/B.C.	DATE: 8/27/04	CATEGORY: MMT	
				DRAWN BY: R. NAGY/J.K.	10/1/04	PROJECT: MAESTRO	
				CHECKED BY: G. LANDIS	03/21/05	TITLE: GRATING AXIAL ACTUATOR ASSEMBLY	
				APPROVED: M. REED	05/09/05		
				APPROVED: J. BECHTOLD	05/09/05		
				APPROVED: R. WARNER	05/09/05		
MATERIAL -		13599	MMT-MAESTRO	APPROVED:		PLOT SIZE: B	SCALE: -
FINISH -		NEXT ASSY	USED ON	APPROVED:		DRAWING NUMBER: 13656	REVISION: A
ASSEMBLY APPLICATION				CURRENT TIME/DATE/FILE LOCATION:			
				DRAWING ARCHIVE LOCATION: http://davinci.es.orizona.edu/ocod/dofull.html			