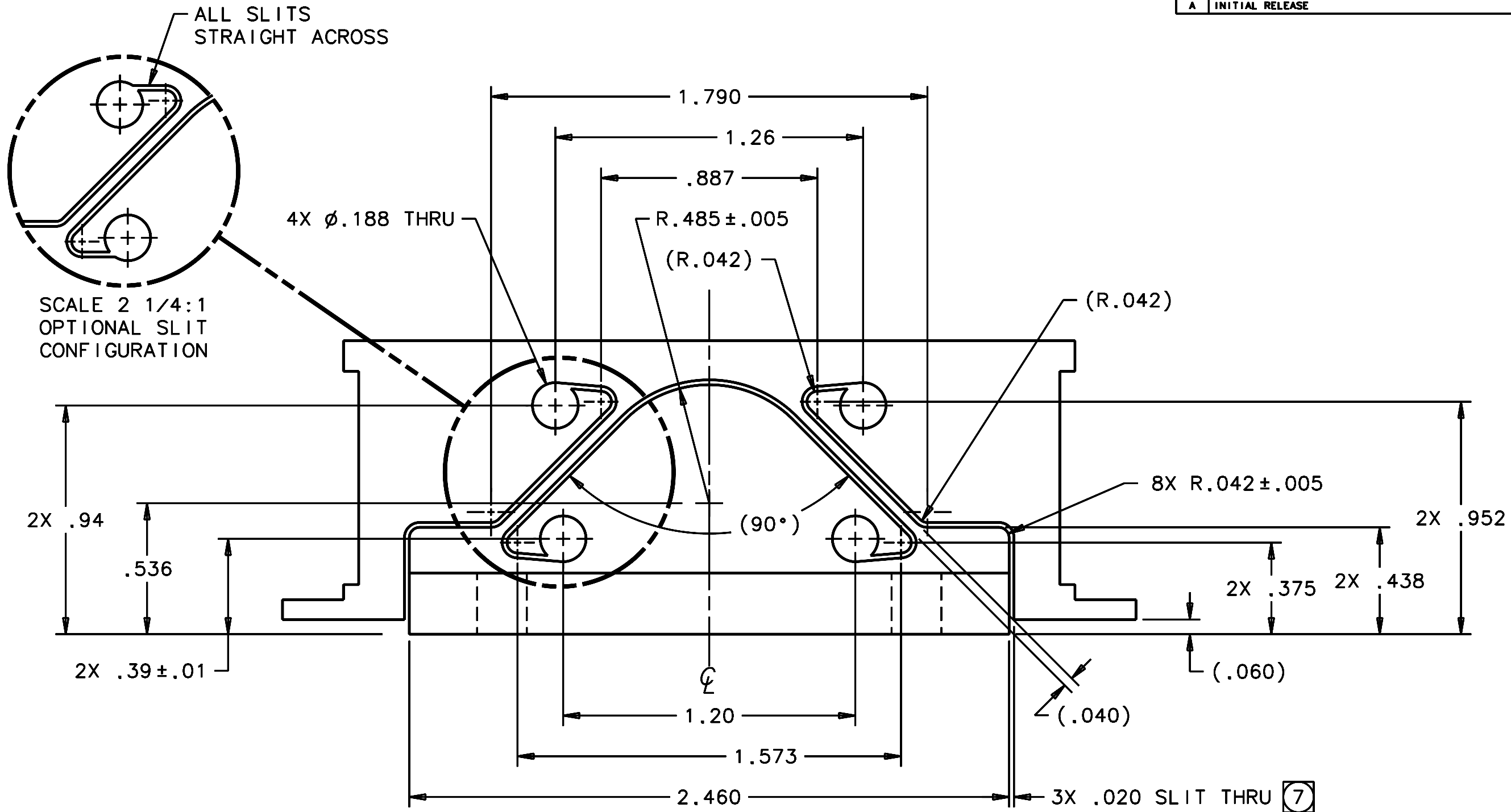


REVISIONS				
LTR	DESCRIPTION	DATE	REVISED BY	APPROVED
A	INITIAL RELEASE	05/11/05	J. BRENNAN	G. LANDIS



DETAIL A
(SHT 1)
SCALE 2 1/4:1

DO NOT SCALE DRAWING INTERPRET DIMENSIONS AND TOLERANCES IN ACCORDANCE WITH ASME Y14.5M-94		THIS DRAWING CREATED IN: ACAD <input type="checkbox"/> MECH <input type="checkbox"/> IDEAS <input checked="" type="checkbox"/>		Steward Observatory, University of Arizona 933 N. Cherry Avenue, Tucson, AZ 85721 (520)621-7659	
TOLERANCES UNLESS OTHERWISE SPECIFIED LINEAR ANGULAR .X - .04 ±1° .XX - .02 .XXX - .005		DESIGNED BY: S. MATHEWS/B.C.		DATE: 9/1/04	
DIAMETRICAL SEE SPEC S-002		DRAWN BY: R. NAGY		CATEGORY: MMT	
MATERIAL 4340 STEEL		CHECKED BY: G. LANDIS		PROJECT: MAESTRO	
FINISH <input type="checkbox"/> 5		APPROVED: M. REED		TITLE: GRATING CELL FLEX BLOCK	
NEXT ASSY USED ON		APPROVED: J. BECHTOLD		PLOT SIZE SCALE: B -	
ASSEMBLY APPLICATION		APPROVED: R. WARNER		DRAWING NUMBER: 13602	
		APPROVED:		REVISION: A	
		CURRENT TIME/DATE/FILE LOCATION:		SHEET 2 OF 2	
		DRAWING ARCHIVE LOCATION: http://devinci.cs.arizona.edu/ocod/default.html			