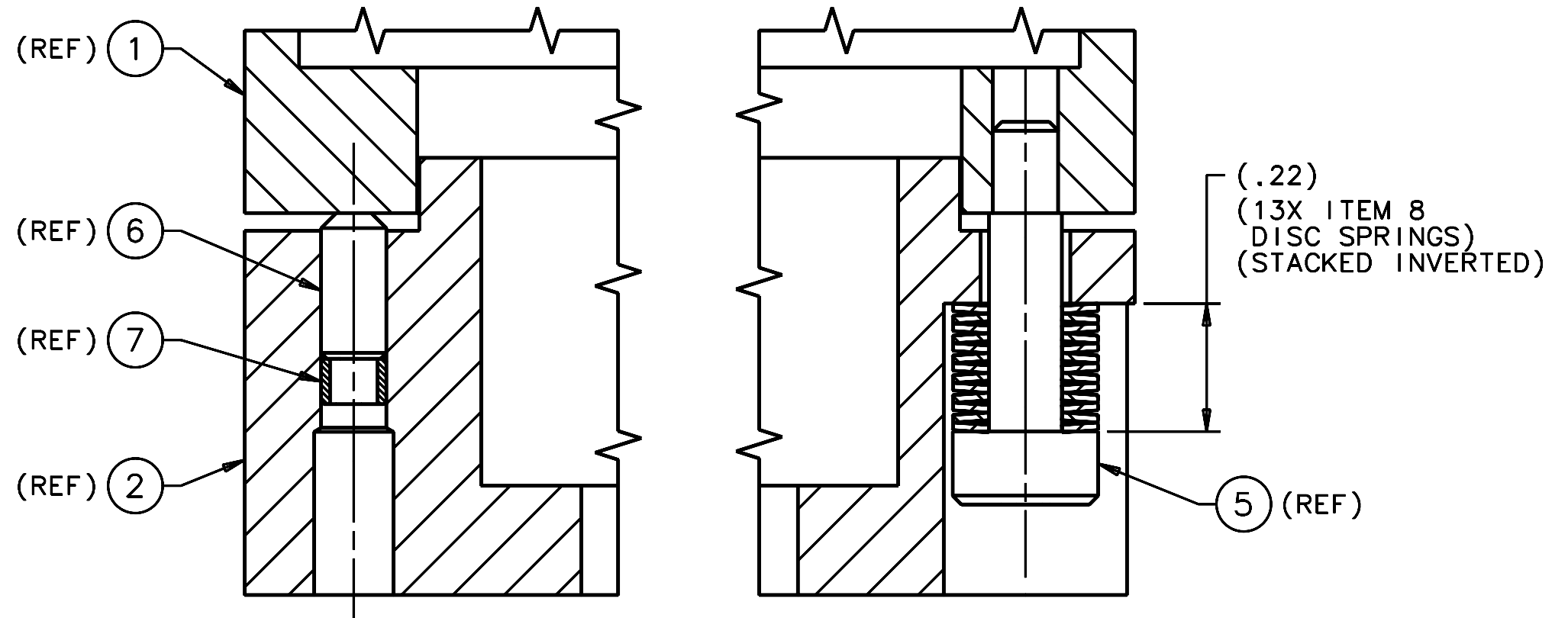
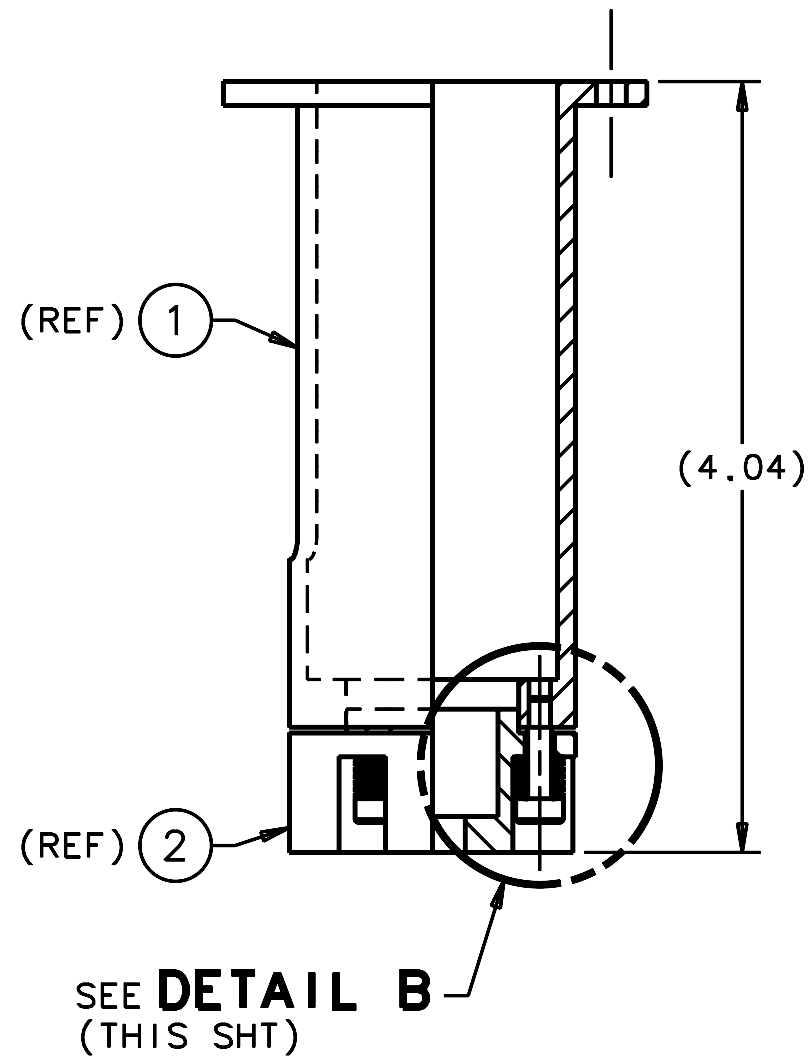
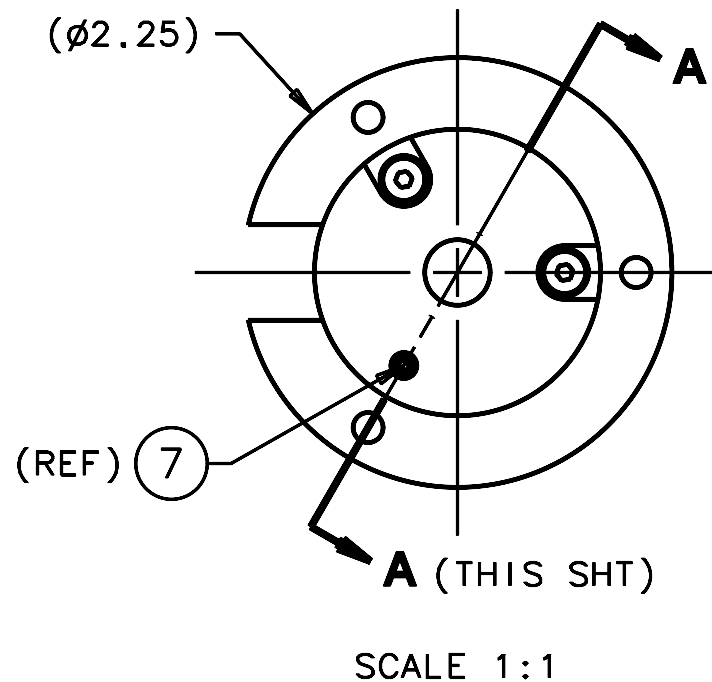


REVISIONS				
LTR	DESCRIPTION	DATE	REVISED BY	APPROVED
A	INITIAL RELEASE	05/09/05	J. BRENNAN	G. LANDIS



SECTION A-A
(THIS SHT)
SCALE 4:1
ROTATED 60° CW

(2X) DETAIL B
(THIS SHT)
SCALE 4:1



DO NOT SCALE DRAWING
INTERPRET DIMENSIONS AND TOLERANCES IN ACCORDANCE WITH ASME Y14.5M-94

TOLERANCES UNLESS OTHERWISE SPECIFIED
LINEAR ANGULAR
.1 - NA NA
.05 - NA NA
.03 - NA NA
DIAMETRICAL SEE SPEC S-002

MATERIAL
-
FINISH 4

THIS DRAWING CREATED IN:
ACAD MECH IDEAS
13434 MMT-MAESTRO
NEXT ASSY USED ON
ASSEMBLY APPLICATION

Steward Observatory, University of Arizona
933 N. Cherry Avenue, Tucson, AZ 85721 (520)621-7659
DESIGNED BY: S. MATHEWS/B.C. DATE: 9/22/04 CATEGORY: MMT
DRAWN BY: R. NAGY DATE: 10/18/04 PROJECT: MAESTRO
CHECKED BY: G. LANDIS DATE: 03/21/05 TITLE: GRATING CELL AXIAL ACTUATOR HOUSING ASSEMBLY
APPROVED: M. REED DATE: 05/09/05
APPROVED: J. BECHTOLD DATE: 05/09/05
APPROVED: R. WARNER DATE: 05/09/05
PLOT SIZE SCALE: DRAWING NUMBER: REVISION:
B - 13601 A