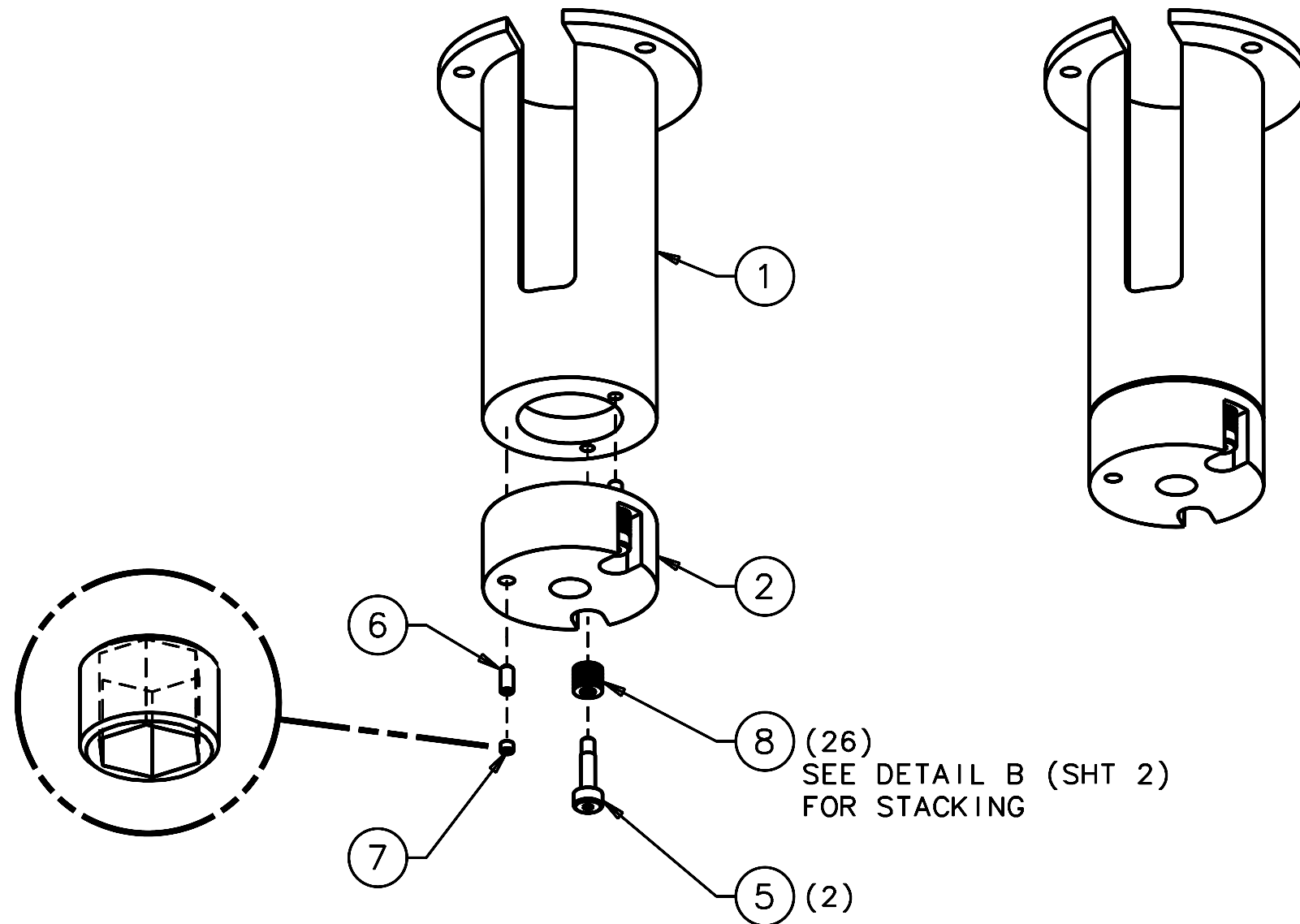


REVISIONS				
LTR	DESCRIPTION	DATE	REVISOR BY	APPROVED
A	INITIAL RELEASE	05/09/05	J. BRENNAN	G. LANDIS



ISO VIEWS
SCALE NTS
SEE SHT 2 FOR ADDITIONAL VIEWS

NOTES:

- 3 REQUIRED.
- DIMENSIONS FOR REF ONLY.
THIS SETUP WILL NEED TO BE ADJUSTED AS REQD AT ITS NEXT ASSEMBLY (13434).

26	9713K54	BELLEVILLE DISC SPRING, .125 ID x .250 OD x .013 THK, SS	McMASTER-CARR	8	
1	91318A010	HOLLOW-LOCK HEX SKT (JAM SETSCREW), .112-40 UNC-2A x .078 H, 18-8 SS	McMASTER-CARR	7	
1	94355A140	SETSCREW, FLAT PT, HEX SKT, .112-40 UNC-2A x .250 LG, 18-8 SS	McMASTER-CARR	6	
2	94035A519	SHOULDER SCREW, HEX SKT, ϕ .125 SHLDR x .375 LG x 4-40, 18-8 SS	McMASTER-CARR	5	
				4	
				3	
1	14203	AXIAL ACTUATOR HOUSING CAP		2	
1	14202	AXIAL ACTUATOR HOUSING		1	
-3	-2	-1			
QTY PER ASSY		PART NUMBER	PART DESCRIPTION	MANUFACTURER or MAT'L SPEC	ITEM NO.

LIST OF MATERIALS

DO NOT SCALE DRAWING INTERPRET DIMENSIONS AND TOLERANCES IN ACCORDANCE WITH ASME Y14.5M-94 TOLERANCES UNLESS OTHERWISE SPECIFIED LINEAR: .X - NA, .XX - NA, .XXX - NA ANGULAR: NA DIAMETRICAL: SEE SPEC S-002	THIS DRAWING CREATED IN: <input type="checkbox"/> ACAD <input type="checkbox"/> MECH <input checked="" type="checkbox"/> IDEAS			Steward Observatory, University of Arizona 933 N. Cherry Avenue, Tucson, AZ 85721 (520)621-7659					
	MATERIAL -		13434 MMT-MAESTRO		DESIGNED BY: S. MATHEWS/B.C. DATE: 9/22/04		CATEGORY: MMT		
FINISH -		NEXT ASSY USED ON		CHECKED BY: G. LANDIS DATE: 03/21/05		PROJECT: MAESTRO			
4		ASSEMBLY APPLICATION		APPROVED: J. BECHTOLD DATE: 05/09/05		TITLE: GRATING CELL AXIAL ACTUATOR HOUSING ASSEMBLY			
-		-		APPROVED: R. WARNER DATE: 05/09/05		PLOT SIZE SCALE: B -		DRAWING NUMBER: 13601	REVISION: A
CURRENT TIME/DATE/FILE LOCATION:					SHEET 1 OF 2				
DRAWING ARCHIVE LOCATION: http://devinci.oe.arizona.edu/ocod/default.html									