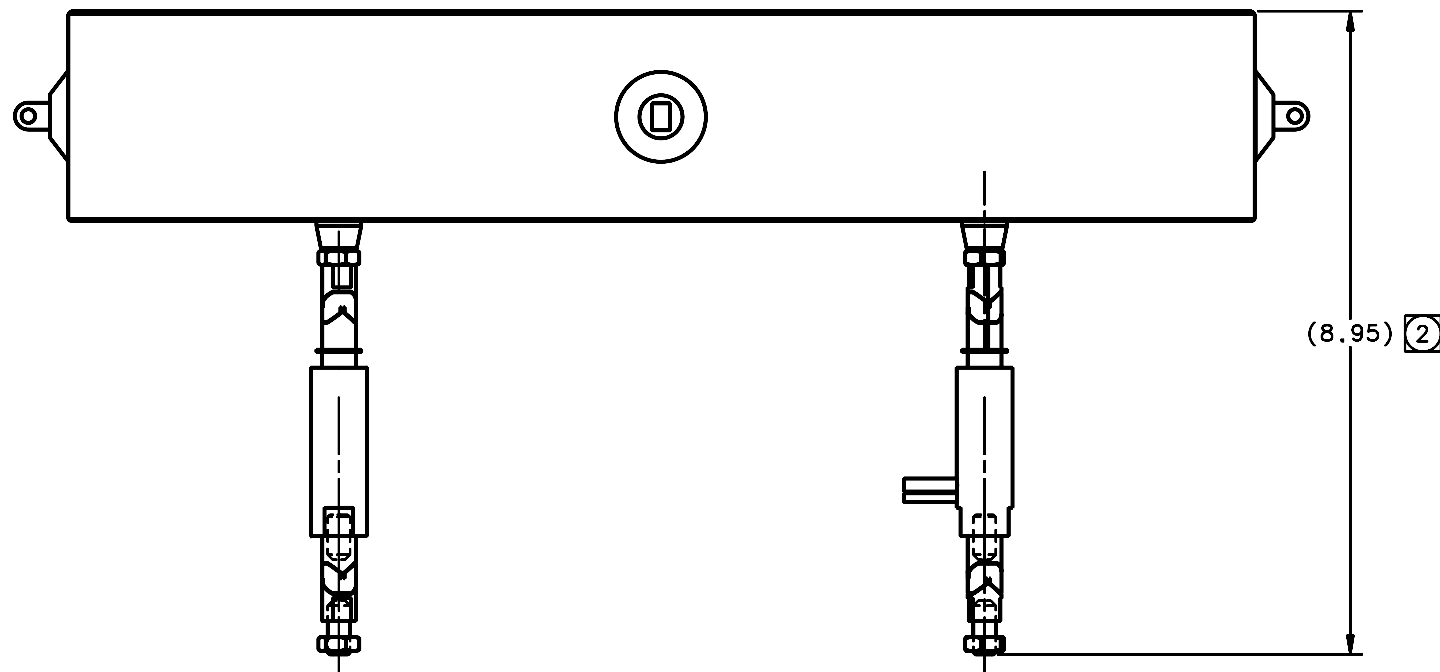
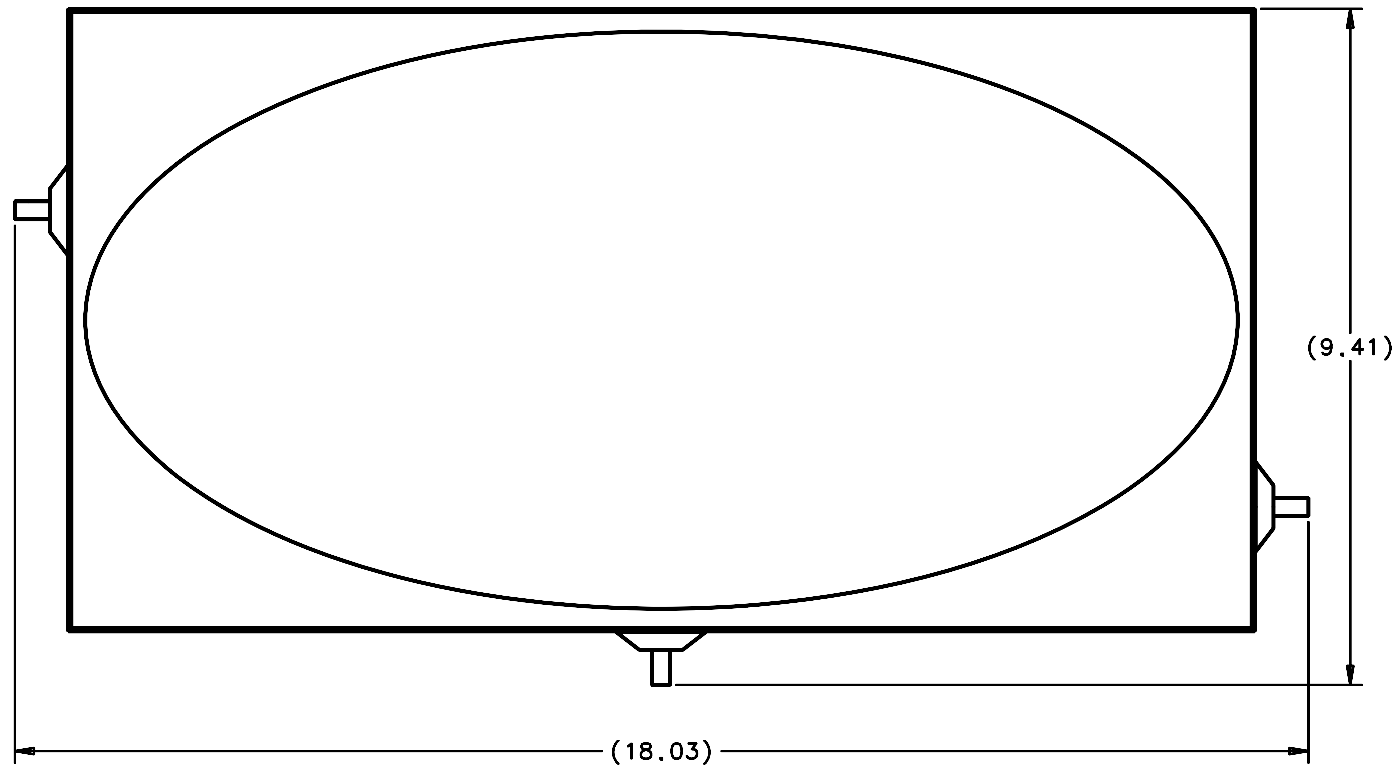
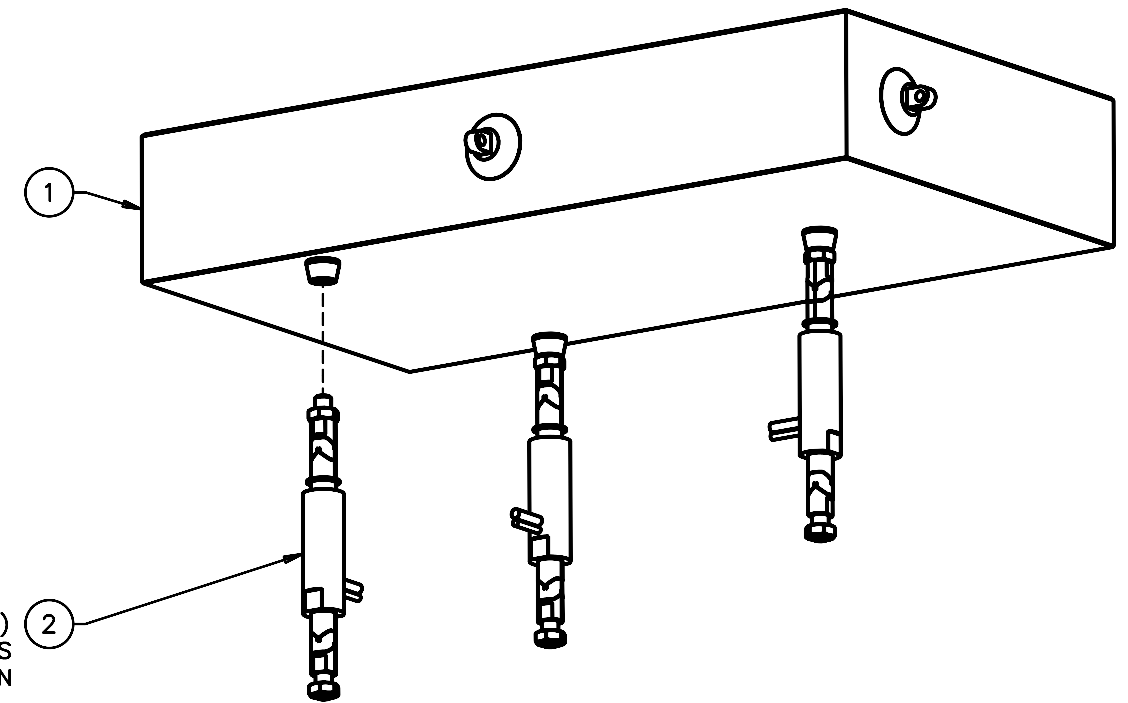


REVISIONS				
LTR	DESCRIPTION	DATE	REVISED BY	APPROVED
A	INITIAL RELEASE	05/09/05	J. BRENNAN	G. LANDIS



SCALE 3:4



(3) ORIENT CABLES
INBOARD AS SHOWN

SCALE NTS

NOTES:

1. REQUIRED DOCUMENT:
A. SP14099 MAESTRO SYSTEM ALIGNMENT.
2. DIMENSION FOR REF ONLY.
ADJUST AND/OR DISASSEMBLE ITEM 2 AXIAL ACTUATOR ASSEMBLIES & APPLY ITEM 4 THREADLOCKER AS REQD (SEE 13656)
PER ABOVE DOCUMENT.

QTY PER ASSY	-3	-2	-1	PART NUMBER	PART DESCRIPTION	MANUFACTURER or MAT'L SPEC	ITEM NO.
				AR 222	THREADLOCKER	LOCTITE	4
				3 13656	AXIAL ACTUATOR ASSEMBLY		3
				1 13600	GRATING ASSEMBLY		2
							1

LIST OF MATERIALS

DO NOT SCALE DRAWING INTERPRET DIMENSIONS AND TOLERANCES IN ACCORDANCE WITH ASME Y14.5M-94		THIS DRAWING CREATED IN: ACAD <input type="checkbox"/> MECH <input type="checkbox"/> IDEAS <input checked="" type="checkbox"/>		Steward Observatory, University of Arizona 933 N. Cherry Avenue, Tucson, AZ 85721 (520)621-7659	
TOLERANCES UNLESS OTHERWISE SPECIFIED LINEAR .1 - NA .05 - NA .00X - NA ANGULAR NA DIAMETRICAL SEE SPEC S-002		DESIGNED BY: S. MATHEWS	DATE: 8/27/04	CATEGORY: MMT	
MATERIAL -		DRAWN BY: R. NAGY	10/16/04	PROJECT: MAESTRO	
FINISH -		CHECKED BY: G. LANDIS	03/21/05	TITLE: GRATING AXIAL ACTUATOR INSTALLATION	
ASSEMBLY APPLICATION		APPROVED BY: M. REED	05/09/05	DRAWING NUMBER: 13599	
CURRENT TIME/DATE/FILE LOCATION: DRAWING ARCHIVE LOCATION: http://dovinci.as.arizona.edu/ccad/default.html		APPROVED BY: J. BECHTOLD	05/09/05	REVISION: A	
NEXT ASSY USED ON		APPROVED BY: R. WARNER	05/09/05	PLOT SIZE SCALE: D -	