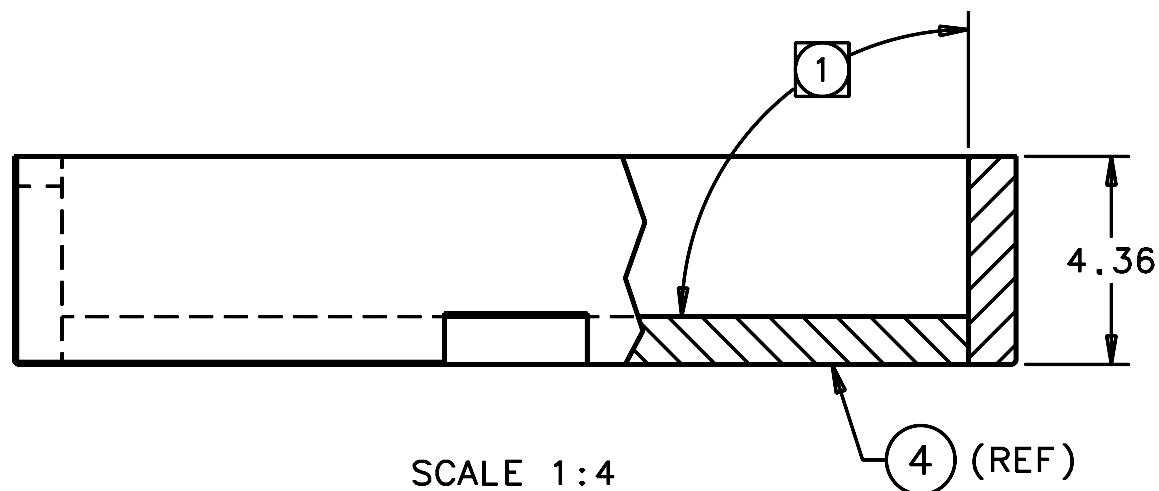
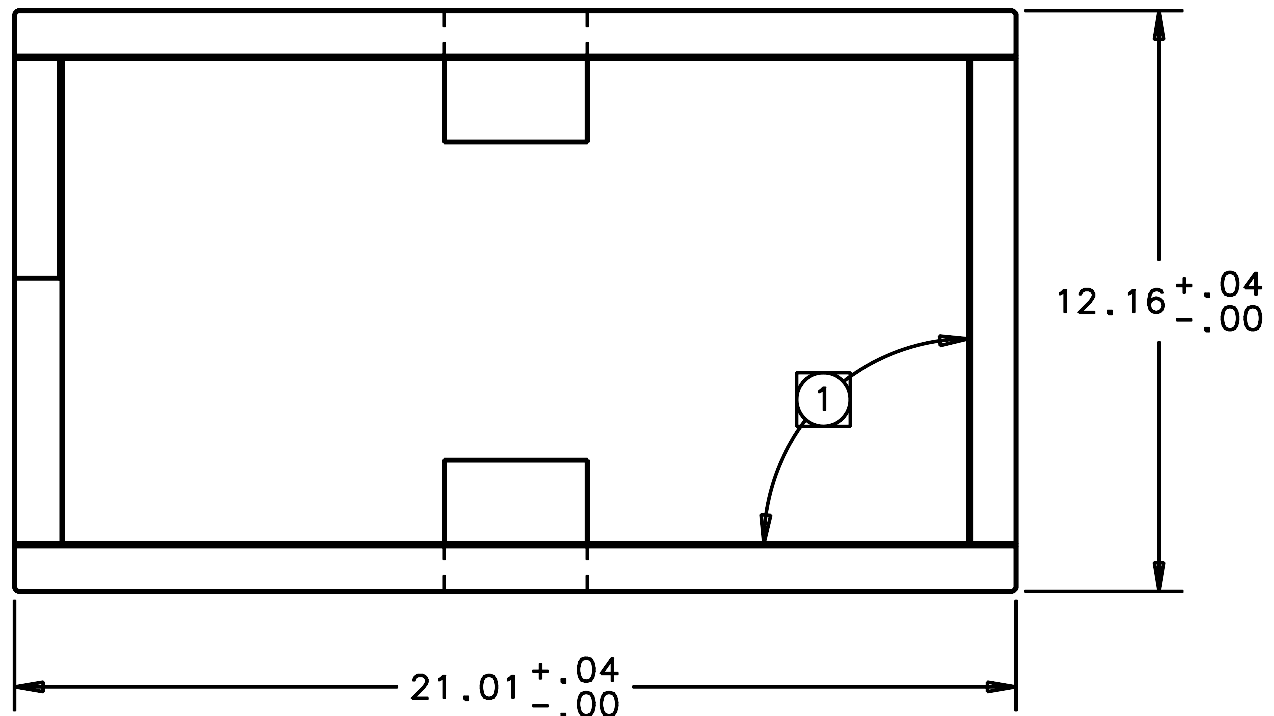
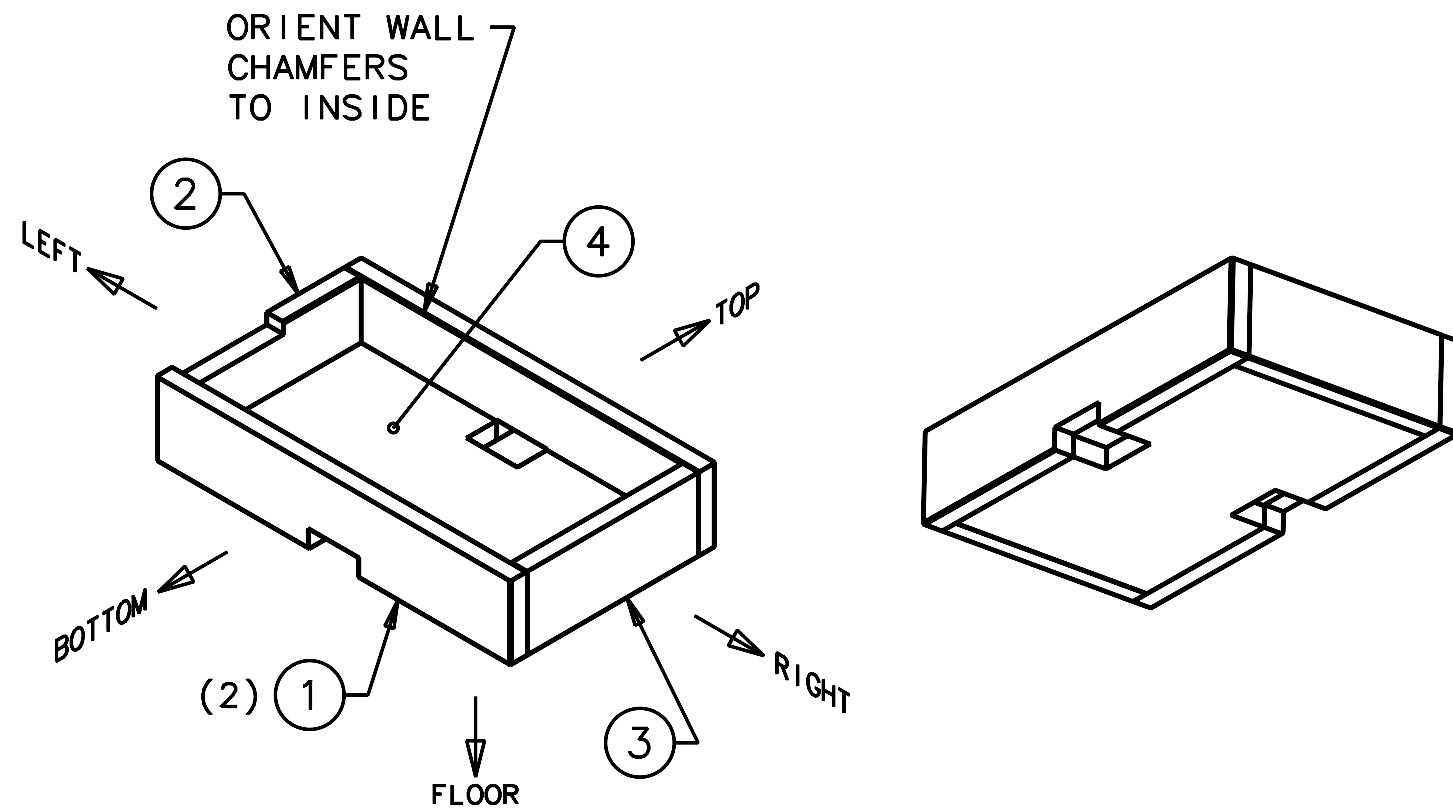


REVISIONS				
LTR	DESCRIPTION	DATE	REVISED BY	APPROVED
A	INITIAL RELEASE	05/09/05	J. BRENNAN	G. LANDIS



SCALE 1:4



2 ISO VIEWS  
SCALE NTS

QTY PER ASSY	-3	-2	-1	PART NUMBER	PART DESCRIPTION	MANUFACTURER or MAT'L SPEC	ITEM NO.
				AR 2216 B/A GRAY	EPOXY ADHESIVE	3M, SCOTCH-WELD	6
							5
				1 14201	FLOOR		4
				1 14200	RIGHT WALL		3
				1 14198	LEFT WALL		2
				2 14197	TOP/BOTTOM WALL		1

LIST OF MATERIALS

DO NOT SCALE DRAWING		THIS DRAWING CREATED IN:			Steward Observatory, University of Arizona					
INTERPRET DIMENSIONS AND TOLERANCES IN ACCORDANCE WITH ASME Y14.5M-94		ACAD	MECH	IDEAS	933 N. Cherry Avenue, Tucson, AZ 85721 (520)621-7659					
TOLERANCES UNLESS OTHERWISE SPECIFIED		<input type="checkbox"/>	<input type="checkbox"/>	<input checked="" type="checkbox"/>	DESIGNED BY: S. MATHEWS/B.C.	DATE: 9/13/04	CATEGORY: MMT			
LINEAR ANGULAR					DRAWN BY: R. NAGY	10/12/04	PROJECT: MAESTRO			
.1 - NA					CHECKED BY: G. LANDIS	03/21/05	TITLE: GRATING CELL SUBSTRATE BOX ASSEMBLY			
.XX - NA					APPROVED: M. REED	05/09/05				
.XXX - NA					APPROVED: J. BECHTOLD	05/09/05				
DIAMETRICAL SEE SPEC 5-002					APPROVED: R. WARNER	05/09/05	PLOT SIZE	SCALE:	DRAWING NUMBER:	REVISION:
MATERIAL							B	-	13598	A
FINISH										
-					ASSEMBLY APPLICATION	CURRENT TIME/DATE/FILE LOCATION:				
						DRAWING ARCHIVE LOCATION: <a href="http://davinci.es.orizona.edu/ocod/dofou11.html">http://davinci.es.orizona.edu/ocod/dofou11.html</a>				

NOTES:

- 1 SQUARE ALL INSIDE CORNERS TO EACH OTHER.
- 2 BOND ALL MATING SURFACES/EDGES OF ITEMS USING ITEM 6.