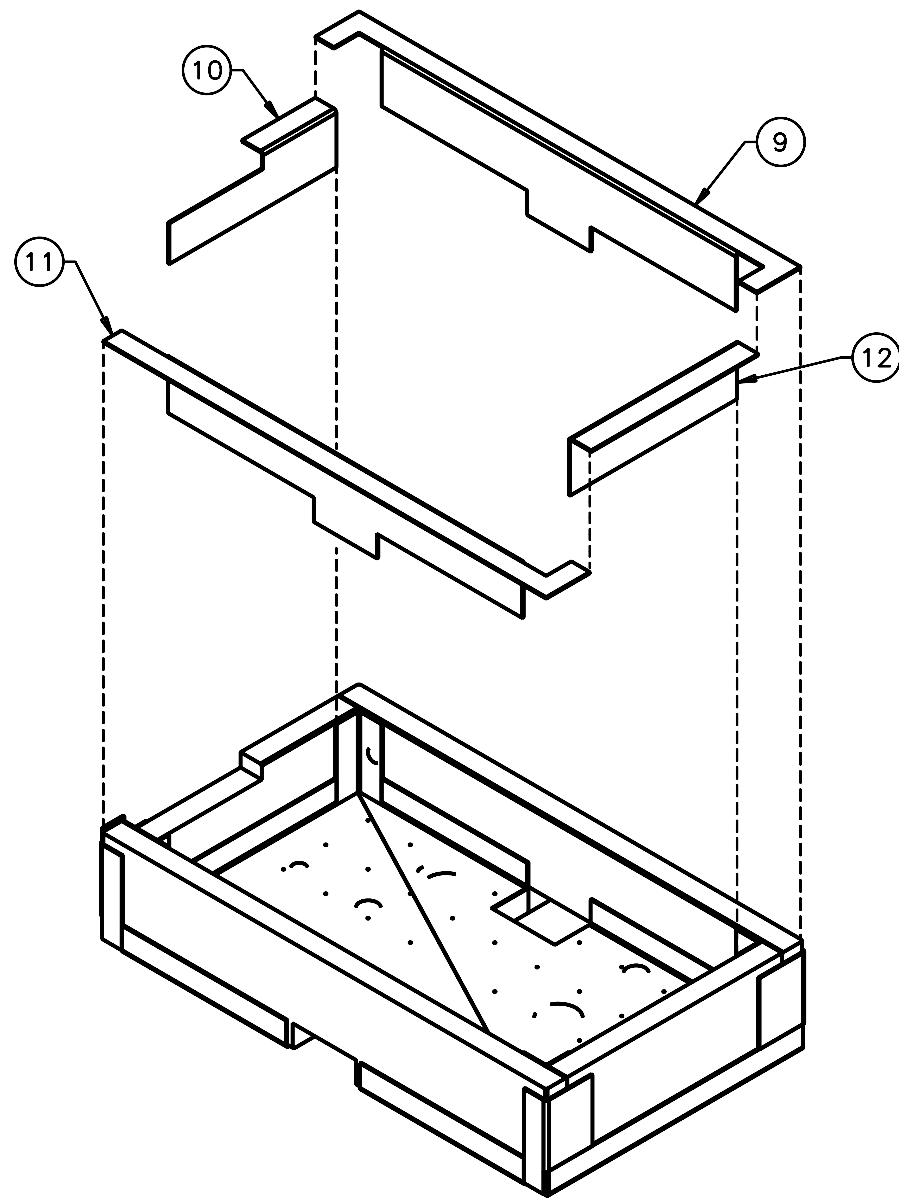
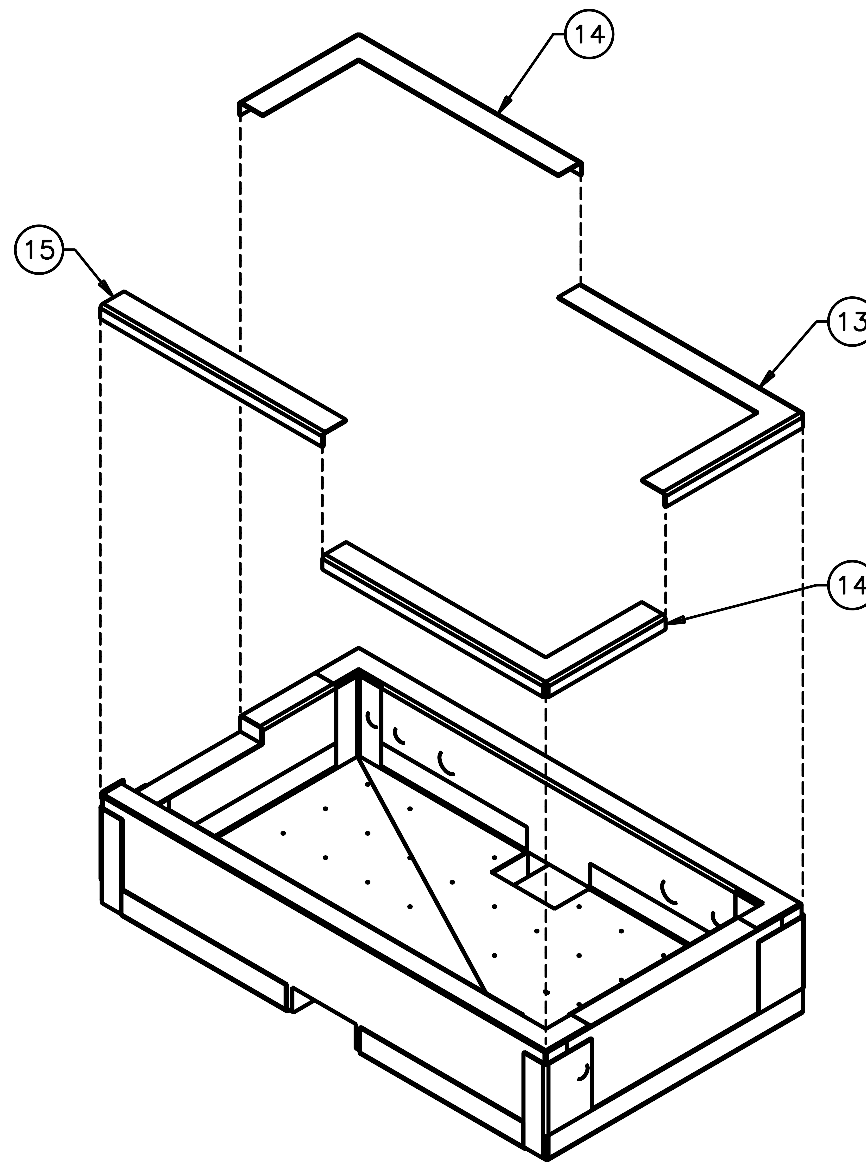


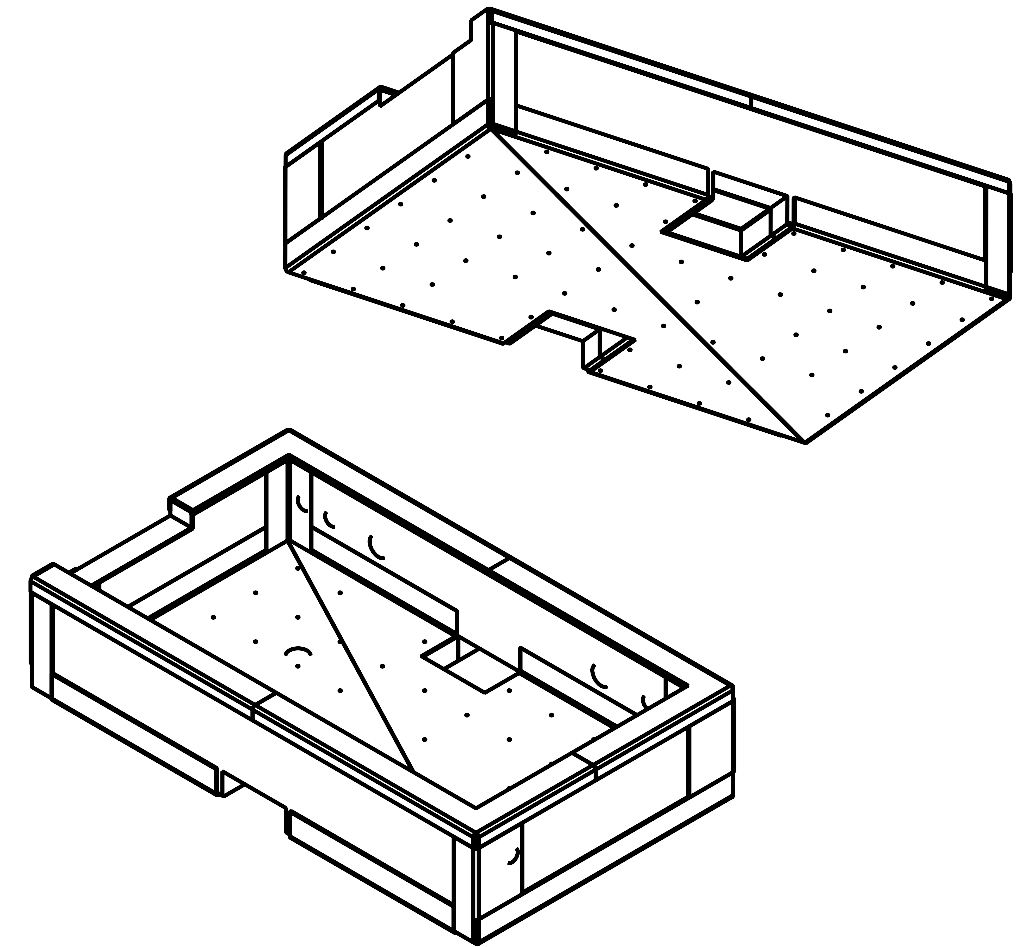
REVISIONS				
LTR	DESCRIPTION	DATE	REVISED BY	APPROVED
A	INITIAL RELEASE	05/11/05	J. BRENNAN	G. LANDIS



① ASSEMBLY STEP 3



① ASSEMBLY STEP 4



COMPLETED ASSEMBLY

SCALE NTS

DO NOT SCALE DRAWING INTERPRET DIMENSIONS AND TOLERANCES IN ACCORDANCE WITH ASME Y14.5M-94		THIS DRAWING CREATED IN: ACAD <input type="checkbox"/> MECH <input type="checkbox"/> IDEAS <input checked="" type="checkbox"/>		Steward Observatory, University of Arizona 933 N. Cherry Avenue, Tucson, AZ 85721 (520)621-7659		
TOLERANCES UNLESS OTHERWISE SPECIFIED LINEAR ANGULAR .1 - NA .05 - NA .02 - NA DIAMETRICAL SEE SPEC S-002		DESIGNED BY: S. MATHEWS		DATE: 9/13/04		CATEGORY: MMT
MATERIAL -		DRAWN BY: R. NAGY		11/1/04		PROJECT: MAESTRO
FINISH -		CHECKED BY: G. LANDIS		03/21/05		TITLE: GRATING CELL STRUCTURAL ASSEMBLY-CLAD
ASSEMBLY APPLICATION		APPROVED: M. REED		05/09/05		APPROVED: J. BECHTOLD
CURRENT TIME/DATE/FILE LOCATION:		APPROVED: R. WARNER		05/09/05		APPROVED:
DRAWING ARCHIVE LOCATION: http://dovinci.as.arizona.edu/ccad/default.html		PLOT SIZE SCALE: D -		DRAWING NUMBER: 13597		REVISION: A