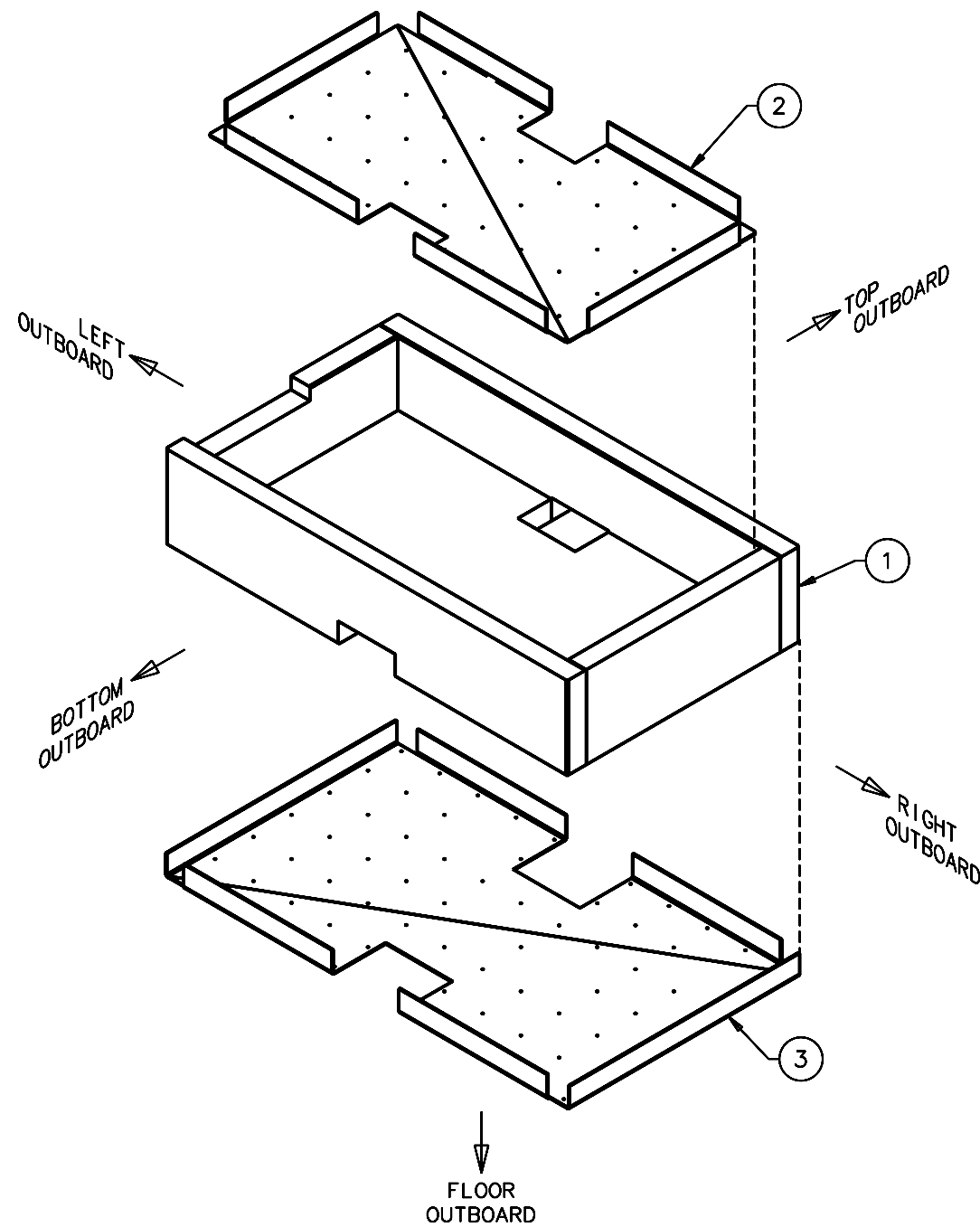
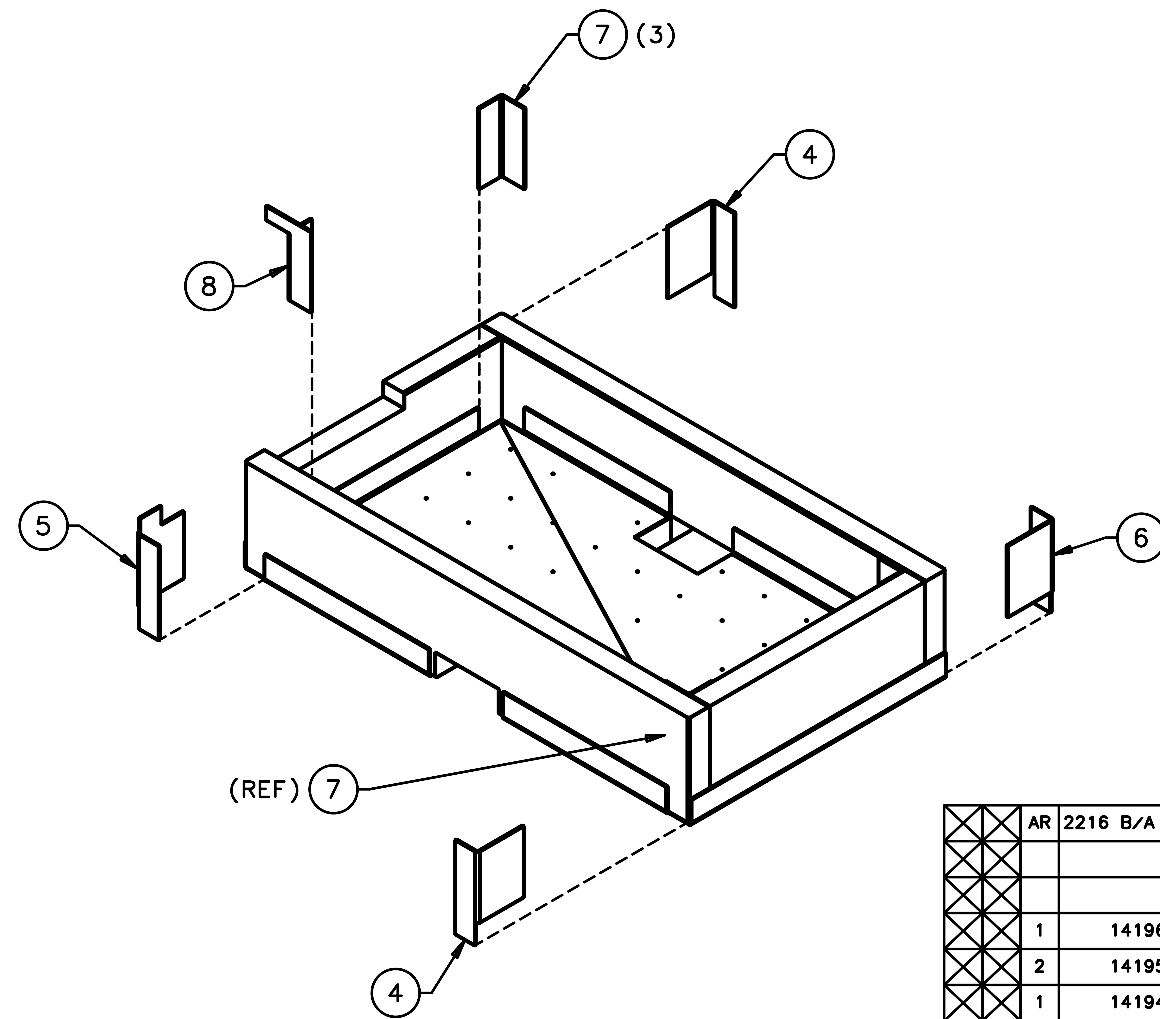


REVISIONS				
LTR	DESCRIPTION	DATE	REVISED BY	APPROVED
A	INITIAL RELEASE	05/11/05	J. BRENNAN	G. LANDIS



**1 ASSEMBLY STEP 1**



**1 ASSEMBLY STEP 2**

**ISO VIEWS**  
 SCALE NTS  
 CONTINUED ON SHT 2;  
 ADDITIONAL ASSEMBLY VIEWS ON SHT 3

- NOTES:
- 1. 1 REQUIRED.
  - 2. BOND ALL MATING SURFACES/EDGES OF ITEMS USING ITEM 18.

QTY PER ASSY	-3	-2	-1	PART NUMBER	PART DESCRIPTION	MANUFACTURER or MAT'L SPEC	ITEM NO.
				AR 2216 B/A GRAY	EPOXY ADHESIVE	3M, SCOTCH-WELD	18
							17
							16
				1	14196	EDGE CLIP-BOTTOM LEFT	15
				2	14195	EDGE CLIP-TOP LEFT/BOTTOM RIGHT	14
				1	14194	EDGE CLIP-TOP RIGHT	13
				1	14193	WALL CLADDING-INBOARD-RIGHT	12
				1	14192	WALL CLADDING-INBOARD-BOTTOM	11
				1	14191	WALL CLADDING-INBOARD-LEFT	10
				1	14190	WALL CLADDING-INBOARD-TOP	9
				1	14189	CORNER CLIP-INBOARD-BOTTOM LEFT	8
				3	13611	CORNER CLIP-INBOARD-TOP LEFT/TOP RIGHT/BOTTOM RIGHT	7
				1	13610	CORNER CLIP-OUTBOARD-TOP RIGHT	6
				1	13608	CORNER CLIP-OUTBOARD-BOTTOM LEFT	5
				2	13607	CORNER CLIP-OUTBOARD-TOP LEFT/BOTTOM RIGHT	4
				1	13606	FLOOR CLADDING-OUTBOARD	3
				1	13605	FLOOR CLADDING-INBOARD	2
				1	13598	SUBSTRATE BOX ASSEMBLY	1

DO NOT SCALE DRAWING INTERPRET DIMENSIONS AND TOLERANCES IN ACCORDANCE WITH ASME Y14.5M-94		THIS DRAWING CREATED IN: ACAD <input type="checkbox"/> MECH <input type="checkbox"/> IDEAS <input checked="" type="checkbox"/>		Steward Observatory, University of Arizona 933 N. Cherry Avenue, Tucson, AZ 85721 (520)621-7659	
TOLERANCES UNLESS OTHERWISE SPECIFIED LINEAR            ANGULAR .1       - NA            NA .05      - NA .02      - NA DIAMETRICAL SEE SPEC S-002		DESIGNED BY: S. MATHEWS	DATE: 9/13/04	CATEGORY: MMT	
MATERIAL -		DRAWN BY: R. NAGY	11/1/04	PROJECT: MAESTRO	
FINISH -		CHECKED BY: G. LANDIS	03/21/05	TITLE: GRATING CELL STRUCTURAL ASSEMBLY-CLAD	
NEXT ASSY USED ON		APPROVED: M. REED	05/09/05	APPROVED: J. BECHTOLD	
ASSEMBLY APPLICATION		APPROVED: R. WARNER	05/09/05	PLOT SIZE SCALE: D -	DRAWING NUMBER: 13597
CURRENT TIME/DATE/FILE LOCATION:		DRAWING ARCHIVE LOCATION: <a href="http://devinci.as.arizona.edu/ccad/default.html">http://devinci.as.arizona.edu/ccad/default.html</a>		REVISION: A	SHEET 1 OF 3