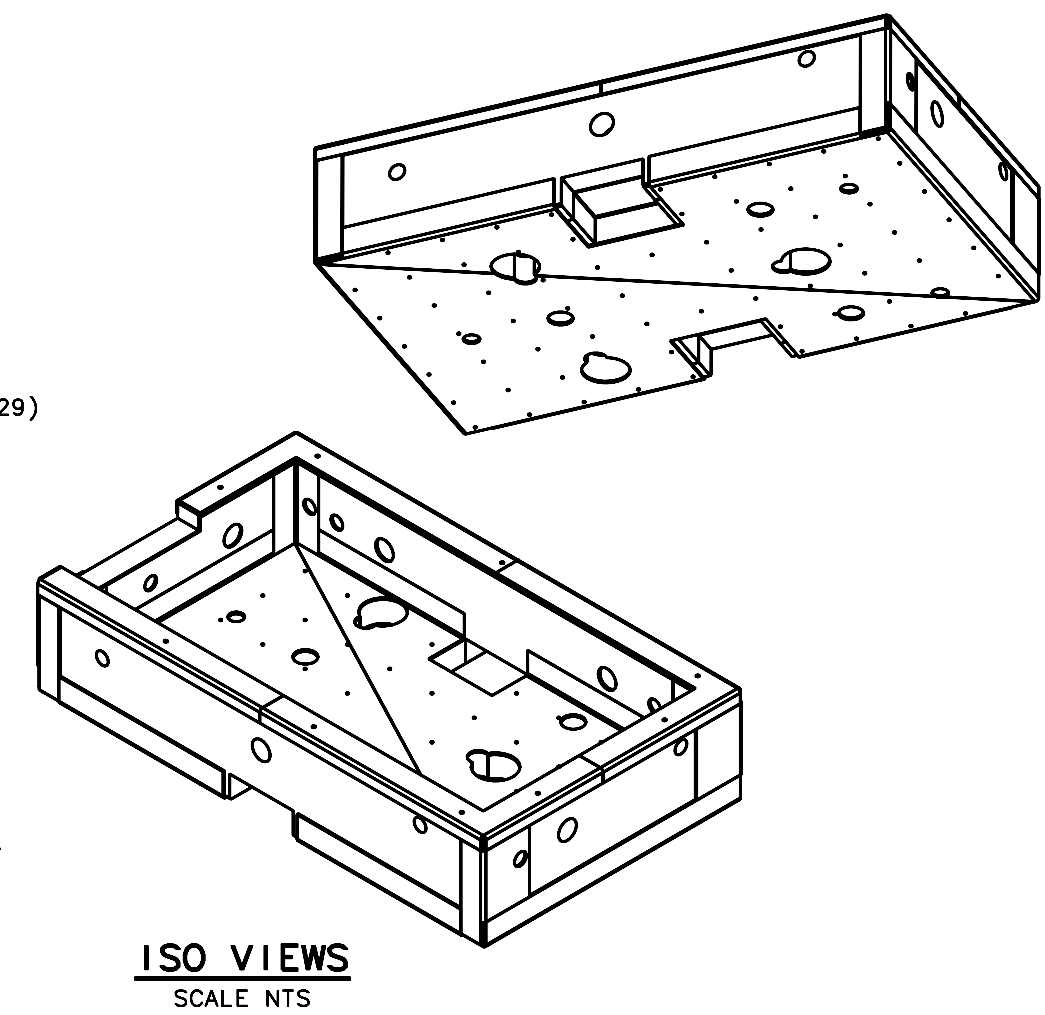
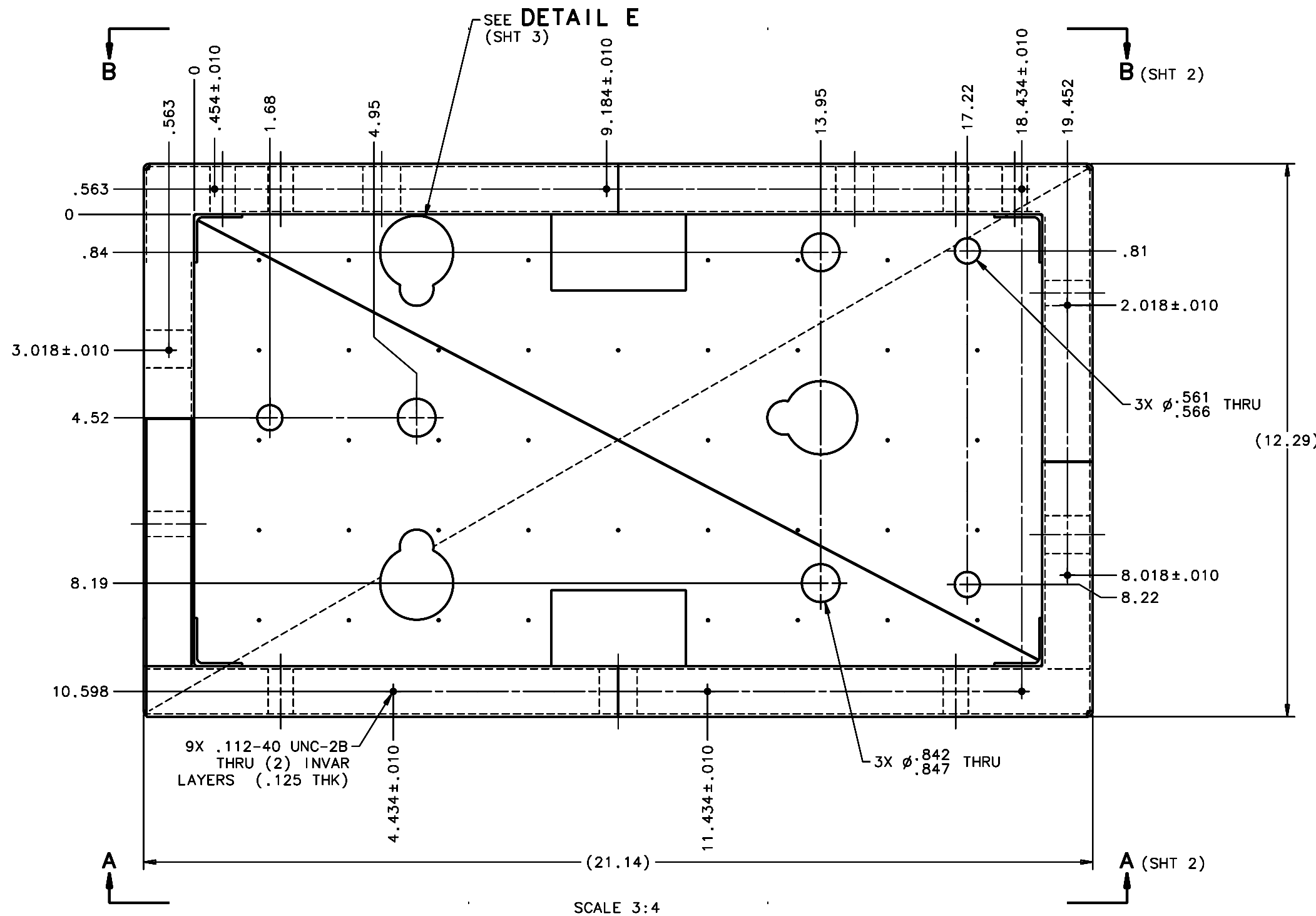


REVISIONS				
LTR	DESCRIPTION	DATE	REVISED BY	APPROVED
1	PRE-RELEASE	-	R. NAGY	-



NOTES:

1. 1 REQUIRED.
2. MAKE FROM 13597 STRUCTURAL ASSEMBLY-CLAD.
3. FOR "0" ORIGIN NOTED, PICK SURFACE/EDGE STARTING POINT SO INDICATED HOLE DO NOT CUT INTO VERTICAL INVAR CLAD.

1	13597	GRADING CELL STRUCTURAL ASSEMBLY-CLAD	1
-3	-2	-1	
QTY PER ASSY		PART NUMBER	PART DESCRIPTION
LIST OF MATERIALS			
DO NOT SCALE DRAWING INTERPRET DIMENSIONS AND TOLERANCES IN ACCORDANCE WITH ASME Y14.5M-94			
THIS DRAWING CREATED IN: <input type="checkbox"/> ACAD <input type="checkbox"/> MECH <input checked="" type="checkbox"/> IDEAS		Steward Observatory, University of Arizona 933 N. Cherry Avenue, Tucson, AZ 85721 (520)621-7659	
TOLERANCES UNLESS OTHERWISE SPECIFIED LINEAR                      ANGULAR .X        = .04                      ±1° .XX      = ±.02 .XXX     = ±.005 DIAMETRICAL SEE SPEC S-002		DESIGNED BY: S. MATHEWS	DATE: 9/13/04
MATERIAL 13595    MMT-MAESTRO		DRAWN BY: R. NAGY	CATEGORY: MMT
FINISH -		CHECKED BY: G. LANDIS	PROJECT: MAESTRO
ASSEMBLY APPLICATION		APPROVED BY: M. REED	TITLE: GRATING CELL STRUCTURAL ASSEMBLY-MACHINED
CURRENT TIME/DATE/FILE LOCATION: DRAWING ARCHIVE LOCATION: <a href="http://dovinci.as.arizona.edu/ccad/default.html">http://dovinci.as.arizona.edu/ccad/default.html</a>		APPROVED BY: J. BECHTOLD	PLLOT SIZE SCALE: D -
NEXT ASSY    USED ON		APPROVED BY: R. WARNER	DRAWING NUMBER: 13596
SHEET 1 OF 3			REVISION: A