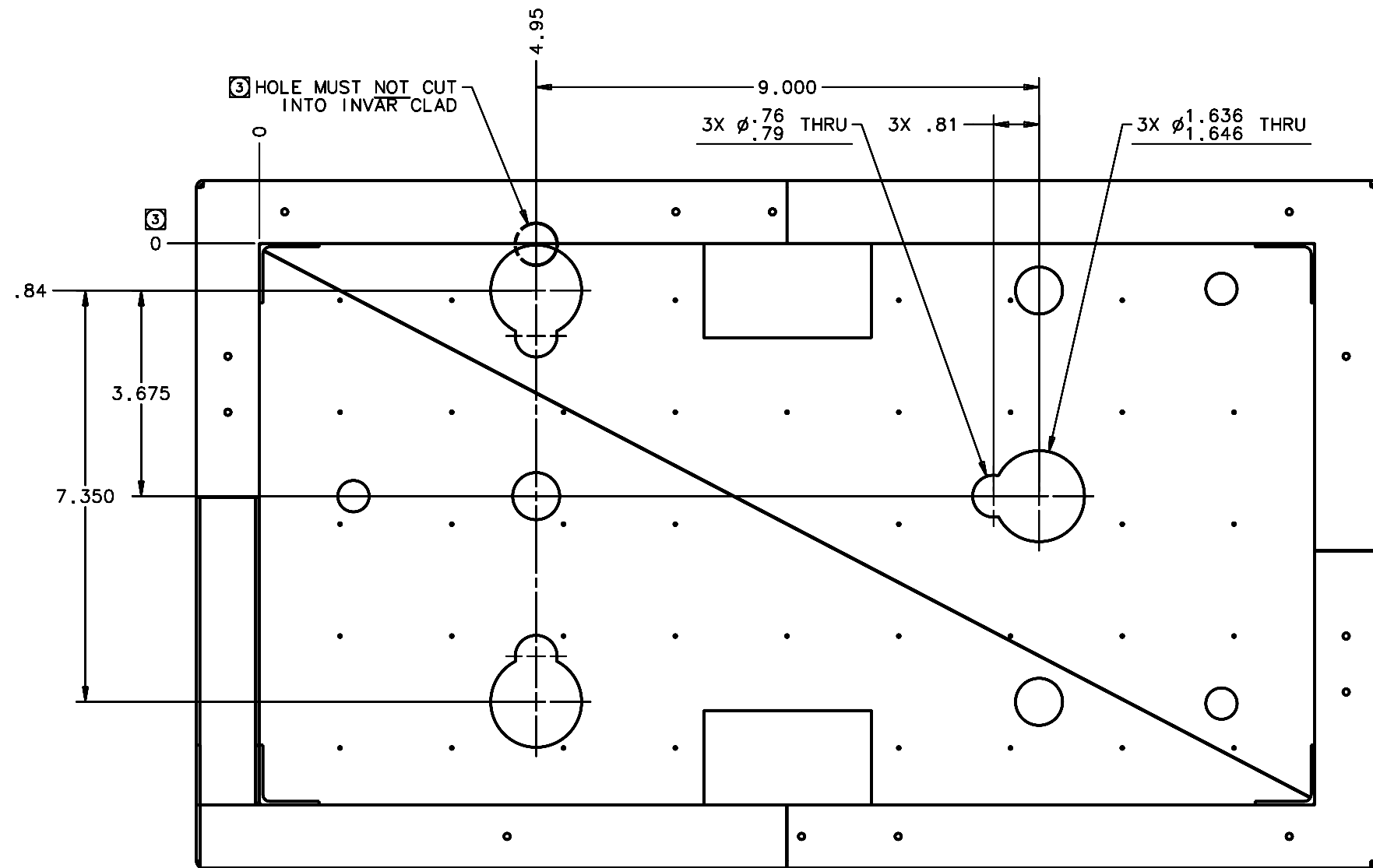
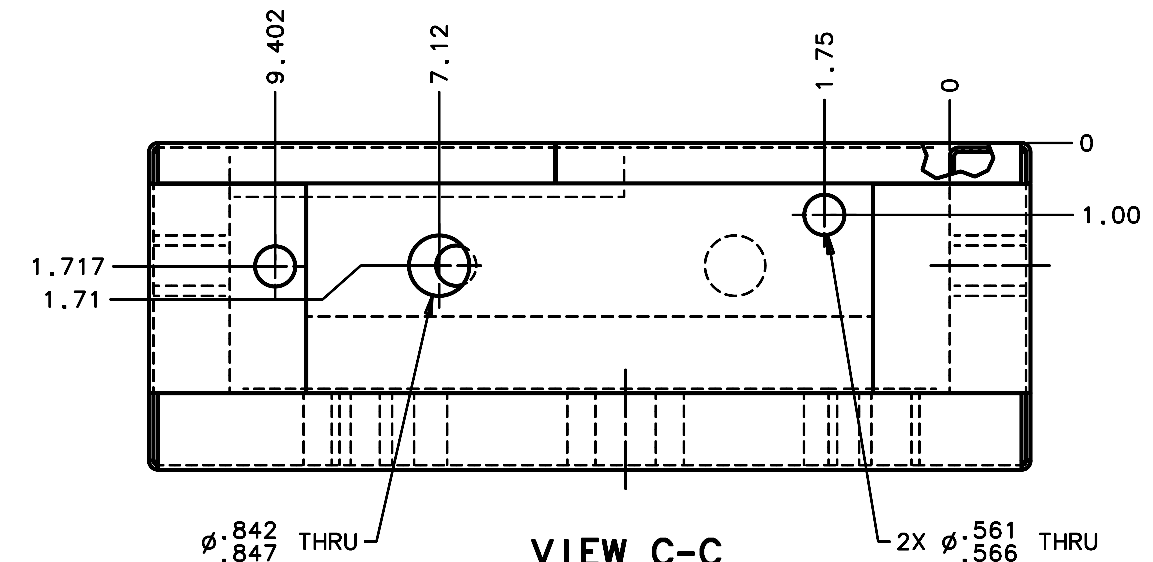


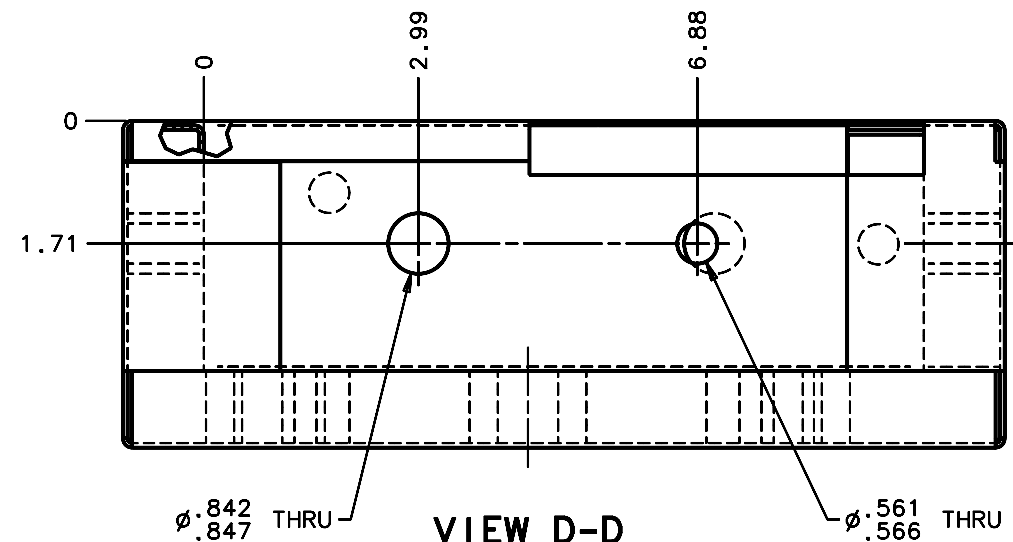
REVISIONS				
LTR	DESCRIPTION	DATE	REVISED BY	APPROVED
A	INITIAL RELEASE	05/11/05	J. BRENNAN	G. LANDIS



**DETAIL E**  
(SHT 1)  
SCALE 3:4



**VIEW C-C**  
(SHT 2)  
SCALE 3:4



**VIEW D-D**  
(SHT 2)  
SCALE 3:4

DO NOT SCALE DRAWING		THIS DRAWING CREATED IN:		Steward Observatory, University of Arizona	
INTERPRET DIMENSIONS AND TOLERANCES IN ACCORDANCE WITH ASME Y14.5M-94		ACAD <input type="checkbox"/>	MECH <input type="checkbox"/>	IDEAS <input checked="" type="checkbox"/>	933 N. Cherry Avenue, Tucson, AZ 85721 (520)621-7659
TOLERANCES UNLESS OTHERWISE SPECIFIED		DESIGNED BY: S. MATHEWS		DATE: 9/13/04	CATEGORY: MMT
LINEAR .XX = ±.02		DRAWN BY: R. NAGY		11/3/04	PROJECT: MAESTRO
ANGULAR .XXX = ±.005		CHECKED BY: G. LANDIS		03/21/05	TITLE: GRATING CELL STRUCTURAL ASSEMBLY-MACHINED
DIAMETRICAL SEE SPEC S-002		APPROVED: M. REED		05/11/05	
FINISH -		APPROVED: J. BECHTOLD		05/11/05	
MATERIAL -		APPROVED: R. WARNER		05/11/05	
NEXT ASSY -		ASSEMBLY APPLICATION		CURRENT TIME/DATE/FILE LOCATION:	PLOT SIZE SCALE: D -
				DRAWING ARCHIVE LOCATION: <a href="http://dovinci.as.arizona.edu/ccad/default.html">http://dovinci.as.arizona.edu/ccad/default.html</a>	DRAWING NUMBER: 13596
					REVISION: A