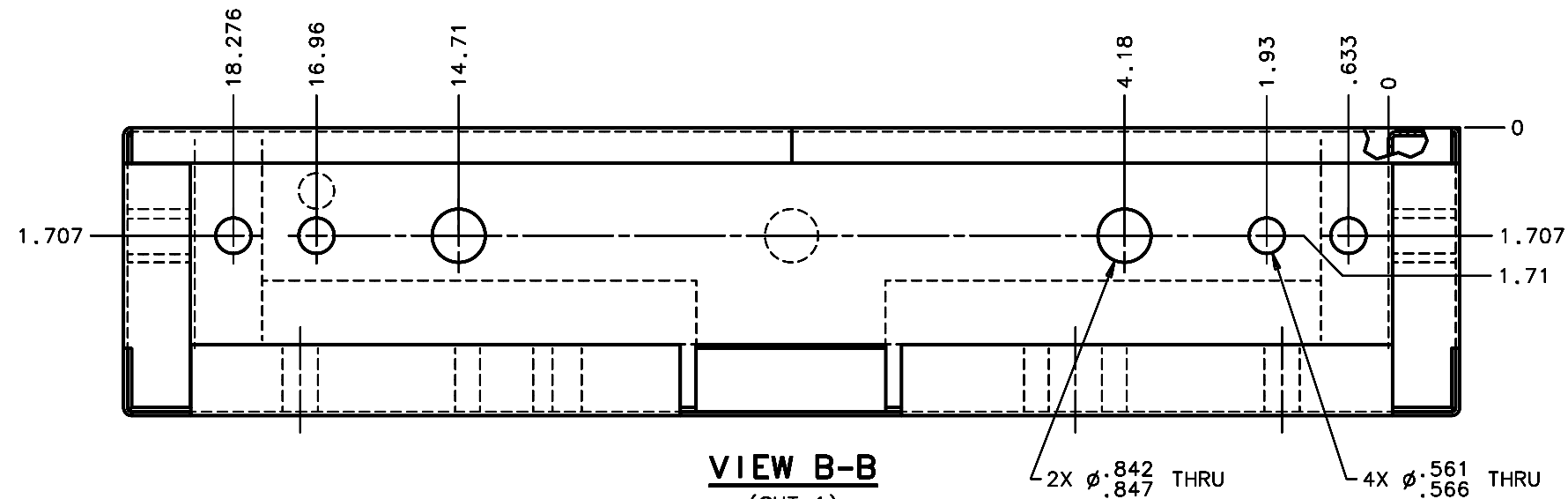
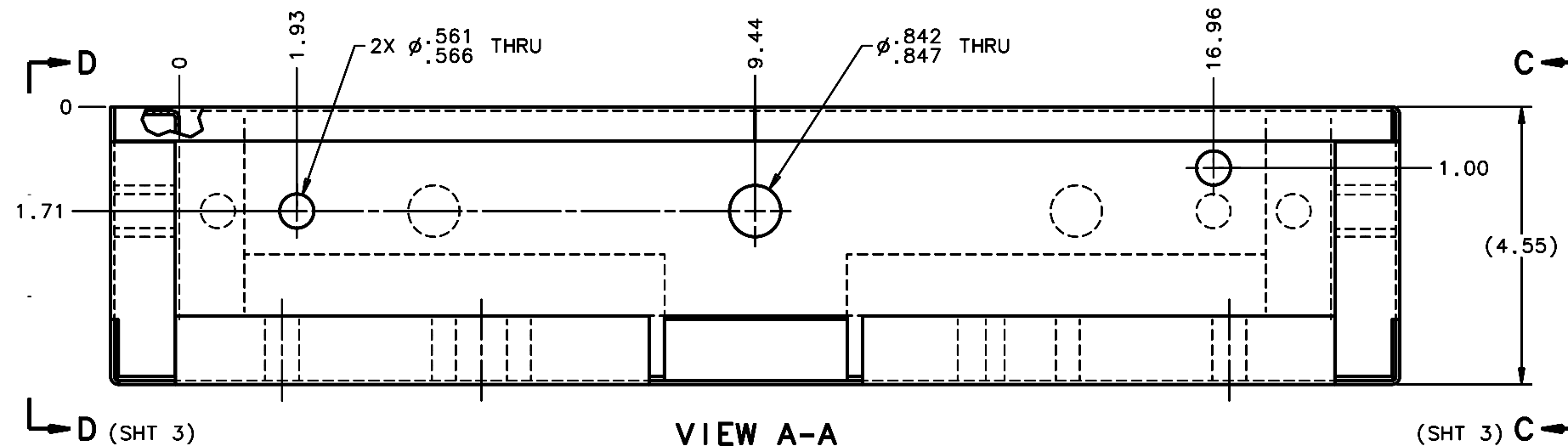


REVISIONS				
LTR	DESCRIPTION	DATE	REVISED BY	APPROVED
A	INITIAL RELEASE	05/11/05	J. BRENNAN	G. LANDIS



VIEW B-B
(SHT 1)
SCALE 3:4
ROTATED 180° CW



VIEW A-A
(SHT 1)
SCALE 3:4

DO NOT SCALE DRAWING INTERPRET DIMENSIONS AND TOLERANCES IN ACCORDANCE WITH ASME Y14.5M-94	THIS DRAWING CREATED IN:			Steward Observatory, University of Arizona 933 N. Cherry Avenue, Tucson, AZ 85721 (520)621-7659			
	ACAD <input type="checkbox"/>	MECH <input type="checkbox"/>	IDEAS <input checked="" type="checkbox"/>	DESIGNED BY: S. MATHEWS	DATE: 9/13/04	CATEGORY: MMT	
TOLERANCES UNLESS OTHERWISE SPECIFIED LINEAR ANGLULAR .1 = .001 .2 = .002 .3 = .003 DIAMETRICAL SEE SPEC S-002				DRAWN BY: R. NAGY	11/3/04	PROJECT: MAESTRO	
				CHECKED BY: G. LANDIS	03/21/05	TITLE: GRATING CELL STRUCTURAL ASSEMBLY-MACHINED	
MATERIAL	13595	MMT-MAESTRO		APPROVED: M. REED	05/11/05	PLOT SIZE SCALE: D -	DRAWING NUMBER: 13596
		NEXT ASSY USED ON		APPROVED: J. BECHTOLD	05/11/05		
FINISH		ASSEMBLY APPLICATION		APPROVED: R. WARNER	05/11/05		REVISION: A
CURRENT TIME/DATE/FILE LOCATION:				DRAWING ARCHIVE LOCATION: http://dovinci.as.arizona.edu/ccad/default.html			