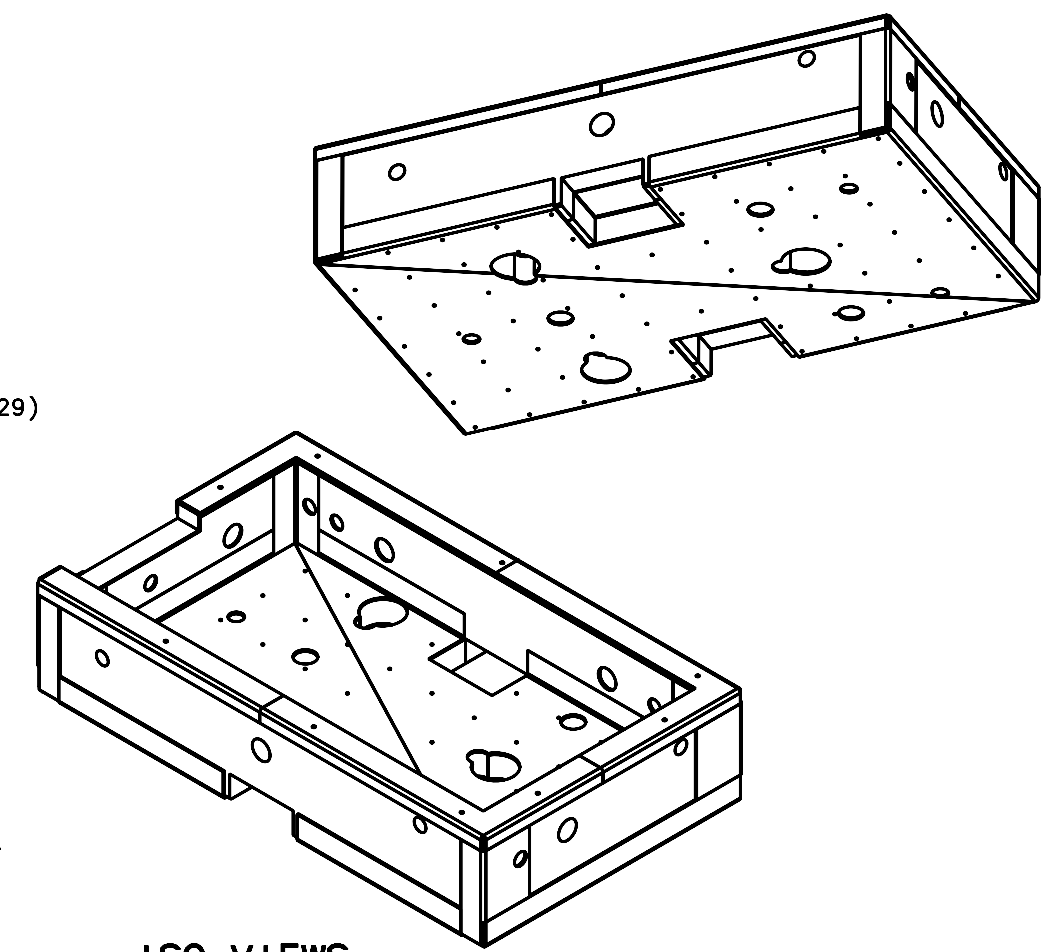
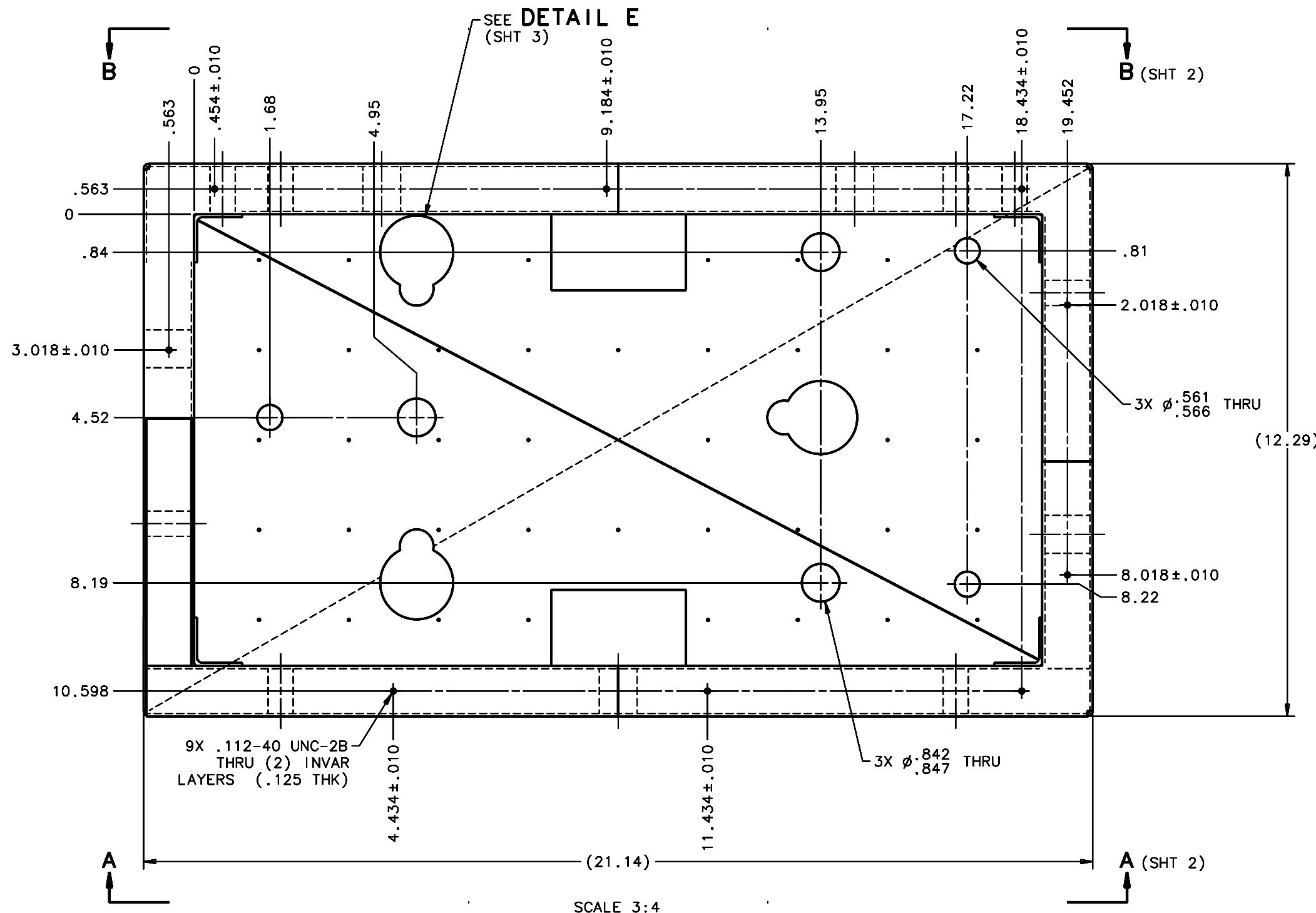


REVISIONS				
LTR	DESCRIPTION	DATE	REVISED BY	APPROVED
A	INITIAL RELEASE	05/11/05	J. BRENNAN	G. LANDIS



ISO VIEWS  
SCALE NTS

SCALE 3:4

NOTES:

1. 1 REQUIRED.
2. MAKE FROM 13597 STRUCTURAL ASSEMBLY-CLAD.
3. FOR "0" ORIGIN NOTED, PICK SURFACE/EDGE STARTING POINT SO INDICATED HOLE DO NOT CUT INTO VERTICAL INVAR CLAD.

1	13597	GRADING CELL STRUCTURAL ASSEMBLY-CLAD	1
-3	-2	-1	
QTY PER ASSY		PART NUMBER	PART DESCRIPTION
LIST OF MATERIALS			
Steward Observatory, University of Arizona 933 N. Cherry Avenue, Tucson, AZ 85721 (520)621-7659			
DESIGNED BY: S. MATHEWS	DATE: 9/13/04	CATEGORY: MMT	ITEM NO.:
DRAWN BY: R. NAGY	DATE: 11/3/04	PROJECT: MAESTRO	
CHECKED BY: G. LANDIS	DATE: 03/21/05	TITLE: GRATING CELL STRUCTURAL ASSEMBLY-MACHINED	
APPROVED: M. REED	DATE: 05/11/05		
APPROVED: J. BECHTOLD	DATE: 05/11/05		
APPROVED: R. WARNER	DATE: 05/11/05		
MATERIAL		13595	MMT-MAESTRO
FINISH			
NEXT ASSY		USED ON	
ASSEMBLY APPLICATION		CURRENT TIME/DATE/FILE LOCATION:	DRAWING NUMBER: 13596
DRAWING ARCHIVE LOCATION: <a href="http://dovinci.as.arizona.edu/ccad/default.html">http://dovinci.as.arizona.edu/ccad/default.html</a>		PLOT SIZE SCALE: D -	REVISION: A