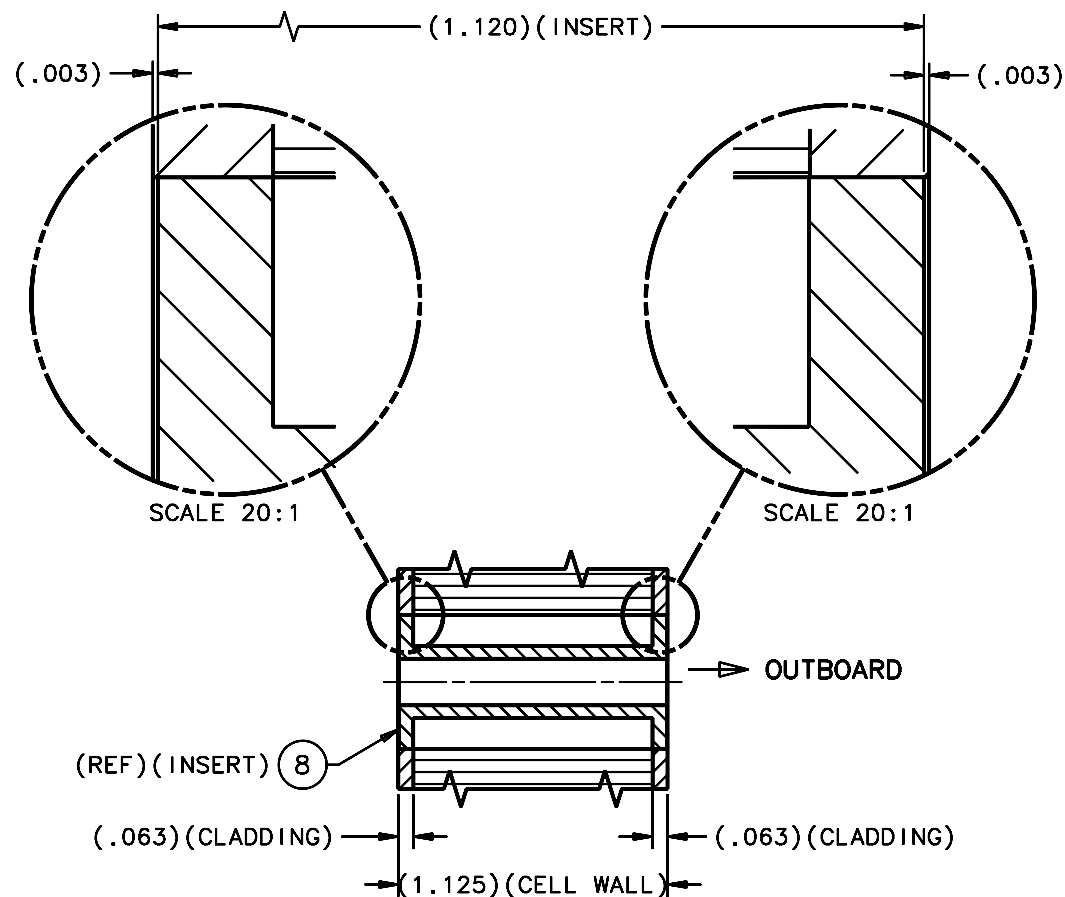
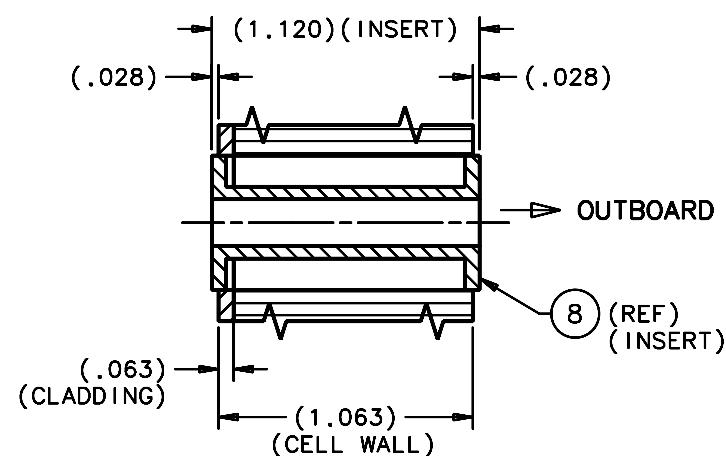


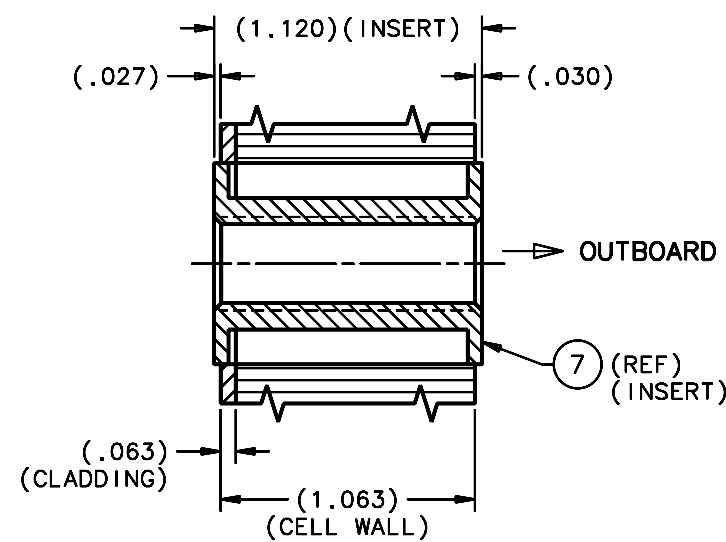
REVISIONS				
LTR	DESCRIPTION	DATE	REVISED BY	APPROVED
A	INITIAL RELEASE	05/11/05	J. BRENNAN	G. LANDIS



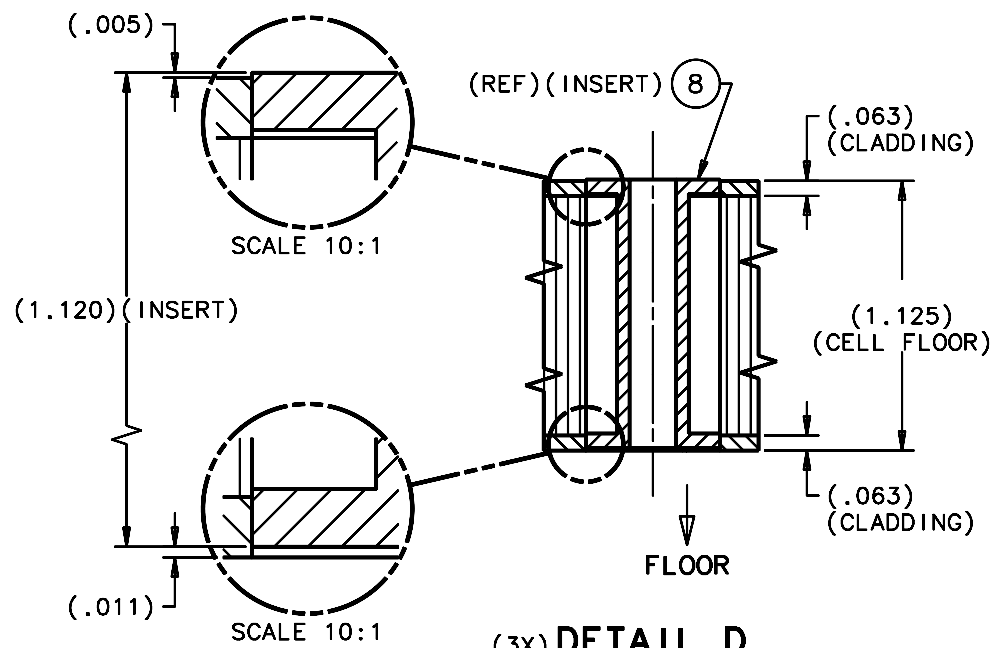
(1X) **DETAIL A**
(SHT 1)
SCALE 2 1/2:1;
RIGHT WALL



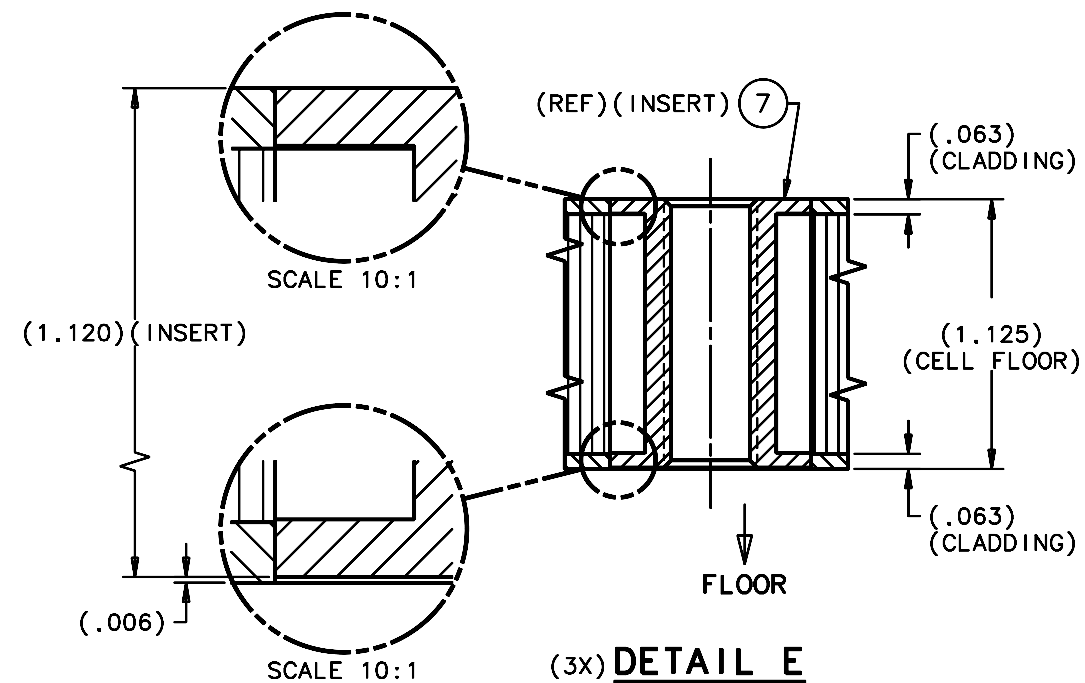
(8X) **DETAIL B**
(SHT 1)
SCALE 2 1/2:1;
LEFT, RIGHT, TOP, BOTTOM WALLS



(5X) **DETAIL C**
(SHT 1)
SCALE 2 1/2:1;
LEFT, RIGHT, TOP, BOTTOM WALLS



(3X) **DETAIL D**
(SHT 1)
SCALE 2 1/2:1



(3X) **DETAIL E**
(SHT 1)
SCALE 2 1/2:1

DO NOT SCALE DRAWING	THIS DRAWING CREATED IN:		Steward Observatory, University of Arizona		
INTERPRET DIMENSIONS AND TOLERANCES IN ACCORDANCE WITH ASME Y14.5M-94	ACAD <input type="checkbox"/>	MECH <input type="checkbox"/>	IDEAS <input checked="" type="checkbox"/>	933 N. Cherry Avenue, Tucson, AZ 85721 (520)621-7659	
TOLERANCES UNLESS OTHERWISE SPECIFIED	DESIGNED BY: S. MATHEWS		DATE: 9/14/04	CATEGORY: MMT	
LINEAR	DRAWN BY: R. NAGY		11/4/04	PROJECT: MAESTRO	
ANGULAR	CHECKED BY: G. LANDIS		03/21/05	TITLE: GRATING CELL STRUCTURAL ASSEMBLY	
.1 - NA	APPROVED: M. REED		05/11/05		
.2 - NA	APPROVED: J. BECHTOLD		05/11/05		
.3 - NA	APPROVED: R. WARNER		05/11/05		
DIAMETRICAL SEE SPEC S-002	APPROVED:				
FINISH 3	MATERIAL	13434	MMT-MAESTRO	PLOT SIZE SCALE: D -	DRAWING NUMBER: 13595
	NEXT ASSY	USED ON	REVISION: A		
	ASSEMBLY APPLICATION		CURRENT TIME/DATE/FILE LOCATION:		
			DRAWING ARCHIVE LOCATION: http://devincl.as.arizona.edu/ccad/default.html		