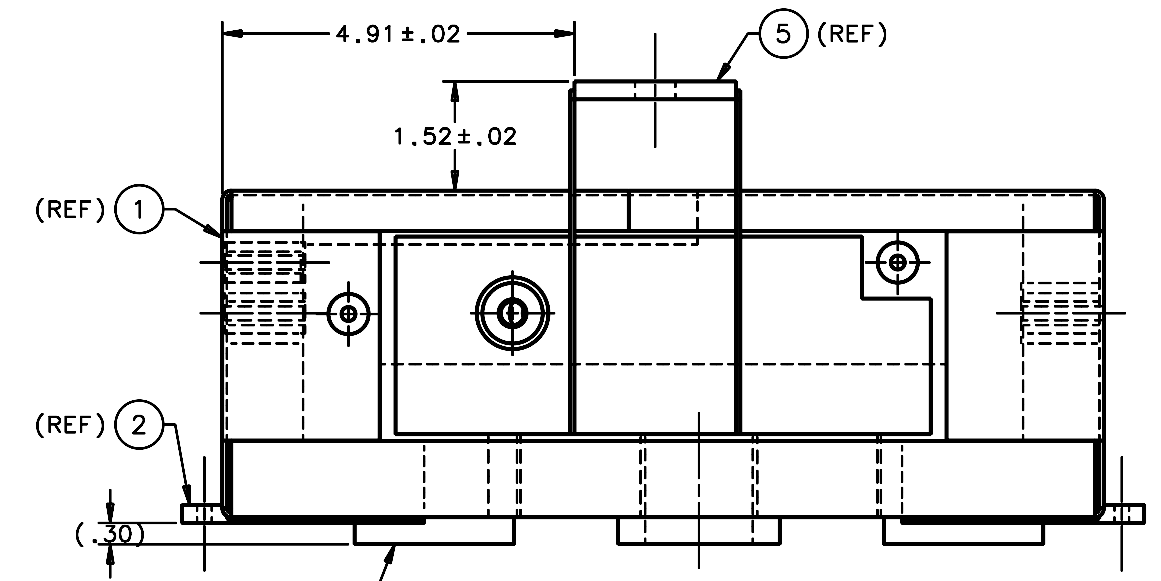
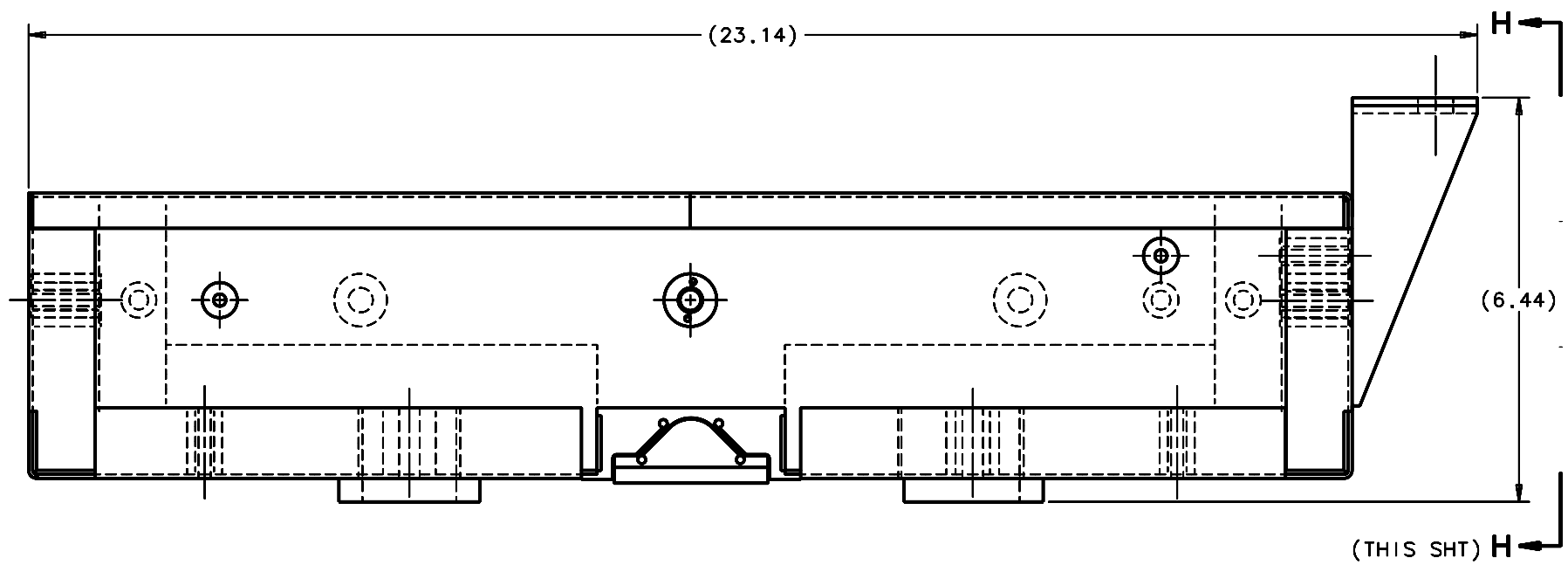
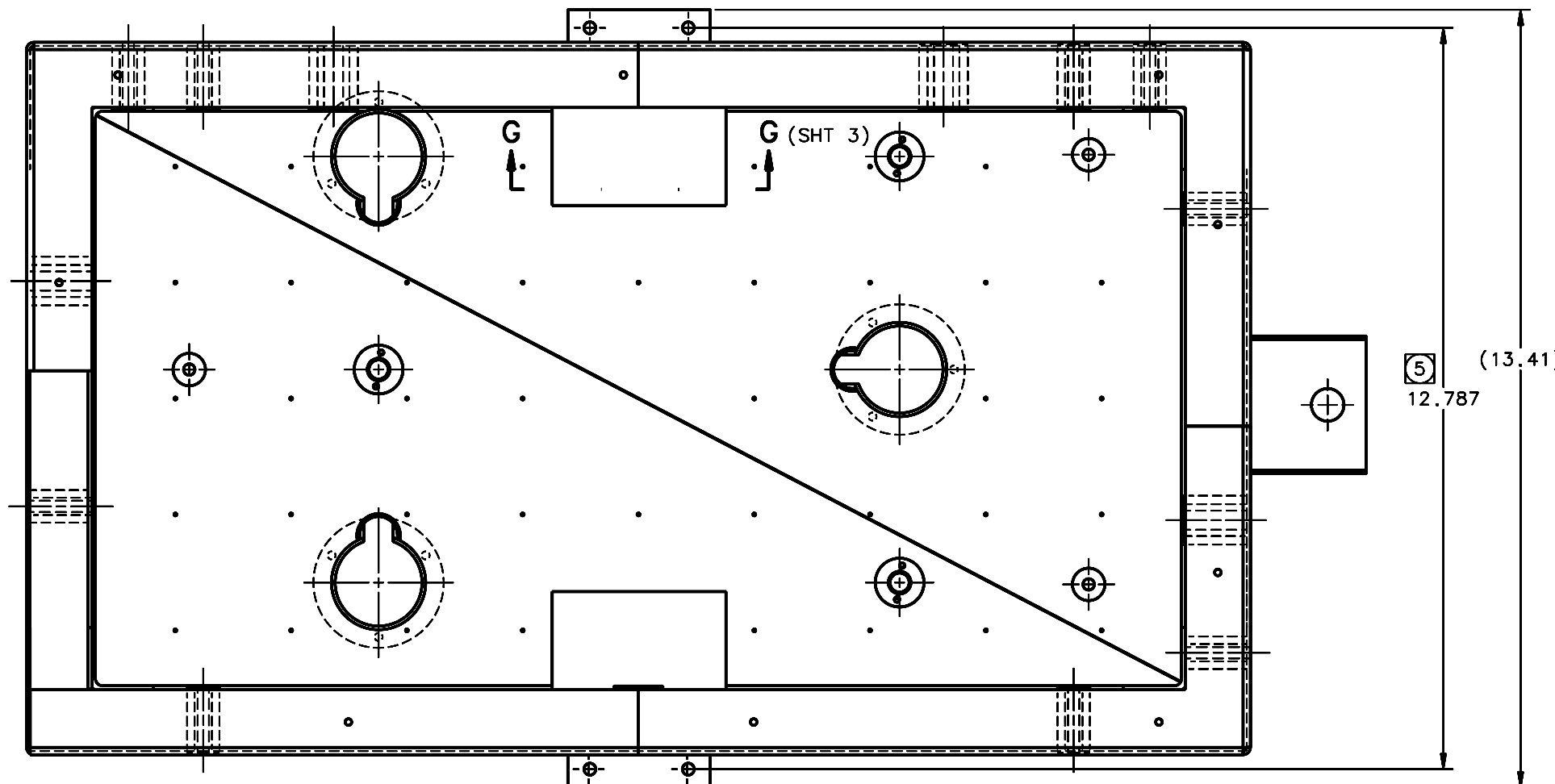


REVISIONS				
LTR	DESCRIPTION	DATE	REVISED BY	APPROVED
A	INITIAL RELEASE	05/11/05	J. BRENNAN	G. LANDIS



VIEW H-H
(THIS SHT)
SCALE 3:4

DO NOT SCALE DRAWING INTERPRET DIMENSIONS AND TOLERANCES IN ACCORDANCE WITH ASME Y14.5M-94		THIS DRAWING CREATED IN: ACAD <input type="checkbox"/> MECH <input type="checkbox"/> IDEAS <input checked="" type="checkbox"/>		Steward Observatory, University of Arizona 933 N. Cherry Avenue, Tucson, AZ 85721 (520)621-7659		
TOLERANCES UNLESS OTHERWISE SPECIFIED LINEAR .XX - NA .XXX - NA ANGULAR NA DIAMETRICAL SEE SPEC S-002		DESIGNED BY: S. MATHEWS	DATE: 9/14/04	CATEGORY: MMT		
MATERIAL -		DRAWN BY: R. NAGY	11/4/04	PROJECT: MAESTRO		
FINISH 3		CHECKED BY: G. LANDIS	03/21/05	TITLE: GRATING CELL STRUCTURAL ASSEMBLY		
ASSEMBLY APPLICATION		APPROVED: M. REED	05/11/05	PLOT SIZE SCALE: D -		
		APPROVED: J. BECHTOLD	05/11/05	DRAWING NUMBER: 13595		REVISION: A
		APPROVED: R. WARNER	05/11/05	CURRENT TIME/DATE/FILE LOCATION: DRAWING ARCHIVE LOCATION: http://dovinci.as.arizona.edu/ccad/default.html		