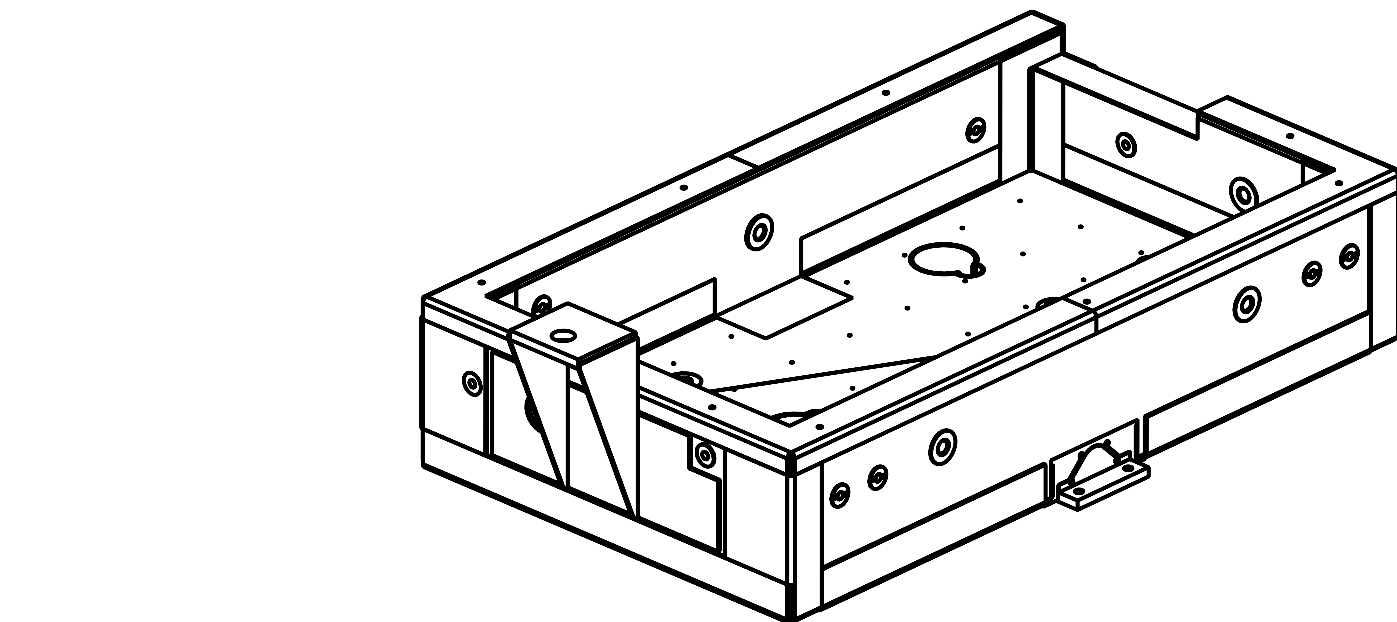
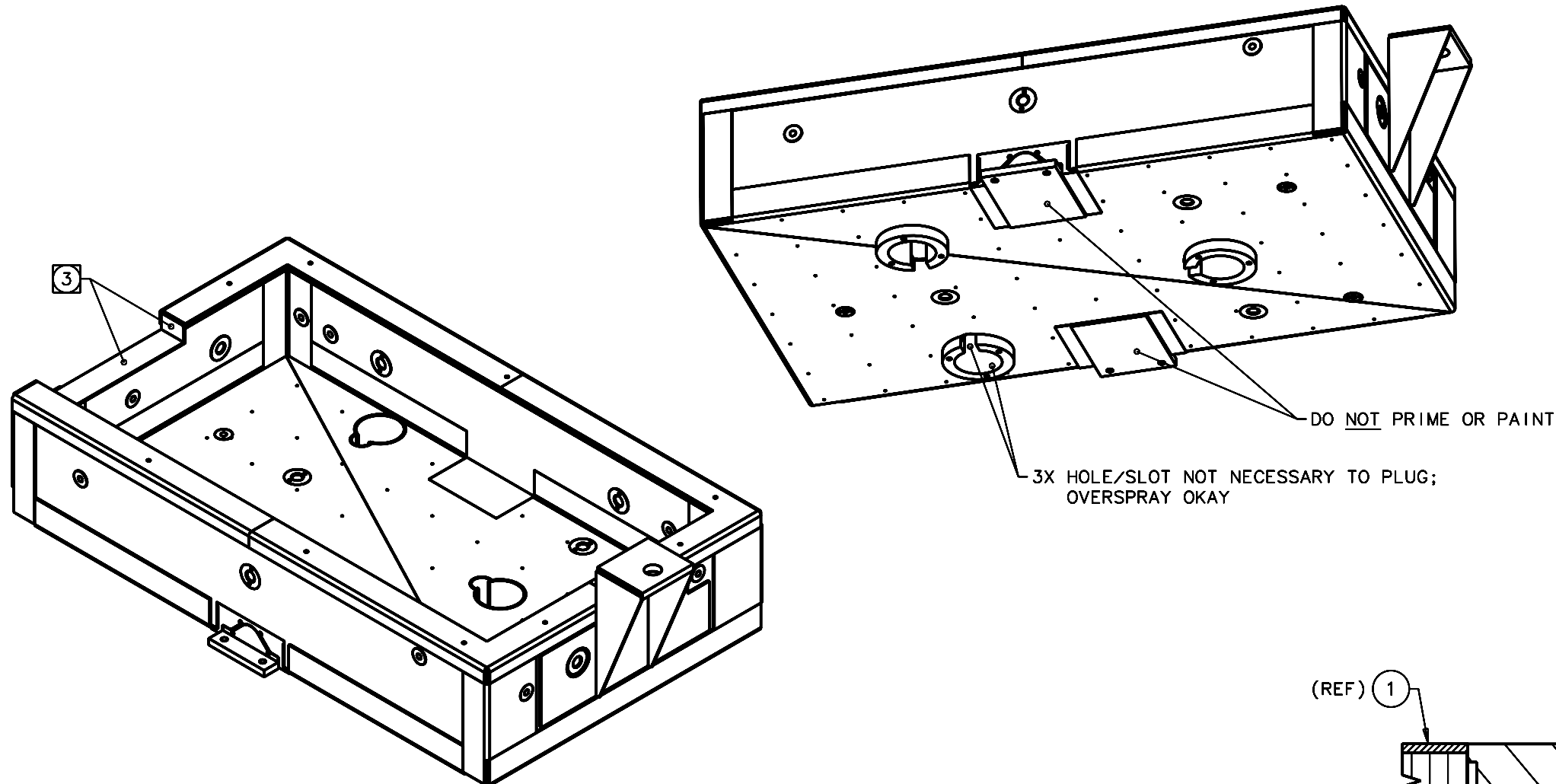
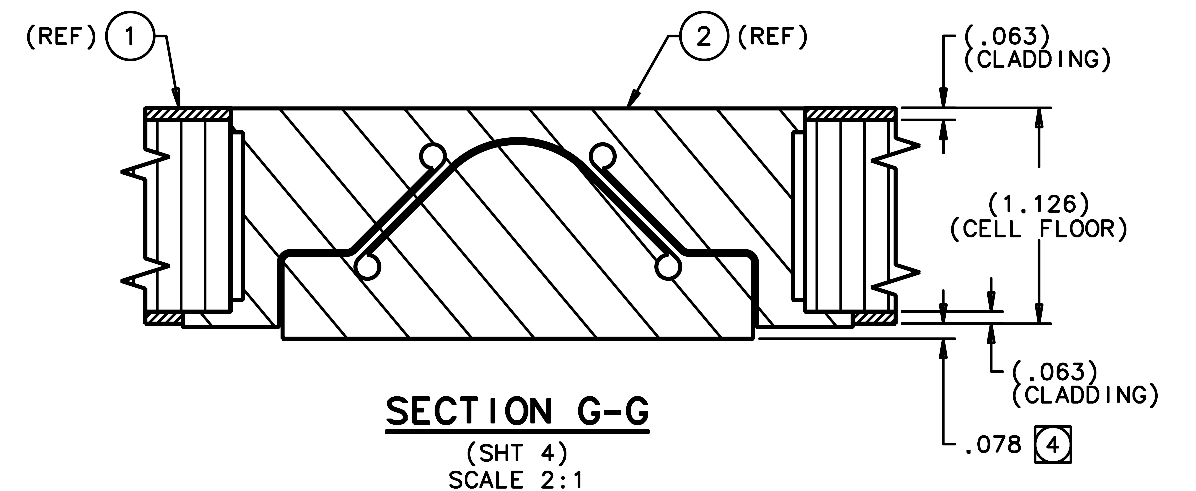


REVISIONS				
LTR	DESCRIPTION	DATE	REVISED BY	APPROVED
A	INITIAL RELEASE	05/11/05	J. BRENNAN	G. LANDIS



4 COMPLETED ASSEMBLY



DO NOT SCALE DRAWING INTERPRET DIMENSIONS AND TOLERANCES IN ACCORDANCE WITH ASME Y14.5M-94		THIS DRAWING CREATED IN: ACAD <input type="checkbox"/> MECH <input type="checkbox"/> IDEAS <input checked="" type="checkbox"/>		Steward Observatory, University of Arizona 933 N. Cherry Avenue, Tucson, AZ 85721 (520)621-7659	
TOLERANCES UNLESS OTHERWISE SPECIFIED LINEAR .1 = NA .05 = NA .02 = NA ANGULAR NA DIAMETRICAL SEE SPEC S-002		DESIGNED BY: S. MATHEWS	DATE: 9/14/04	CATEGORY: MMT	
MATERIAL -		DRAWN BY: R. NAGY	11/4/04	PROJECT: MAESTRO	
FINISH 3		CHECKED BY: G. LANDIS	03/21/05	TITLE: GRATING CELL STRUCTURAL ASSEMBLY	
ASSEMBLY APPLICATION		APPROVED: M. REED	05/11/05	DRAWING NUMBER: 13595	
CURRENT TIME/DATE/FILE LOCATION:		APPROVED: J. BECHTOLD	05/11/05	REVISION: A	
DRAWING ARCHIVE LOCATION: <a href="http://dovinci.as.arizona.edu/ccad/default.html">http://dovinci.as.arizona.edu/ccad/default.html</a>		APPROVED: R. WARNER	05/11/05	SHEET 3 OF 5	