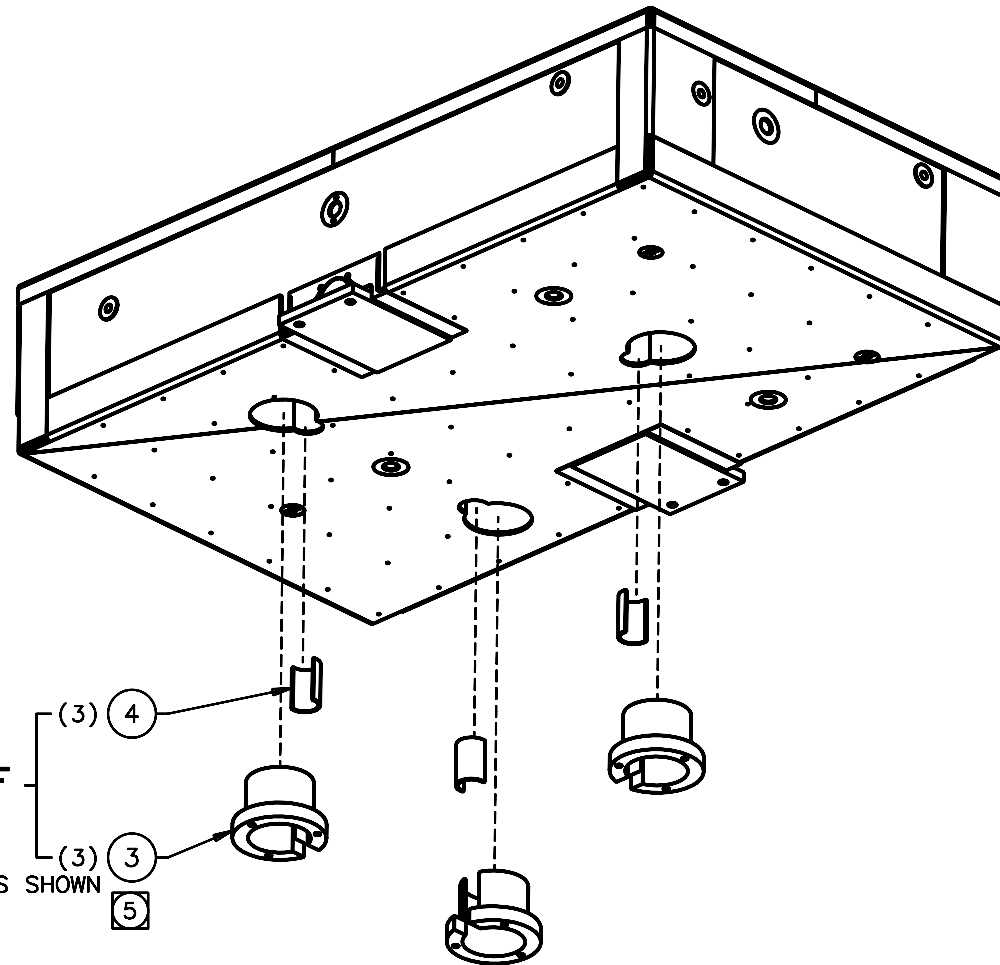


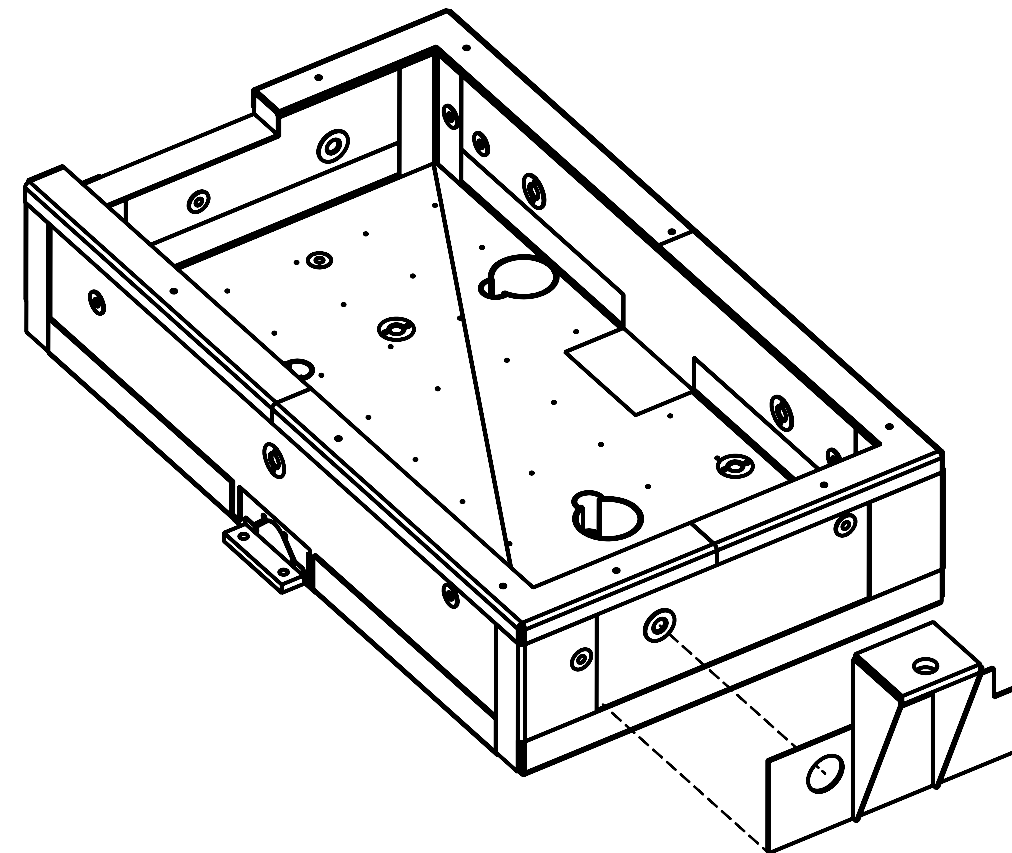
REVISIONS				
LTR	DESCRIPTION	DATE	REVISED BY	APPROVED
A	INITIAL RELEASE	05/11/05	J. BRENNAN	G. LANDIS



SEE **DETAIL F**
(THIS SHT)

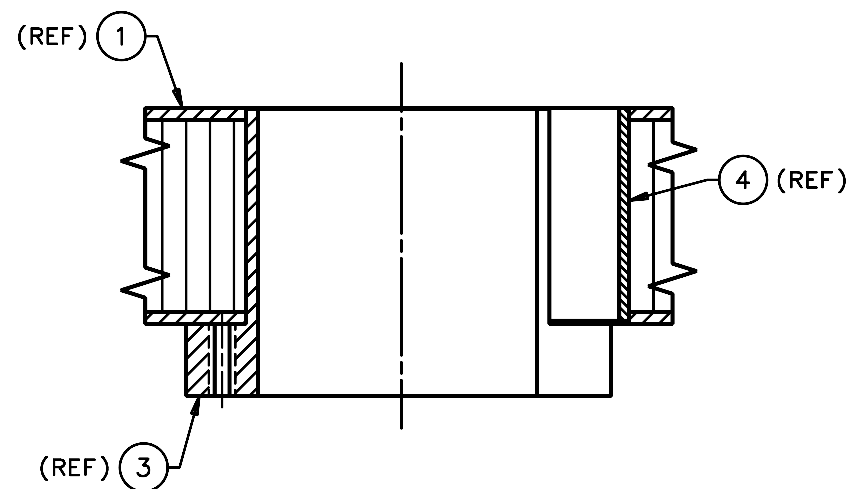
ORIENT AS SHOWN

2 ASSEMBLY STEP 3



5 SEE VIEW H-H
(SHT 4)

2 FINAL ASSEMBLY STEP 4



(3X) DETAIL F
(THIS SHT)
SCALE 2:1

DO NOT SCALE DRAWING INTERPRET DIMENSIONS AND TOLERANCES IN ACCORDANCE WITH ASME Y14.5M-94		THIS DRAWING CREATED IN: ACAD <input type="checkbox"/> MECH <input type="checkbox"/> IDEAS <input checked="" type="checkbox"/>		Steward Observatory, University of Arizona 933 N. Cherry Avenue, Tucson, AZ 85721 (520)621-7659	
TOLERANCES UNLESS OTHERWISE SPECIFIED LINEAR .1 - NA .05 - NA .03 - NA .02 - NA ANGULAR NA DIAMETRICAL SEE SPEC S-002		DESIGNED BY: S. MATHEWS	DATE: 9/14/04	CATEGORY: MMT	
MATERIAL -		DRAWN BY: R. NAGY	DATE: 11/4/04	PROJECT: MAESTRO	
FINISH 3		CHECKED BY: G. LANDIS	DATE: 03/21/05	TITLE: GRATING CELL STRUCTURAL ASSEMBLY	
ASSEMBLY APPLICATION		APPROVED: M. REED	DATE: 05/11/05	PLOT SIZE SCALE: D -	
CURRENT TIME/DATE/FILE LOCATION:		APPROVED: J. BECHTOLD	DATE: 05/11/05	DRAWING NUMBER: 13595	REVISION: A
DRAWING ARCHIVE LOCATION: http://dovinci.as.arizona.edu/ccad/default.html		NEXT ASSY USED ON		SHEET 2 OF 5	