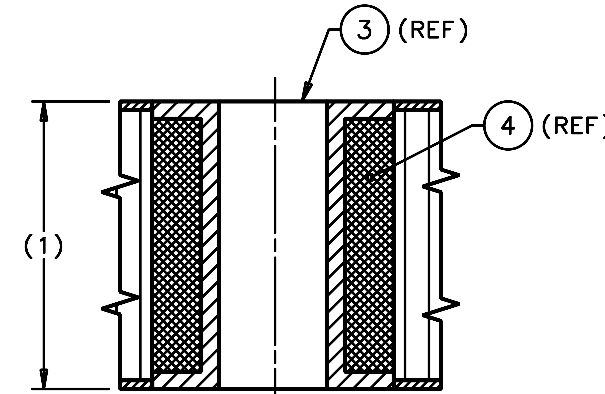
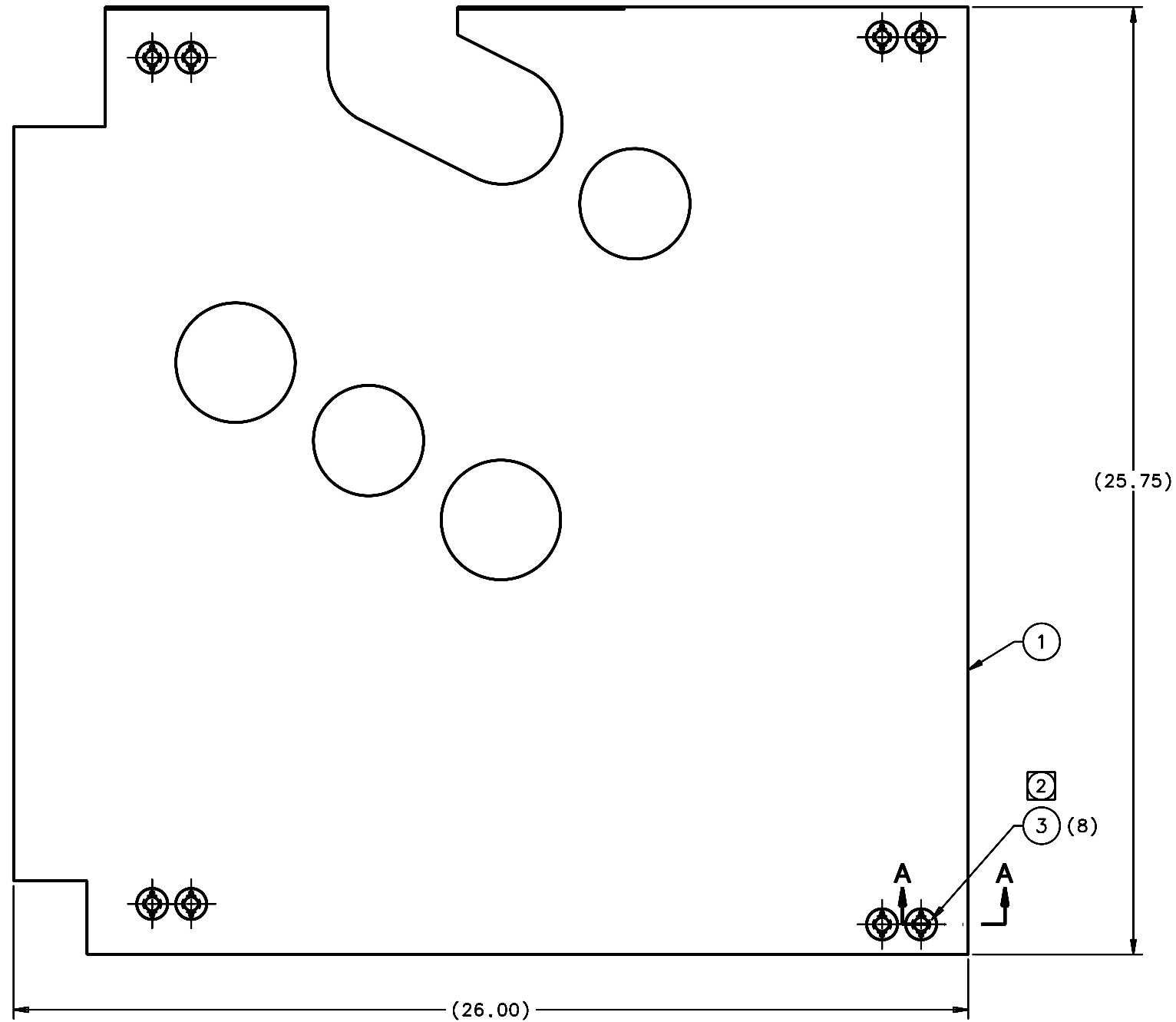
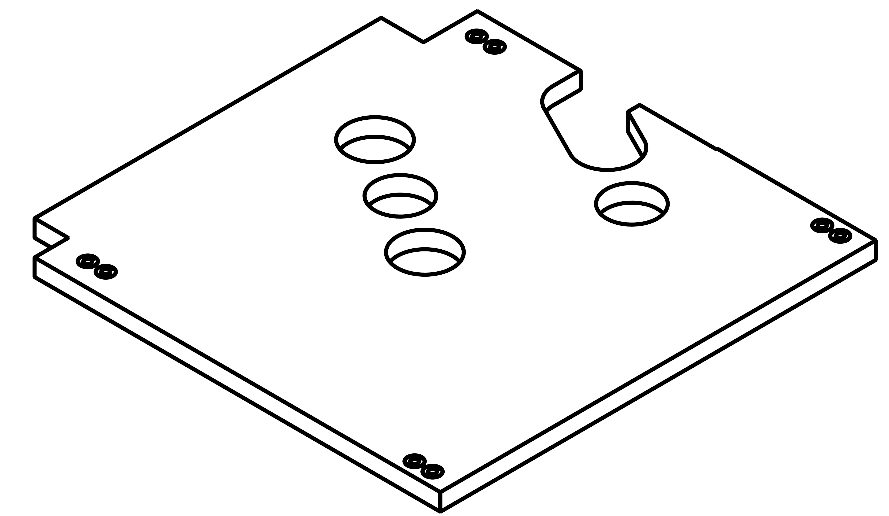


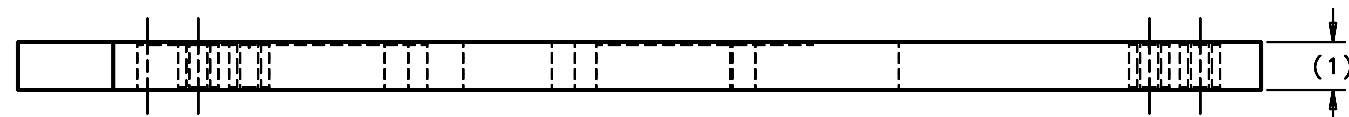
REVISIONS				
LTR	DESCRIPTION	DATE	REVISED BY	APPROVED
A	INITIAL RELEASE	3/29/05	R. NAGY	G. LANDIS
B	UPDATED FOR ITEM 1 REVISION	9/14/05	R. NAGY	W. DAVISON



(8X) SECTION A-A
SCALE 3:1



SCALE NTS



SCALE 1:2

NOTES:

- REQUIRED DOCUMENTS:
A. SP14038 INSERT SPECIFICATION/INSTALLATION FOR MAESTRO COMPOSITE PANEL
- POT INSERTS IN PLACE USING ITEM 4 ADHESIVE.
- ITEM 3 INSERT INCLUDES ADHESIVE-BACKED NAS1837 INSTALLATION TAB.
- (1) REQUIRED PER NEXT ASSEMBLY.

QTY PER ASSY	DESCRIPTION	PART NUMBER	MANUFACTURER of MAT'L SPEC	ITEM NO.
1	ADHESIVE	TBD	AR	4
8	INSERT, MOLDED IN, THRU HOLE (ϕ .376-.383), 1.000 LG, ALUM OR EQUIVALENT	NAS1834A6-1000		3
1	FLOOR	13720		2
				1

DO NOT SCALE DRAWING INTERPRET DIMENSIONS AND TOLERANCES IN ACCORDANCE WITH ASME Y14.5M-94		THIS DRAWING CREATED IN: ACAD <input type="checkbox"/> MECH <input type="checkbox"/> IDEAS <input checked="" type="checkbox"/>		Steward Observatory, University of Arizona 933 N. Cherry Avenue, Tucson, AZ 85721 (520)621-7659	
TOLERANCES UNLESS OTHERWISE SPECIFIED LINEAR .X - NA .XX - NA .XXX - NA ANGULAR NA DIAMETRICAL SEE SPEC S-002		DESIGNED BY: R. NAGY DATE: 2/25/05		CATEGORY: MMT	
DIMENSIONS ARE IN INCHES / DIMENSIONS IN 1 ARE METRIC		DRAWN BY: R. NAGY CHECKED BY: G. LANDIS APPROVED: M. REED APPROVED: J. BECHTOLD		PROJECT: MAESTRO TITLE: GRATING CELL PLATFORM FLOOR W/INSERTS	
MATERIAL: -		13435 MMT NEXT ASSY USED ON		APPROVED: [Signature]	
FINISH: -		ASSEMBLY APPLICATION		CURRENT TIME/DATE/FILE LOCATION: DRAWING ARCHIVE LOCATION: http://dovinc1.es.arizona.edu/ocod/default.html	
				PLOT SIZE SCALE: D - DRAWING NUMBER: 13436 REVISION: B	
					SHEET 1 OF 1