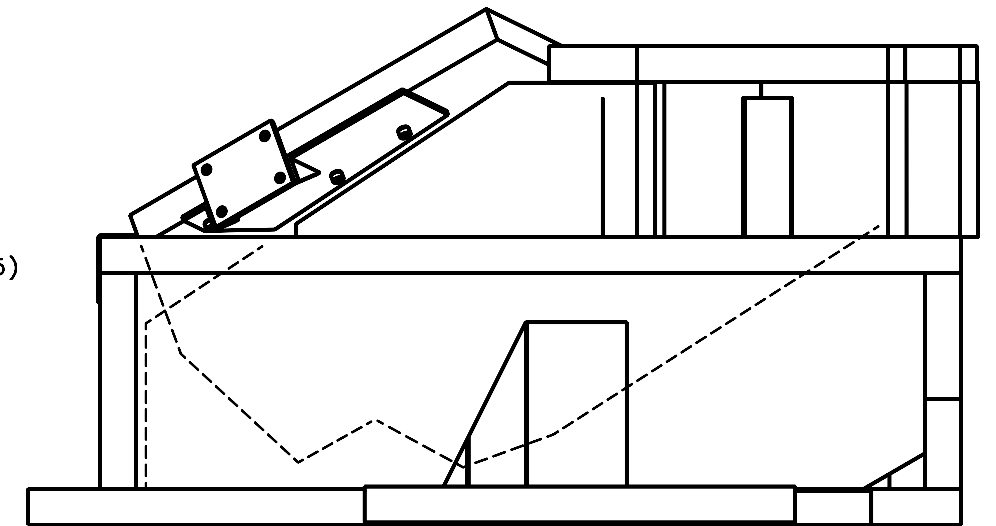
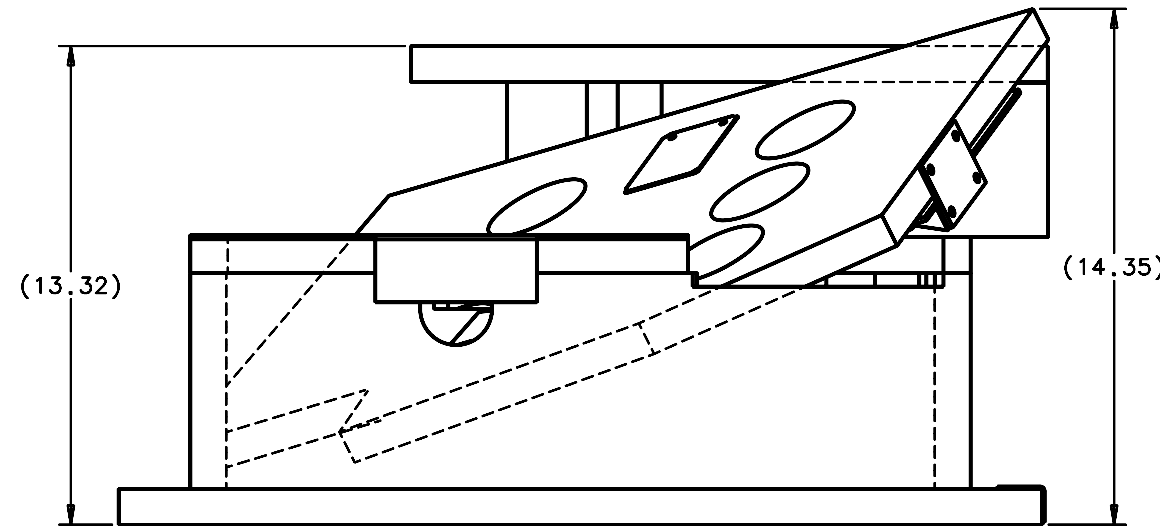
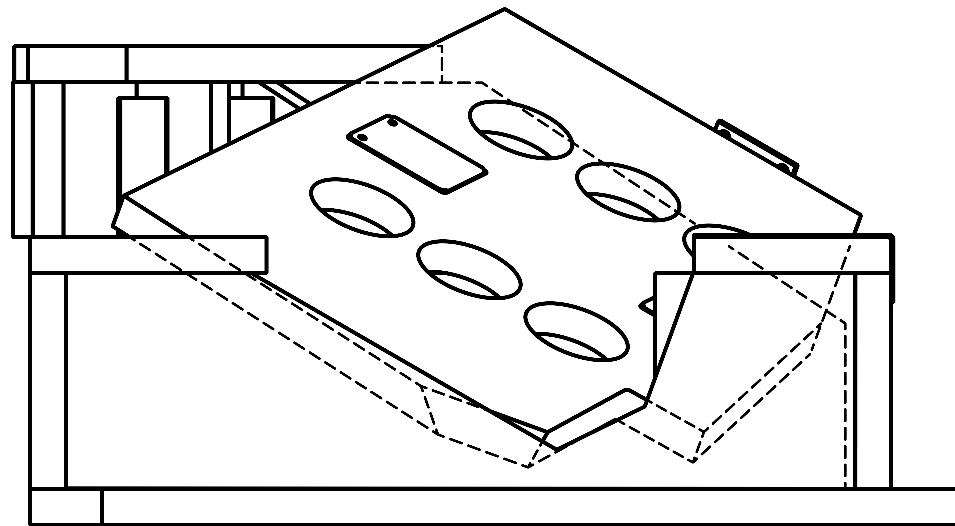
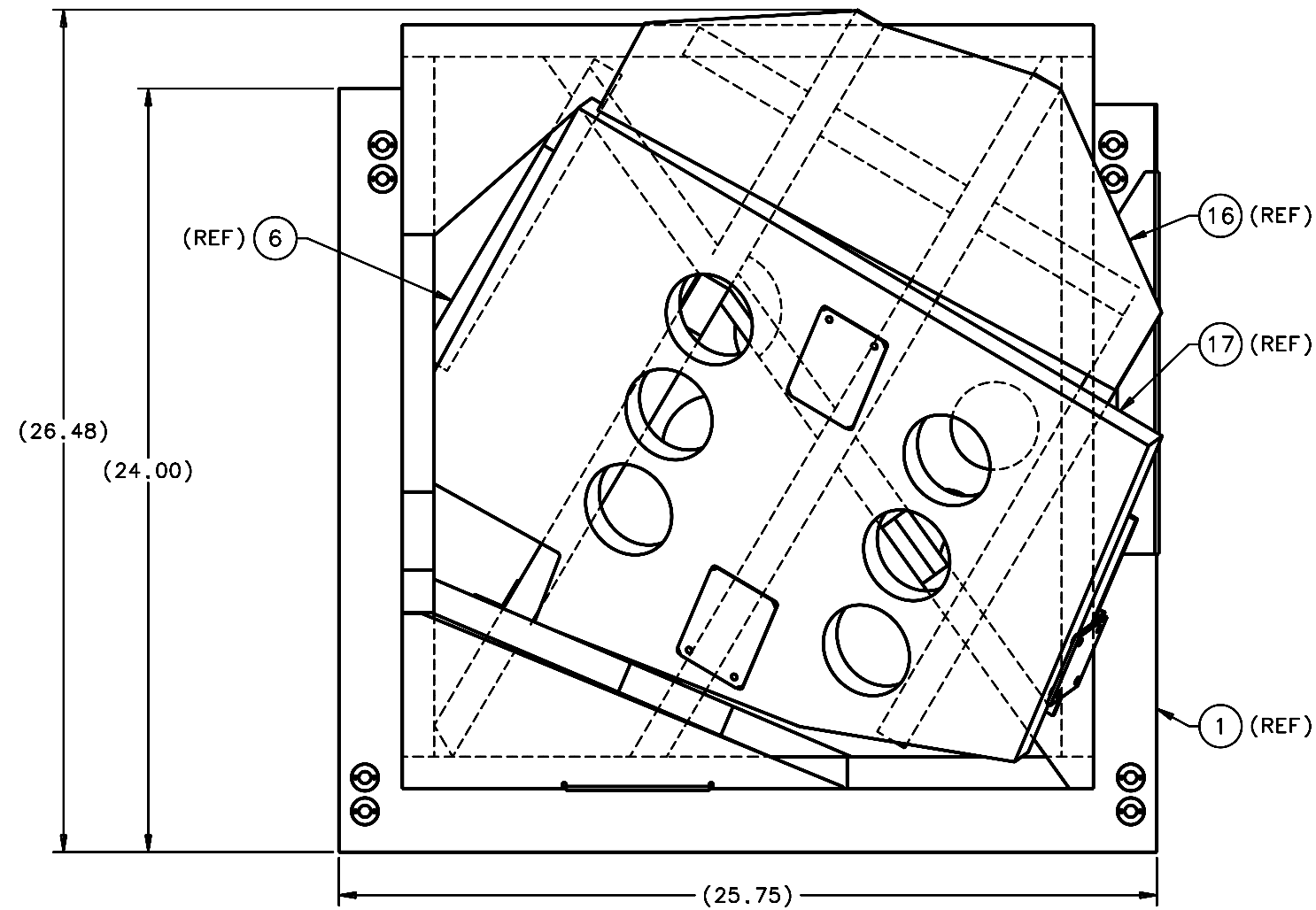


REVISIONS				
LTR	DESCRIPTION	DATE	REVISED BY	APPROVED
A	INITIAL RELEASE	5/9/05	R. NAGY	G. LANDIS
B	UPDATED FOR ITEMS 1, 2, & 4 REVISIONS	9/22/05	R. NAGY	W. DAVISON



SCALE 3:8

DO NOT SCALE DRAWING INTERPRET DIMENSIONS AND TOLERANCES IN ACCORDANCE WITH ASME Y14.5M-94		THIS DRAWING CREATED IN: ACAD <input type="checkbox"/> MECH <input type="checkbox"/> IDEAS <input checked="" type="checkbox"/>		Steward Observatory, University of Arizona 933 N. Cherry Avenue, Tucson, AZ 85721 (520)621-7659	
TOLERANCES UNLESS OTHERWISE SPECIFIED LINEAR ANGLULAR .X - NA NA .XX - NA NA .XXX - NA NA DIAMETRICAL SEE SPEC S-002				DESIGNED BY: S. MATHEWS/D. DEAN	DATE: 9/22/03
MATERIAL -		13677 MMT		DRAWN BY: R. NAGY	2/20/04
FINISH -		NEXT ASSY USED ON		CHECKED BY: G. LANDIS	3/21/05
		ASSEMBLY APPLICATION		APPROVED: J. BECHTOLD	5/9/05
				APPROVED: R. WARNER	5/9/05
				APPROVED:	
				APPROVED:	
				CURRENT TIME/DATE/FILE LOCATION:	
				DRAWING ARCHIVE LOCATION: http://dovinci.es.arizona.edu/ocod/default.html	
				PLOT SIZE SCALE: D -	DRAWING NUMBER: 13435
				REVISION: B	