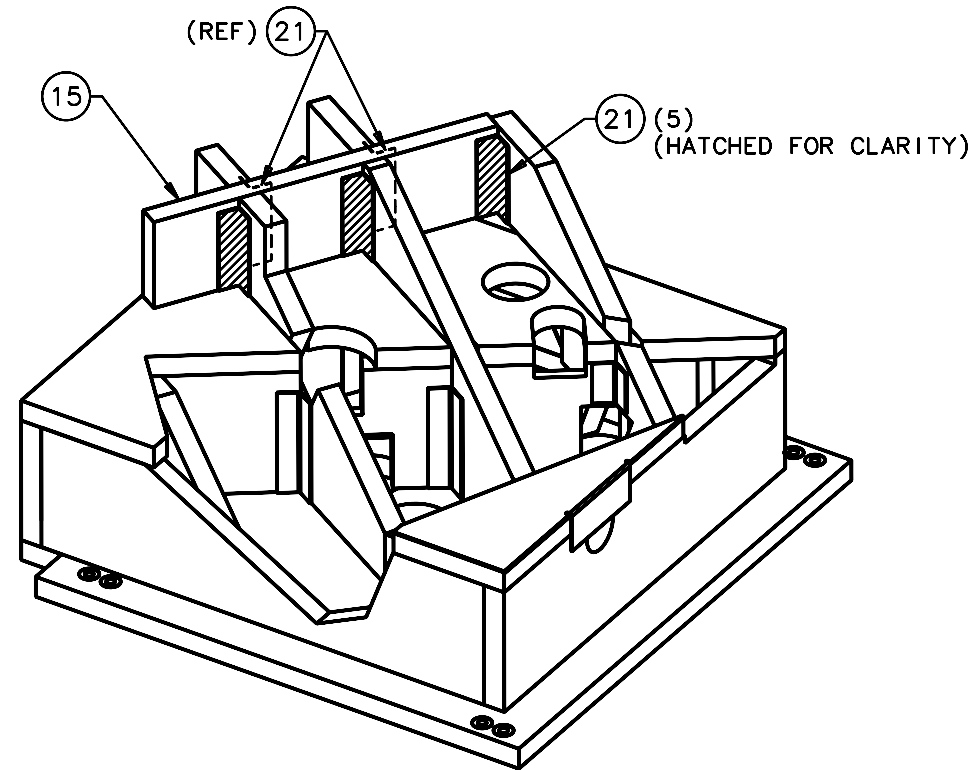
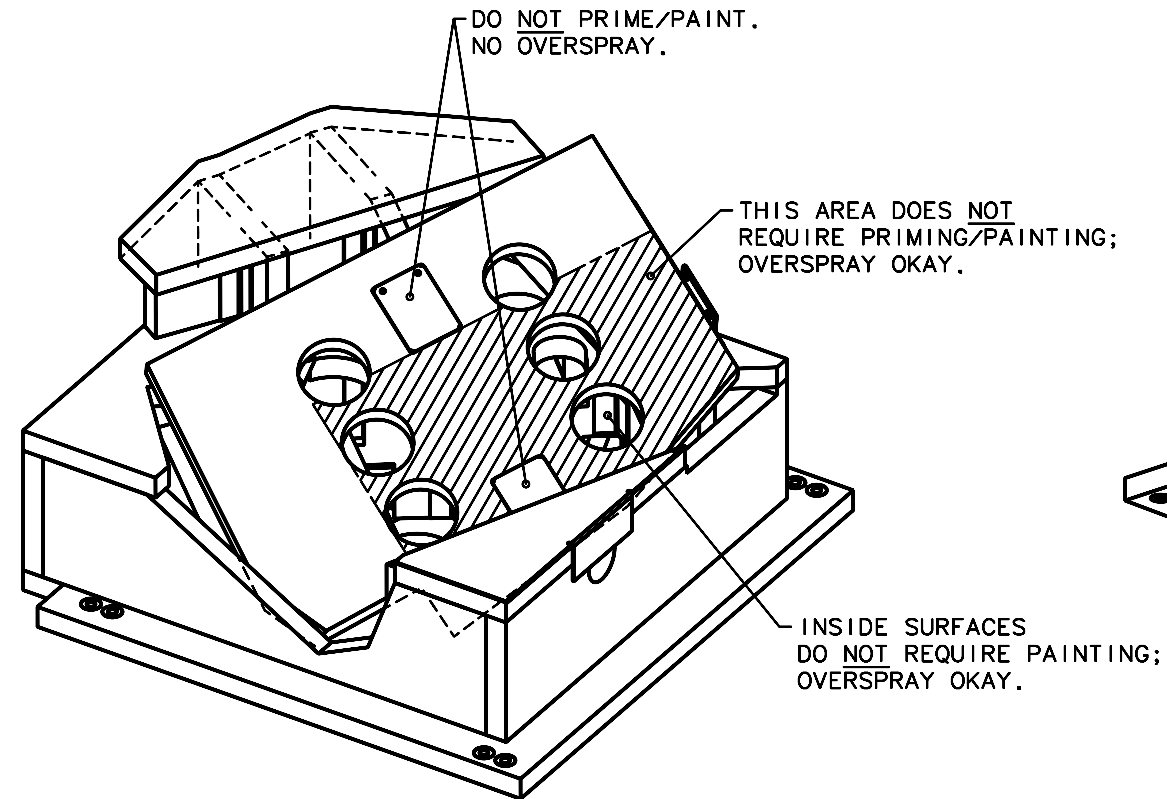


REVISIONS				
LTR	DESCRIPTION	DATE	REVISED BY	APPROVED
A	INITIAL RELEASE	5/9/05	R. NAGY	G. LANDIS
B	UPDATED FOR ITEMS 1, 2, & 4 REVISIONS	9/22/05	R. NAGY	W. DAVISON



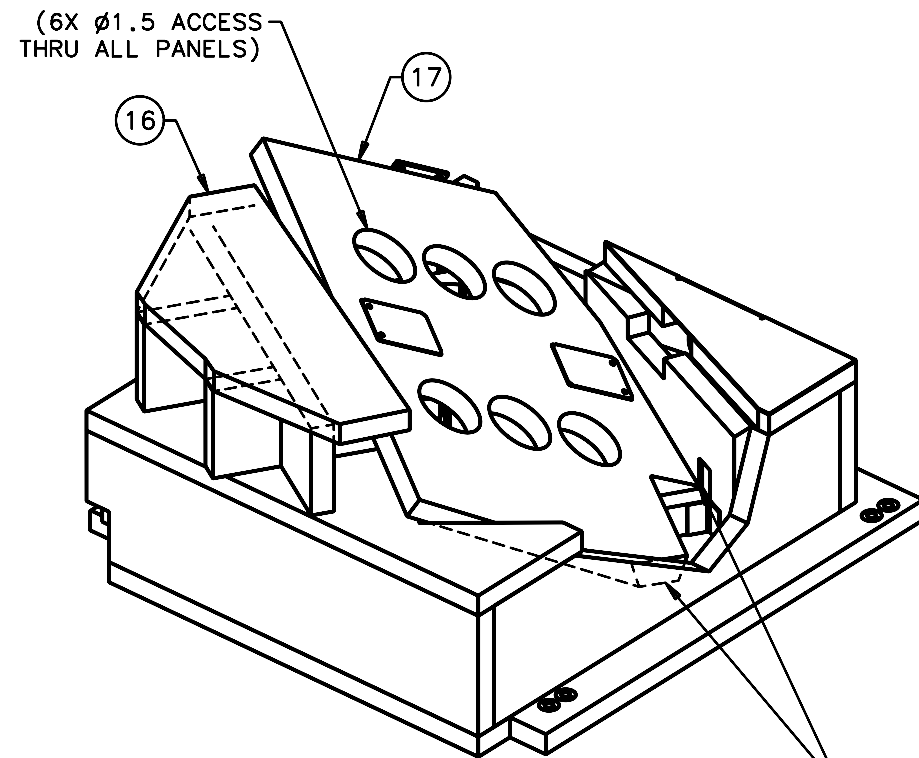
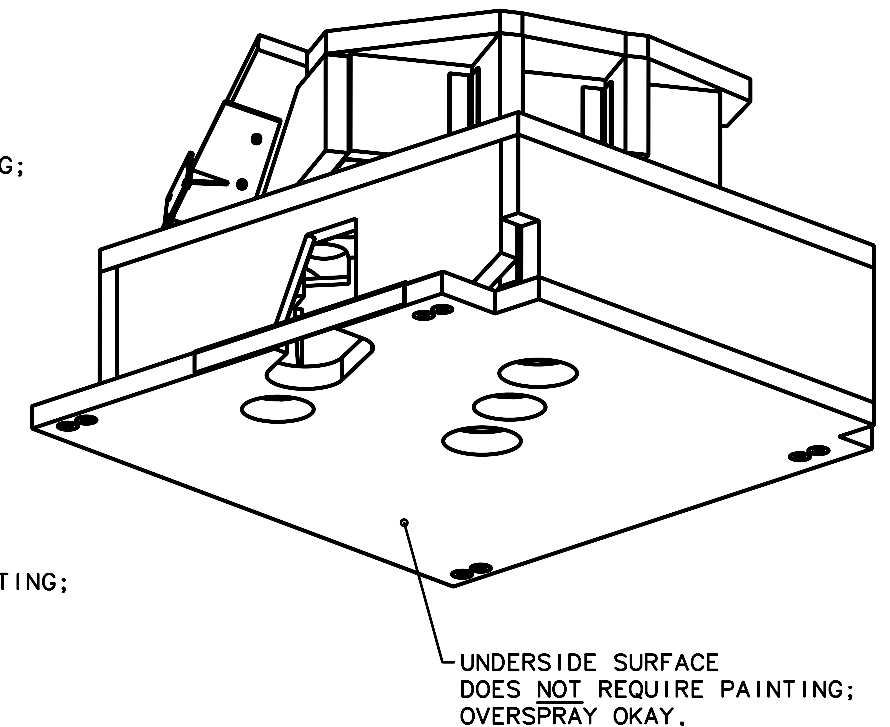
1 ASSEMBLY STEP 7



2 PAINTING DETAIL

SCALE NTS

PRIMER/PAINT ALL SURFACES/EDGES EXCEPT AS NOTED.
SOME OF THESE SURFACES/EDGES MAY NEED TO BE PRIMED/PAINTED AT PRIOR ASSEMBLY STEPS.
IF SO, DO NOT PAINT MATING SURFACES/EDGES USED FOR SUBSEQUENT BONDING.



1 FINAL ASSEMBLY STEP 8

BUTT ITEM 17
UP AGAINST INSIDE
WALL SURFACES

DO NOT SCALE DRAWING INTERPRET DIMENSIONS AND TOLERANCES IN ACCORDANCE WITH ASME Y14.5M-94		THIS DRAWING CREATED IN: ACAD <input type="checkbox"/> MECH <input type="checkbox"/> IDEAS <input checked="" type="checkbox"/>		Steward Observatory, University of Arizona 933 N. Cherry Avenue, Tucson, AZ 85721 (520)621-7659	
TOLERANCES UNLESS OTHERWISE SPECIFIED LINEAR ANGLULAR .X = NA .XX = NA .XXX = NA DIAMETRICAL SEE SPEC S-002		DESIGNED BY: S. MATHEWS/D. DEAN		DATE: 9/22/03	CATEGORY: MMT
MATERIAL -		DRAWN BY: R. NAGY		DATE: 2/20/04	PROJECT: MAESTRO
FINISH -		CHECKED BY: G. LANDIS		DATE: 3/21/05	TITLE: GRATING CELL PLATFORM ASSEMBLY
ASSEMBLY APPLICATION		APPROVED: R. WARNER		DATE: 5/9/05	PLOT SIZE SCALE: D -
CURRENT TIME/DATE/FILE LOCATION: DRAWING ARCHIVE LOCATION: http://dovinc1.es.arizona.edu/ocod/default.html		DRAWING NUMBER: 13435		REVISION: B	SHEET 4 OF 5