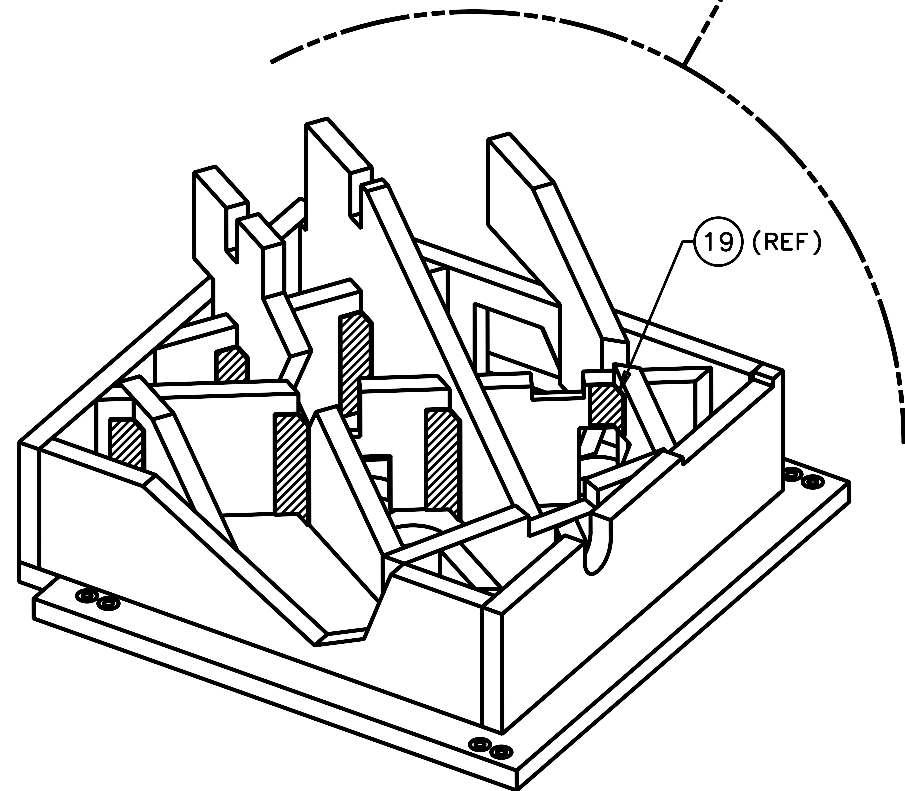
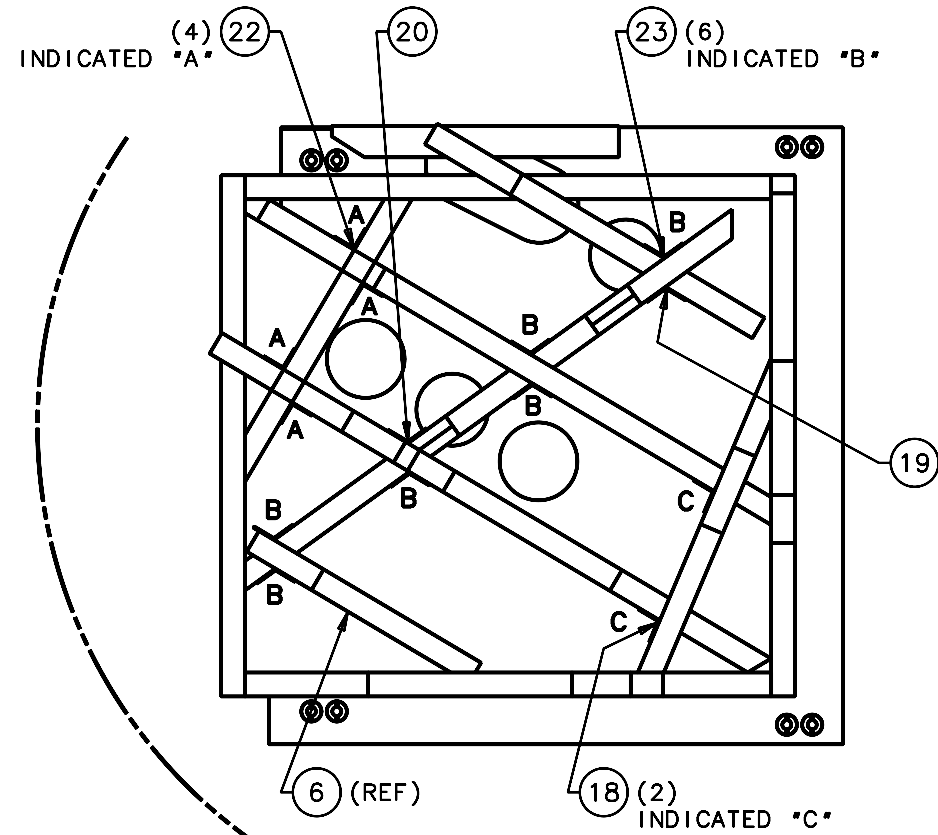
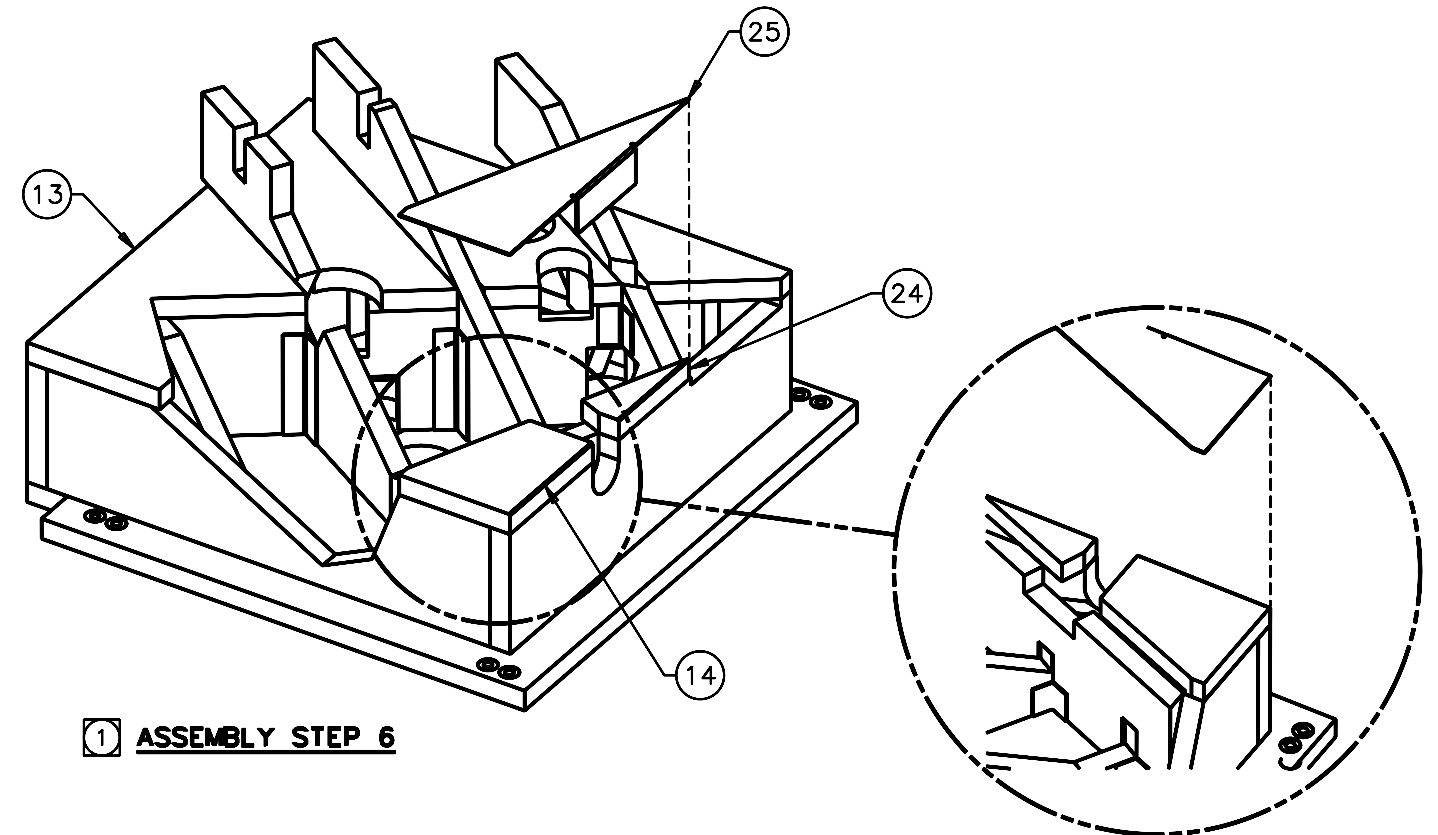


REVISIONS				
LTR	DESCRIPTION	DATE	REVISED BY	APPROVED
A	INITIAL RELEASE	5/9/05	R. NAGY	G. LANDIS
B	UPDATED FOR ITEMS 1, 2, & 4 REVISIONS	9/22/05	R. NAGY	W. DAVISON



1 ASSEMBLY STEP 5



1 ASSEMBLY STEP 6

DO NOT SCALE DRAWING INTERPRET DIMENSIONS AND TOLERANCES IN ACCORDANCE WITH ASME Y14.5M-94		THIS DRAWING CREATED IN: ACAD <input type="checkbox"/> MECH <input type="checkbox"/> IDEAS <input checked="" type="checkbox"/>		Steward Observatory, University of Arizona 933 N. Cherry Avenue, Tucson, AZ 85721 (520)621-7659		
TOLERANCES UNLESS OTHERWISE SPECIFIED LINEAR .X = NA .XX = NA .XXX = NA ANGULAR NA DIAMETRICAL SEE SPEC S-002 <small>DIMENSIONS ARE IN INCHES / DIMENSIONS IN 1:1 ARE METRIC</small>				DESIGNED BY: S. MATHEWS/D. DEAN	DATE: 9/22/03	CATEGORY: MMT
MATERIAL		13677 MMT		DRAWN BY: R. NAGY	2/20/04	PROJECT: MAESTRO
FINISH		NEXT ASSY USED ON		CHECKED BY: G. LANDIS	3/21/05	TITLE: GRATING CELL PLATFORM ASSEMBLY
		ASSEMBLY APPLICATION		APPROVED: J. BECHTOLD	5/9/05	
				APPROVED: R. WARNER	5/9/05	
				APPROVED:		PLOT SIZE SCALE: D -
				APPROVED:		DRAWING NUMBER: 13435
				CURRENT TIME/DATE/FILE LOCATION:		REVISION: B
				DRAWING ARCHIVE LOCATION: http://dovinc1.es.arizona.edu/ocod/default.html		SHEET 3 OF 5