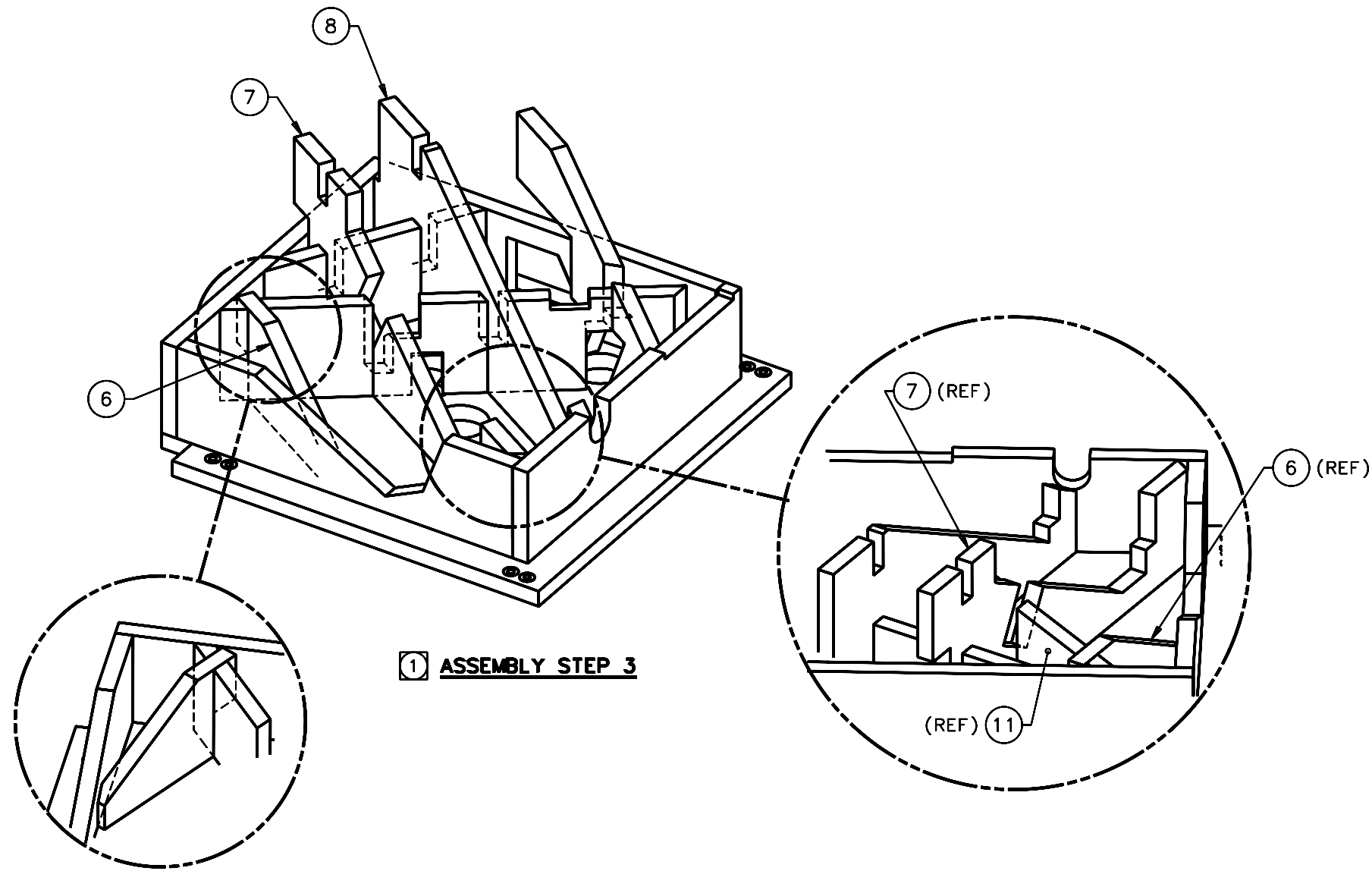
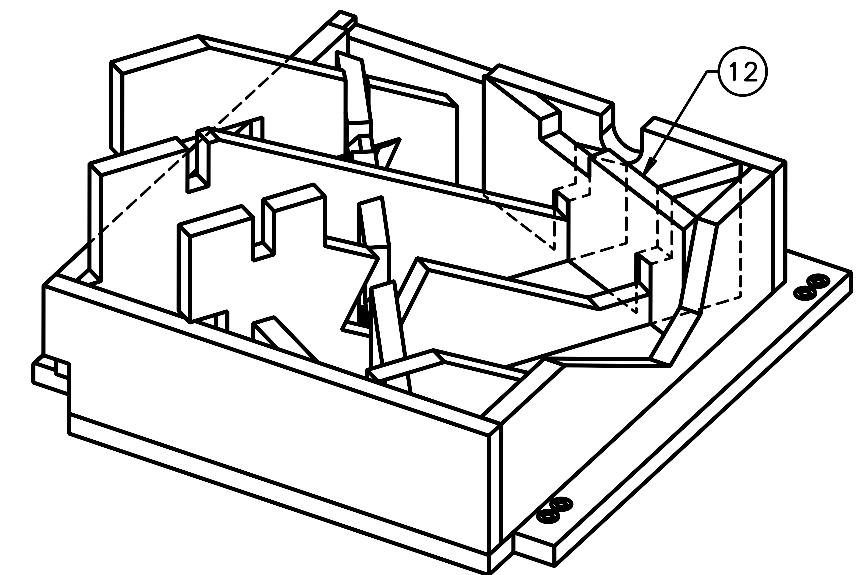


REVISIONS				
LTR	DESCRIPTION	DATE	REVISED BY	APPROVED
A	INITIAL RELEASE	5/9/05	R. NAGY	G. LANDIS
B	UPDATED FOR ITEMS 1, 2, & 4 REVISIONS	9/22/05	R. NAGY	W. DAVISON



① ASSEMBLY STEP 3



① ASSEMBLY STEP 4

DO NOT SCALE DRAWING INTERPRET DIMENSIONS AND TOLERANCES IN ACCORDANCE WITH ASME Y14.5M-94		THIS DRAWING CREATED IN: ACAD <input type="checkbox"/> MECH <input type="checkbox"/> IDEAS <input checked="" type="checkbox"/>		Steward Observatory, University of Arizona 933 N. Cherry Avenue, Tucson, AZ 85721 (520)621-7659		
TOLERANCES UNLESS OTHERWISE SPECIFIED LINEAR .X = NA .XX = NA .XXX = NA ANGULAR NA DIAMETRICAL SEE SPEC S-002		DESIGNED BY: S. MATHEWS/D. DEAN DATE: 9/22/03		CATEGORY: MMT		
DIMENSIONS ARE IN INCHES / DIMENSIONS IN 1 ARE METRIC		DRAWN BY: R. NAGY DATE: 2/20/04		PROJECT: MAESTRO		
MATERIAL: -		CHECKED BY: G. LANDIS DATE: 3/21/05		TITLE: GRATING CELL PLATFORM ASSEMBLY		
FINISH: -		APPROVED: J. BECHTOLD DATE: 5/9/05		PLOT SIZE SCALE: D -		
ASSEMBLY APPLICATION		APPROVED: R. WARNER DATE: 5/9/05		DRAWING NUMBER: 13435		REVISION: B
CURRENT TIME/DATE/FILE LOCATION:				SHEET 2 OF 5		
DRAWING ARCHIVE LOCATION: http://dovinc1.es.arizona.edu/ocod/default.html						