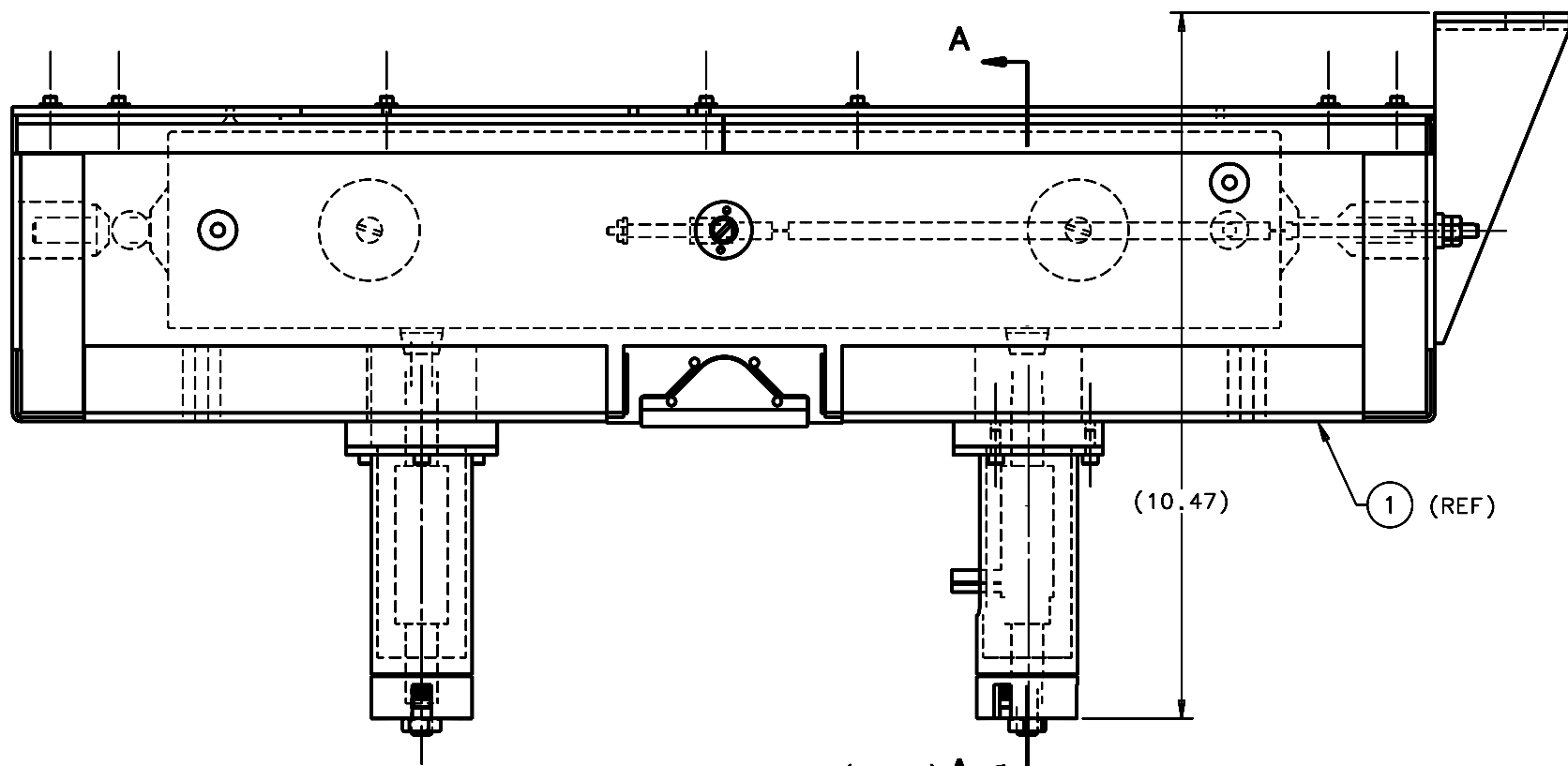
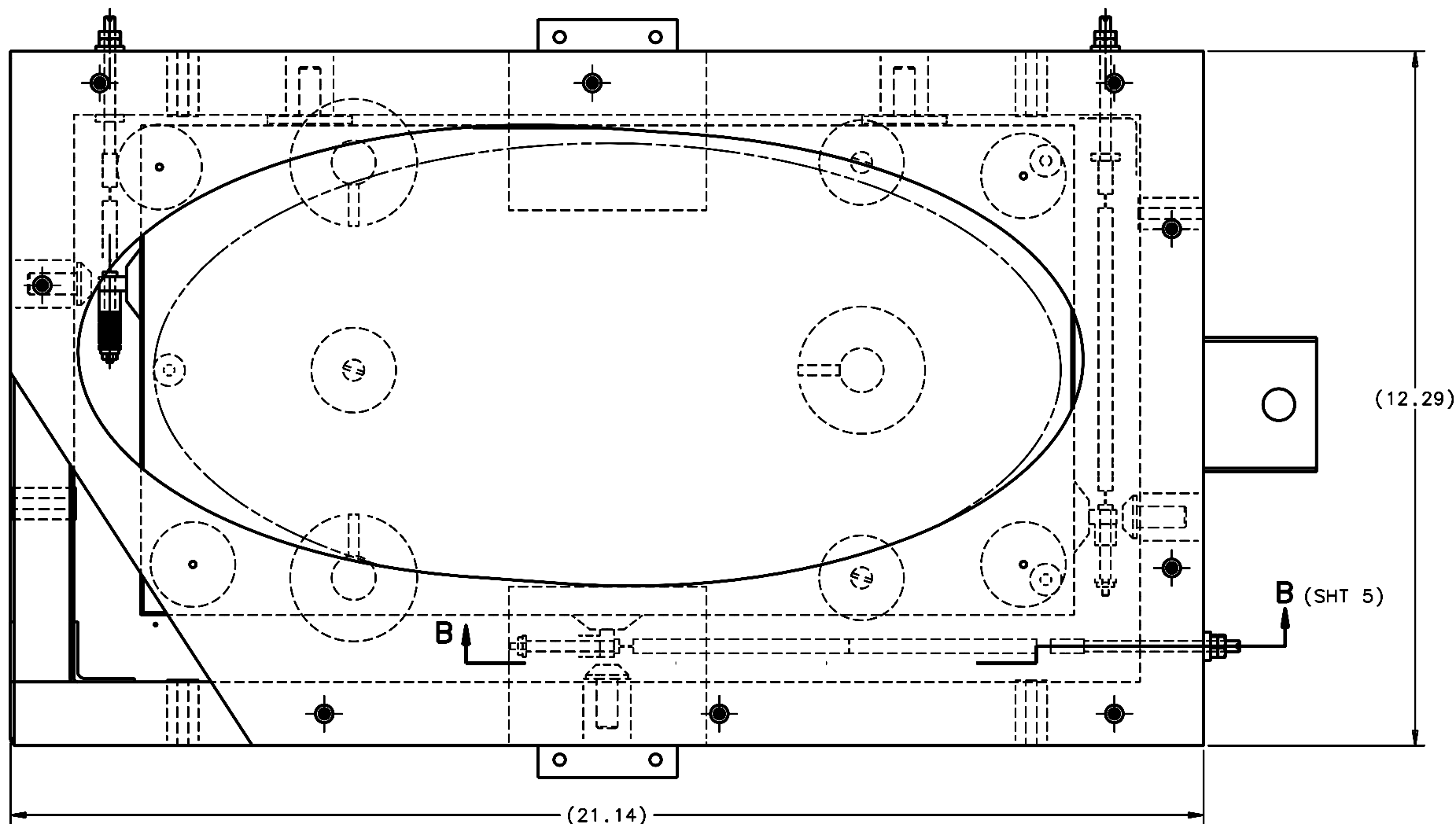


| REVISIONS | | | | |
|-----------|-----------------|----------|------------|-----------|
| LTR | DESCRIPTION | DATE | REVISED BY | APPROVED |
| A | INITIAL RELEASE | 05/11/05 | J. BRENNAN | G. LANDIS |



SCALE 3:4

| | | | | | |
|---|--|---|------------------|--|----------------|
| DO NOT SCALE DRAWING INTERPRET DIMENSIONS AND TOLERANCES IN ACCORDANCE WITH ASME Y14.5M-94 | | THIS DRAWING CREATED IN: ACAD <input type="checkbox"/> MECH <input type="checkbox"/> IDEAS <input checked="" type="checkbox"/> | | Steward Observatory, University of Arizona 933 N. Cherry Avenue, Tucson, AZ 85721 (520)621-7659 | |
| TOLERANCES UNLESS OTHERWISE SPECIFIED LINEAR .1 - NA .05 - NA .02 - NA ANGULAR NA DIAMETRICAL SEE SPEC S-002 | | DESIGNED BY: S. MATHEWS | DATE: 8/27/04 | CATEGORY: MMT | |
| MATERIAL - | | DRAWN BY: R. NAGY | 10/29/04 | PROJECT: MAESTRO | |
| FINISH - | | CHECKED BY: G. LANDIS | 03/21/05 | TITLE: GRATING CELL TOP ASSEMBLY | |
| ASSEMBLY APPLICATION | | APPROVED: M. REED | 05/11/05 | DRAWING NUMBER: 13434 | |
| CURRENT TIME/DATE/FILE LOCATION: DRAWING ARCHIVE LOCATION: http://dovinci.as.arizona.edu/ccod/default.html | | APPROVED: J. BECHTOLD | 05/11/05 | PLOT SIZE SCALE: D - | REVISION: A |
| | | | | SHEET 4 OF 5 | |