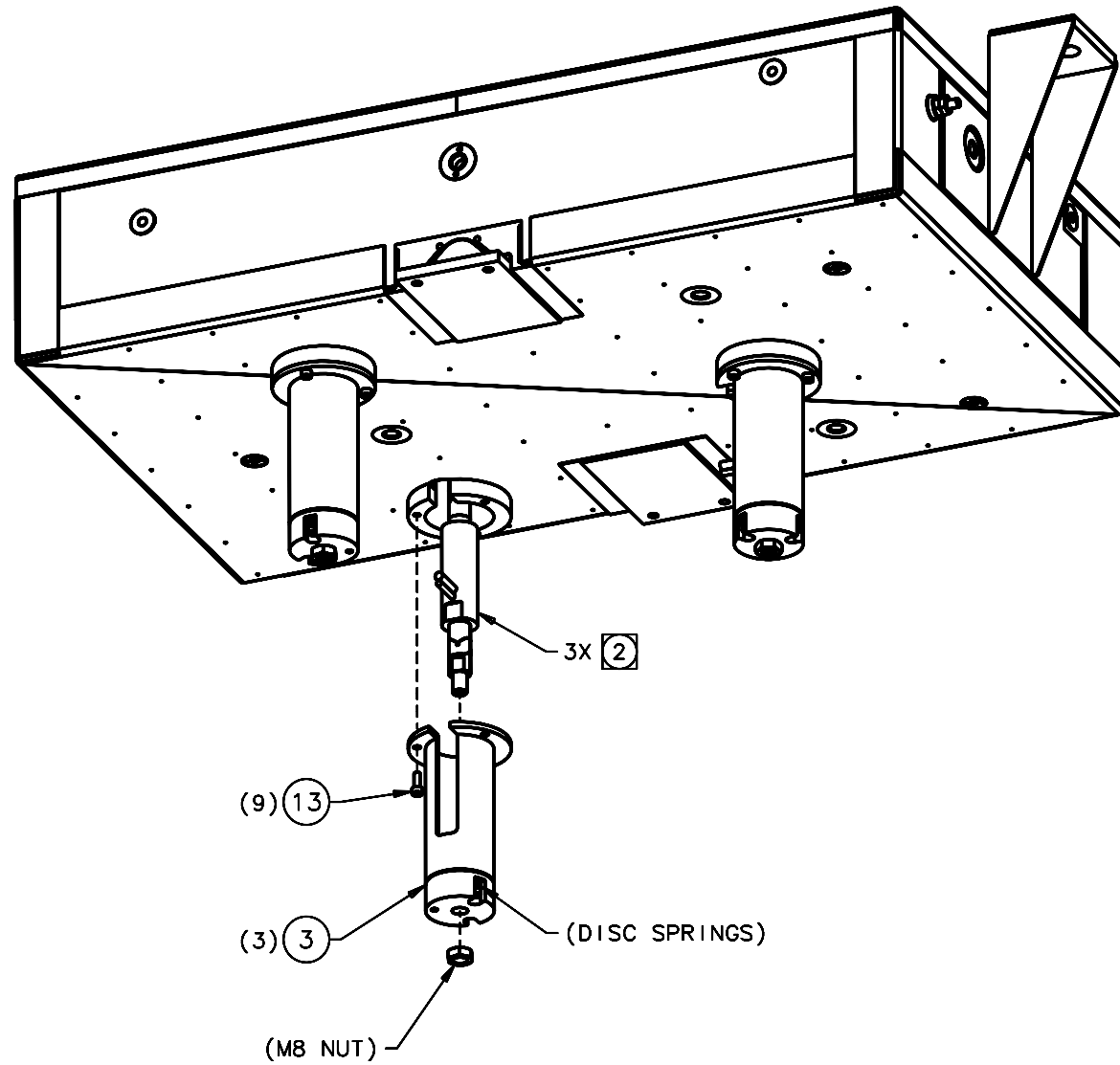
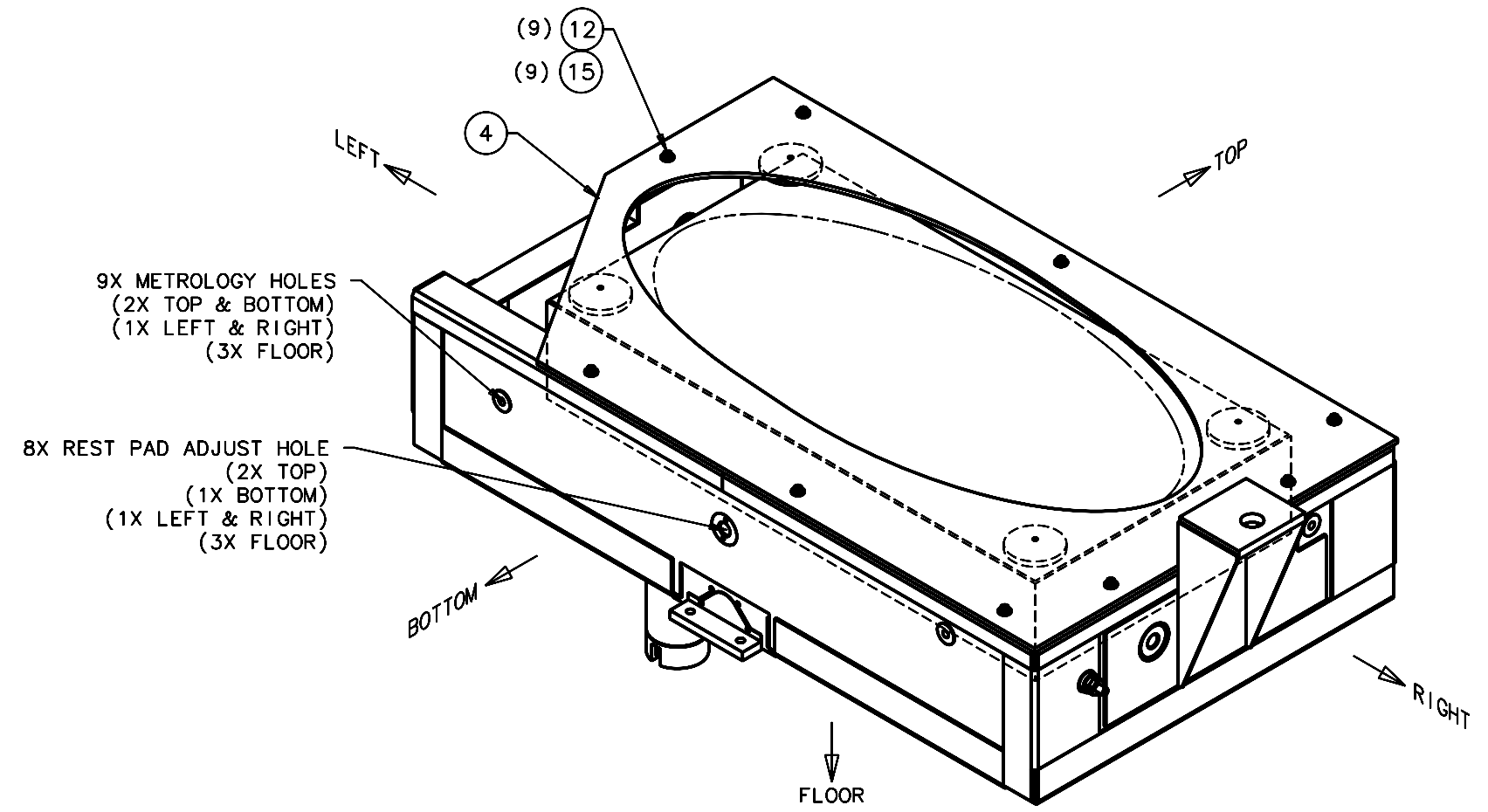


REVISIONS				
LTR	DESCRIPTION	DATE	REVISED BY	APPROVED
A	INITIAL RELEASE	05/11/05	J. BRENNAN	G. LANDIS



ASSEMBLY STEP 3
USE EXISTING HARDWARE WHERE REQD



FINAL ASSEMBLY STEP 4
SCALE NTS

DO NOT SCALE DRAWING INTERPRET DIMENSIONS AND TOLERANCES IN ACCORDANCE WITH ASME Y14.5M-94		THIS DRAWING CREATED IN: ACAD <input type="checkbox"/> MECH <input type="checkbox"/> IDEAS <input checked="" type="checkbox"/>		Steward Observatory, University of Arizona 933 N. Cherry Avenue, Tucson, AZ 85721 (520)621-7659			
TOLERANCES UNLESS OTHERWISE SPECIFIED LINEAR ANGULAR .1 - NA .05 - NA .02 - NA DIAMETRICAL SEE SPEC S-002		DESIGNED BY: S. MATHEWS		DATE: 8/27/04		CATEGORY: MMT	
MATERIAL -		DRAWN BY: R. NAGY		10/29/04		PROJECT: MAESTRO	
FINISH -		CHECKED BY: G. LANDIS		03/21/05		TITLE: GRATING CELL TOP ASSEMBLY	
ASSEMBLY APPLICATION		APPROVED: R. WARNER		05/11/05		PLOT SIZE SCALE: D -	
CURRENT TIME/DATE/FILE LOCATION:		DRAWING ARCHIVE LOCATION: http://dovinci.as.arizona.edu/ccad/default.html		DRAWING NUMBER: 13434		REVISION: A	