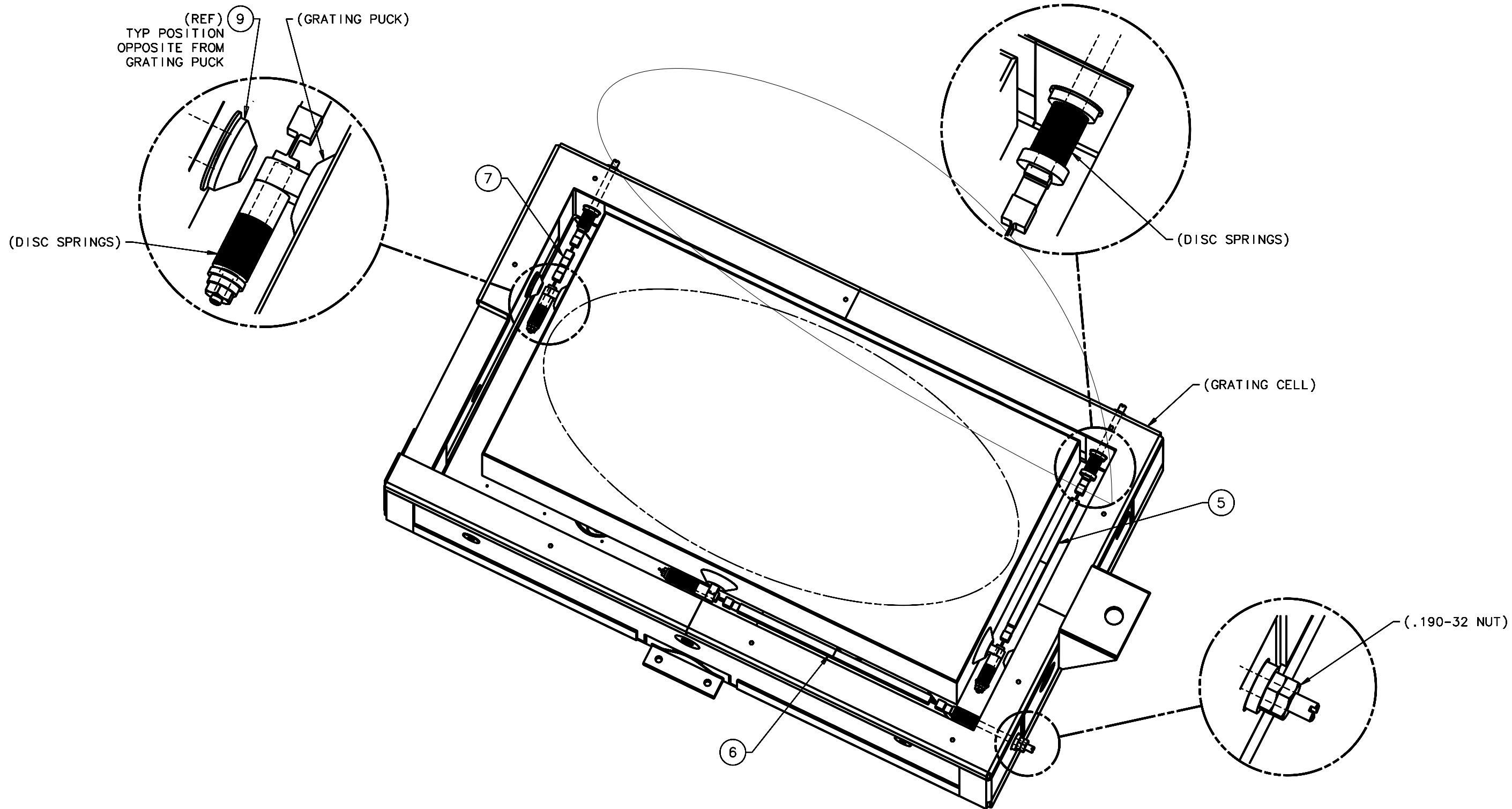


REVISIONS				
LTR	DESCRIPTION	DATE	REVISED BY	APPROVED
A	INITIAL RELEASE	05/11/05	J. BRENNAN	G. LANDIS



ASSEMBLY STEP 2

TYP LINK ATTACHMENTS TO GRATING PUCKS & GRATING CELL;
USE EXISTING HARDWARE FROM ITEMS 5, 6, & 7 LINK ASSEMBLIES

DO NOT SCALE DRAWING INTERPRET DIMENSIONS AND TOLERANCES IN ACCORDANCE WITH ASME Y14.5M-94		THIS DRAWING CREATED IN: ACAD <input type="checkbox"/> MECH <input type="checkbox"/> IDEAS <input checked="" type="checkbox"/>		Steward Observatory, University of Arizona 933 N. Cherry Avenue, Tucson, AZ 85721 (520)621-7659	
TOLERANCES UNLESS OTHERWISE SPECIFIED LINEAR .1 - NA .05 - NA .02 - NA ANGULAR .5 - NA DIAMETRICAL SEE SPEC S-002		DESIGNED BY: S. MATHEWS	DATE: 8/27/04	CATEGORY: MMT	
MATERIAL -		DRAWN BY: R. NAGY	10/29/04	PROJECT: MAESTRO	
FINISH -		CHECKED BY: G. LANDIS	03/21/05	TITLE: GRATING CELL TOP ASSEMBLY	
NEXT ASSY USED ON		APPROVED: M. REED	05/11/05	PLOT SIZE SCALE: D -	
ASSEMBLY APPLICATION		APPROVED: J. BECHTOLD	05/11/05	DRAWING NUMBER: 13434	REVISION: A
CURRENT TIME/DATE/FILE LOCATION:		DRAWING ARCHIVE LOCATION: http://dovinci.as.arizona.edu/ccad/default.html		SHEET 2 OF 5	