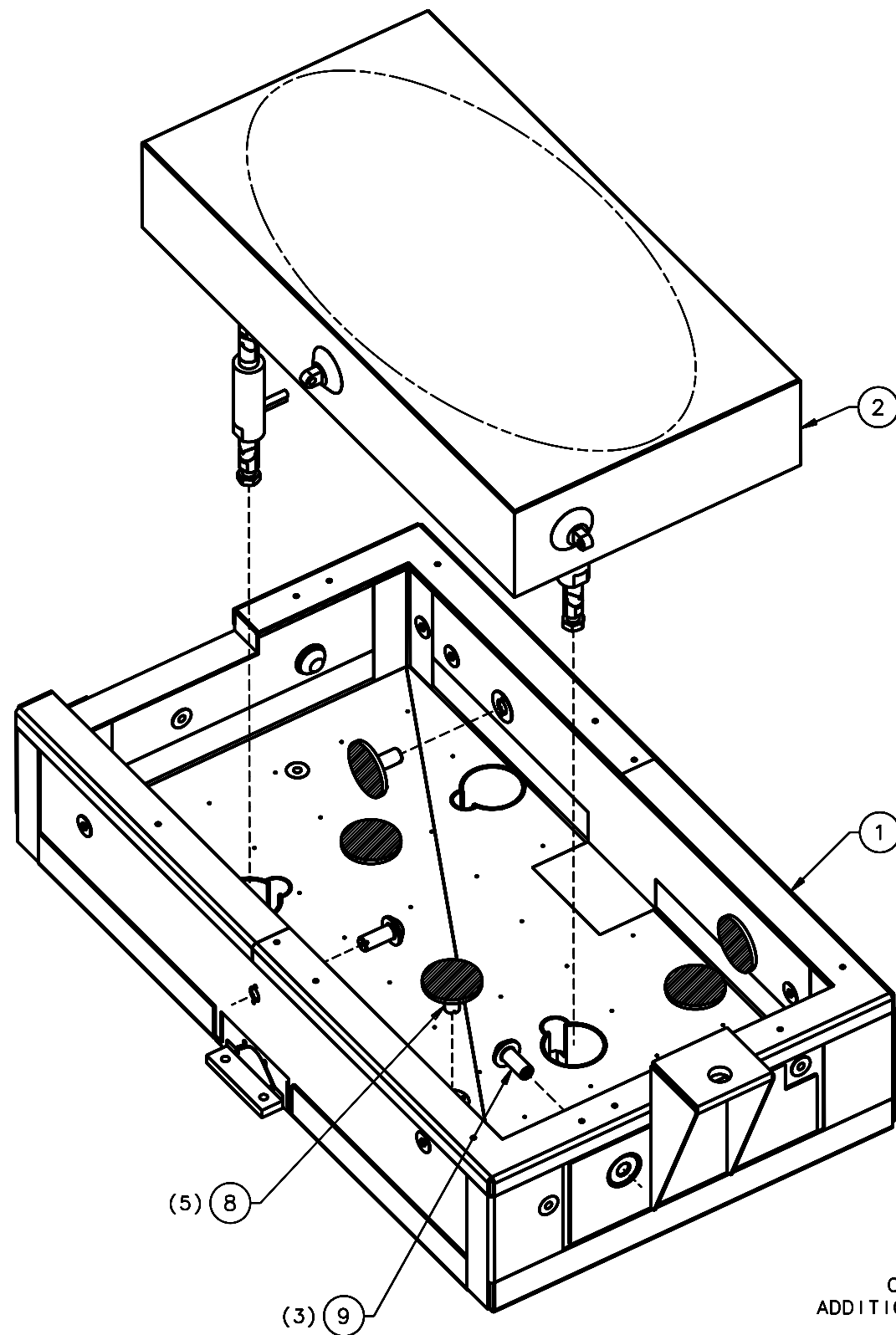


REVISIONS				
LTR	DESCRIPTION	DATE	REVISED BY	APPROVED
A	INITIAL RELEASE	05/11/05	J. BRENNAN	G. LANDIS



ASSEMBLY STEP 1

ISO VIEWS

SCALE NTS
CONTINUED ON SHTs 2 & 3;
ADDITIONAL ASSEMBLY VIEWS ON SHT 4

NOTES:

1. 1 REQUIRED.
2. REQUIRED DOCUMENT:
 - A. SP14099 MAESTRO SYSTEM ALIGNMENT
3. APPLY ITEM 16 THREADLOCKER AS REQD (SEE 13656) AFTER ADJUSTMENTS.

QTY PER ASSY	AR	PART NUMBER	PART DESCRIPTION	MANUFACTURER or MAT'L SPEC	ITEM NO.
		222	THREADLOCKER	LOCTITE	16
9		92141A005	WASHER, FLAT, #4 x .312 OD x .032, 18-8 SS	McMASTER-CARR	15
					14
9		92196A146	SHCS, .138-32 UNC-2A x .375 LG, 18-8 SS	McMASTER-CARR	13
9		92196A107	SHCS, .112-40 UNC-2A x .312 LG, 18-8 SS	McMASTER-CARR	12
					11
					10
3		14257	LATERAL REST PAD		9
5		14256	BOTTOM AXIAL REST PAD		8
1		13663	SHORT LATERAL SUPPORT LINK ASSEMBLY		7
1		13662	LONGITUDINAL SUPPORT LINK ASSEMBLY		6
1		13658	LATERAL SUPPORT LINK ASSEMBLY		5
1		13609	GRATING BAFFLE ASSEMBLY		4
3		13601	AXIAL ACTUATOR HOUSING ASSEMBLY		3
1		13599	AXIAL ACTUATOR INSTALLATION		2
1		13595	STRUCTURAL ASSEMBLY		1

LIST OF MATERIALS					
DO NOT SCALE DRAWING INTERPRET DIMENSIONS AND TOLERANCES IN ACCORDANCE WITH ASME Y14.5M-94		THIS DRAWING CREATED IN: ACAD <input type="checkbox"/> MECH <input type="checkbox"/> IDEAS <input checked="" type="checkbox"/>		Steward Observatory, University of Arizona 933 N. Cherry Avenue, Tucson, AZ 85721 (520)621-7659	
TOLERANCES UNLESS OTHERWISE SPECIFIED LINEAR ANGULAR .1 - NA .05 - NA .02 - NA DIAMETRICAL SEE SPEC S-002		DESIGNED BY: S. MATHEWS	DATE: 8/27/04	CATEGORY: MMT	
MATERIAL -		DRAWN BY: R. NAGY	10/29/04	PROJECT: MAESTRO	
FINISH -		CHECKED BY: G. LANDIS	03/21/05	TITLE: GRATING CELL TOP ASSEMBLY	
NEXT ASSY USED ON		APPROVED: M. REED	05/11/05	PLOT SIZE SCALE: D -	
ASSEMBLY APPLICATION		APPROVED: J. BECHTOLD	05/11/05	DRAWING NUMBER: 13434	
CURRENT TIME/DATE/FILE LOCATION:		APPROVED: R. WARNER	05/11/05	REVISION: A	
DRAWING ARCHIVE LOCATION: http://dovinci.as.arizona.edu/ccad/default.html		SHEET 1 OF 5			