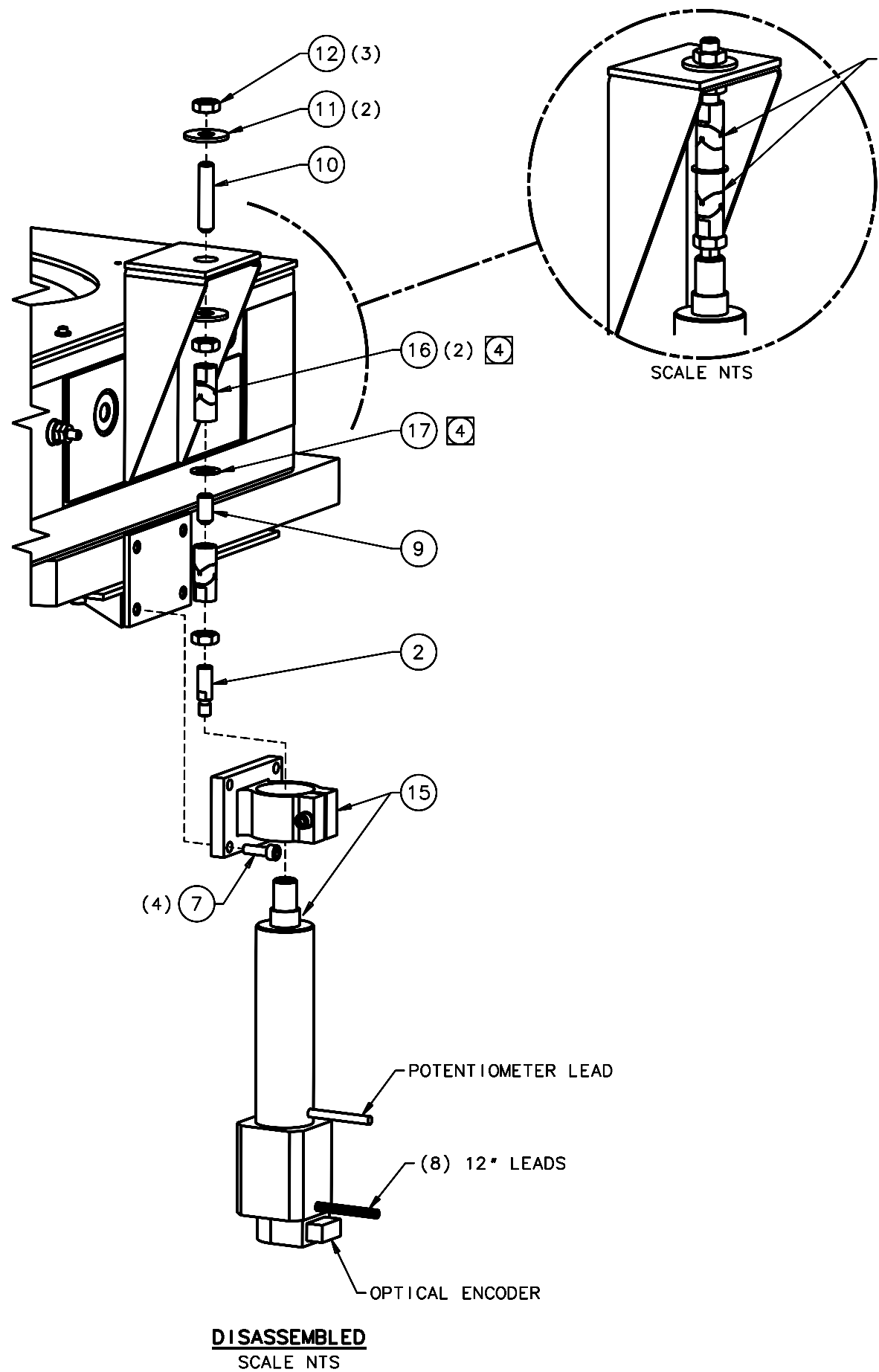


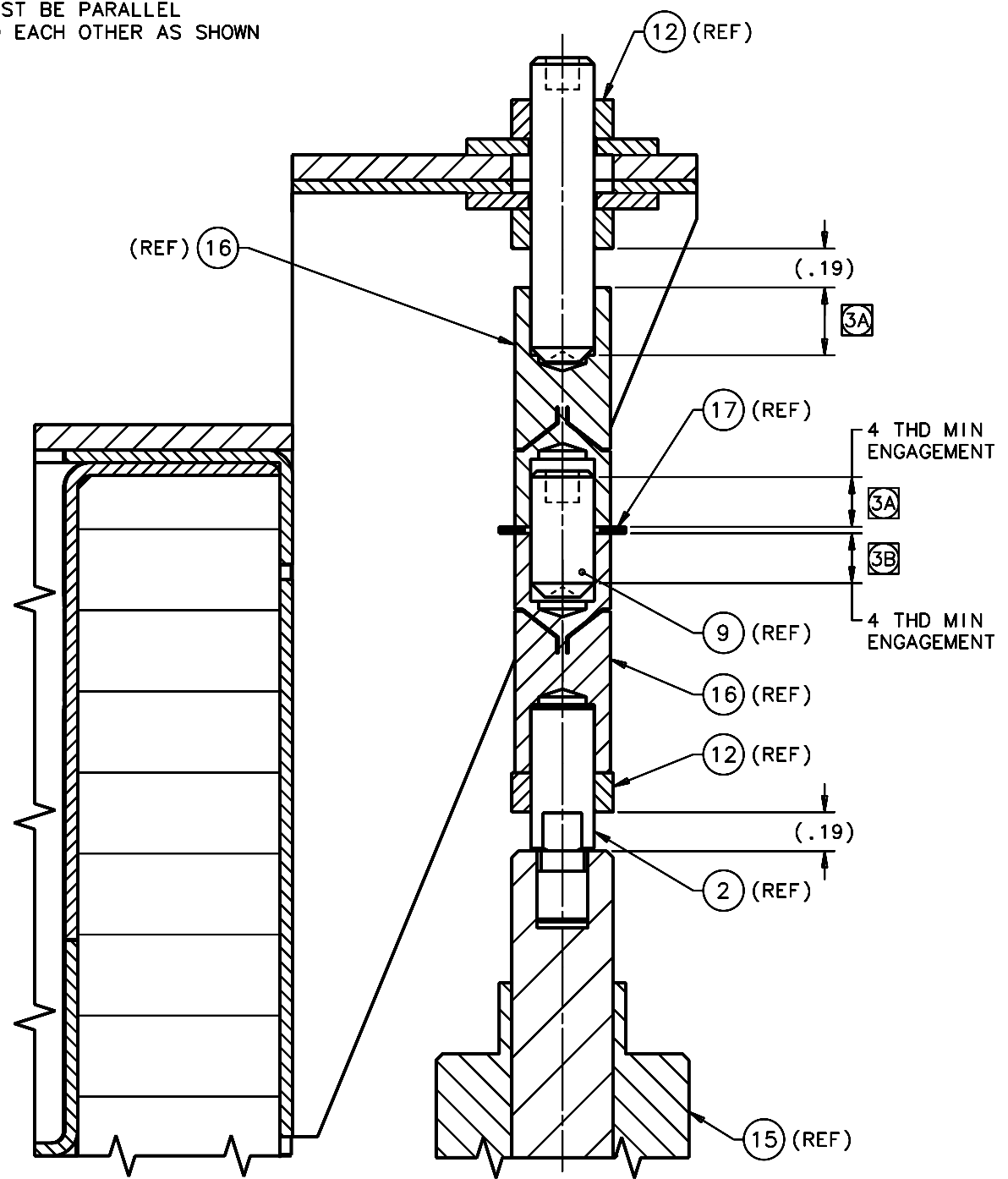
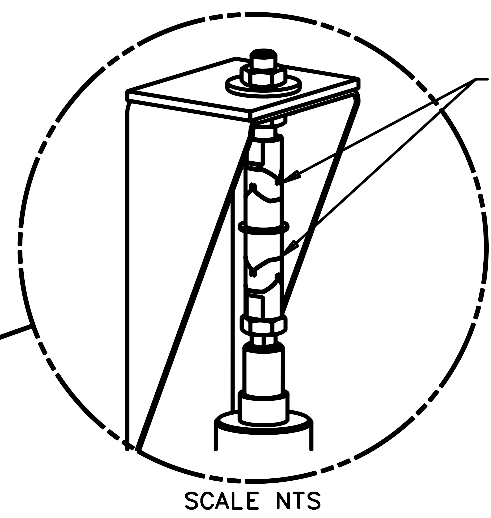
REVISIONS				
LTR	DESCRIPTION	DATE	REVISED BY	APPROVED
A	INITIAL RELEASE	5/2/05	R. NAGY	G. LANDIS
B	UPDATED FOR ITEMS 1, 3, 4, & 5 REVISIONS	9/21/05	R. NAGY	W. DAVISON



**DISASSEMBLED**  
SCALE NTS

**DETAIL A**  
(SHT 1)  
SCALE AS NOTED

4  
ITEM 16 FLEXIBLE TIPS  
MUST BE PARALLEL  
TO EACH OTHER AS SHOWN



**ASSEMBLED**  
SCALE 2 1/2:1

DO NOT SCALE DRAWING INTERPRET DIMENSIONS AND TOLERANCES IN ACCORDANCE WITH ASME Y14.5M-94		THIS DRAWING CREATED IN: ACAD <input type="checkbox"/> MECH <input type="checkbox"/> IDEAS <input checked="" type="checkbox"/>		Steward Observatory, University of Arizona 933 N. Cherry Avenue, Tucson, AZ 85721 (520)621-7659	
TOLERANCES UNLESS OTHERWISE SPECIFIED LINEAR .1 - NA .05 - NA .02 - NA ANGULAR NA DIAMETRICAL SEE SPEC S-002		DESIGNED BY: D. DEAN/S.M.	DATE: 11/17/04	CATEGORY: MMT	
MATERIAL -		DRAWN BY: R. NAGY	12/14/04	PROJECT: MAESTRO	
FINISH -		CHECKED BY: G. LANDIS	3/21/05	TITLE: GRATING CELL & PLATFORM TOP ASSEMBLY	
ASSEMBLY APPLICATION		APPROVED: M. REED	5/2/05	PLOT SIZE SCALE: D -	
CURRENT TIME/DATE/FILE LOCATION:		APPROVED: J. BECHTOLD	5/2/05	DRAWING NUMBER: 13425	
DRAWING ARCHIVE LOCATION: <a href="http://davinci.as.arizona.edu/ccad/default.html">http://davinci.as.arizona.edu/ccad/default.html</a>		APPROVED:		REVISION: B	