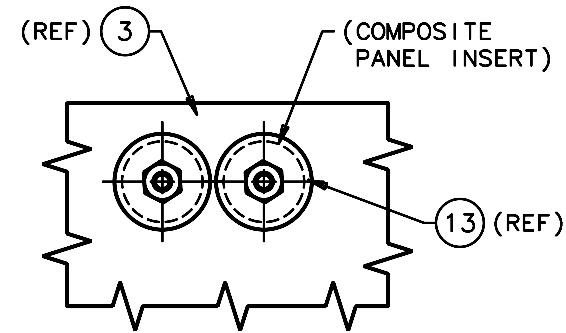
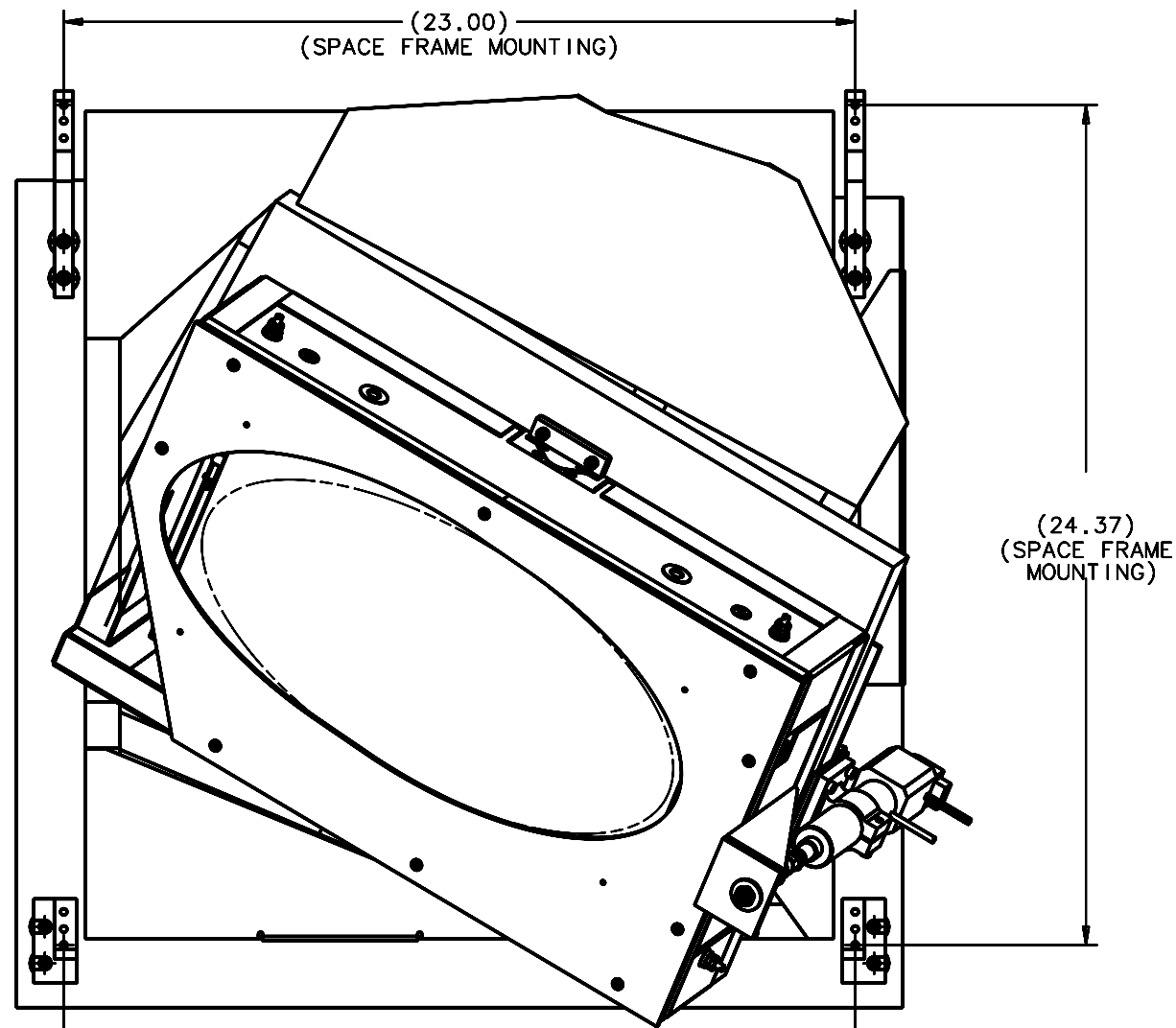
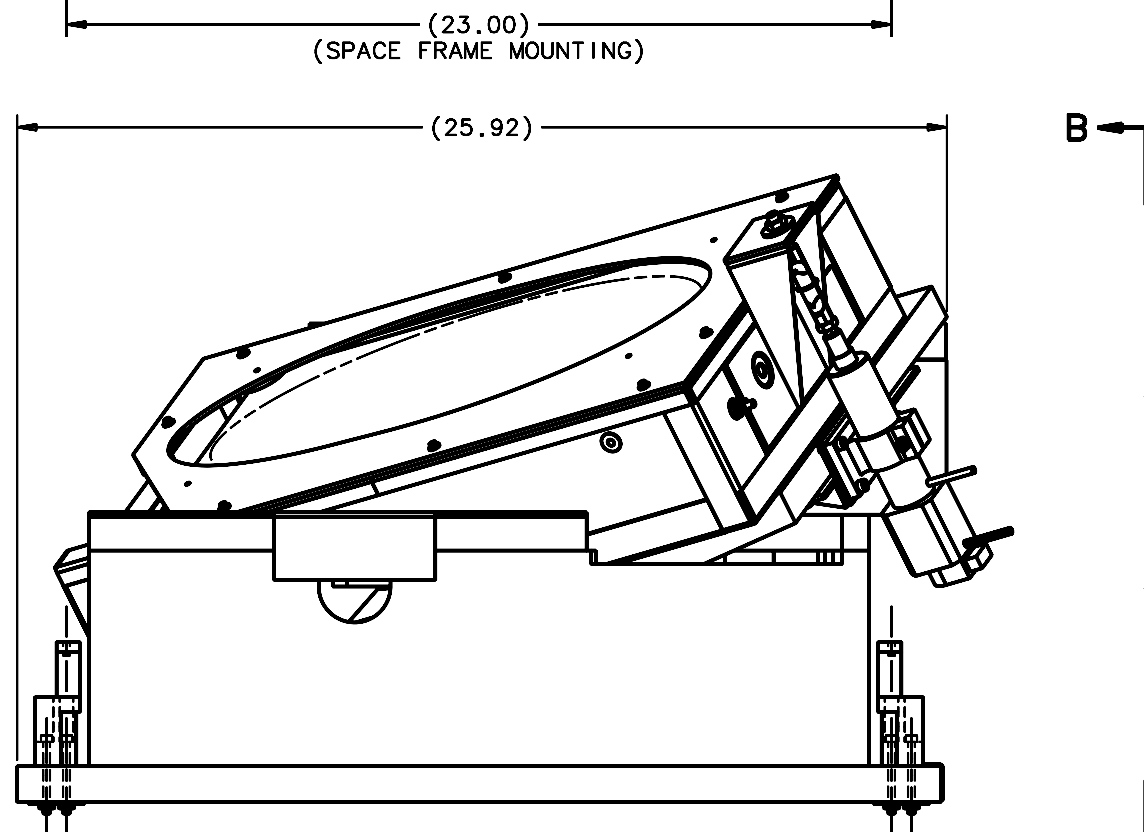


REVISIONS				
LTR	DESCRIPTION	DATE	REVISED BY	APPROVED
A	INITIAL RELEASE	5/2/05	R. NAGY	G. LANDIS
B	UPDATED FOR ITEMS 1, 3, 4, & 5 REVISIONS	9/21/05	R. NAGY	W. DAVISON

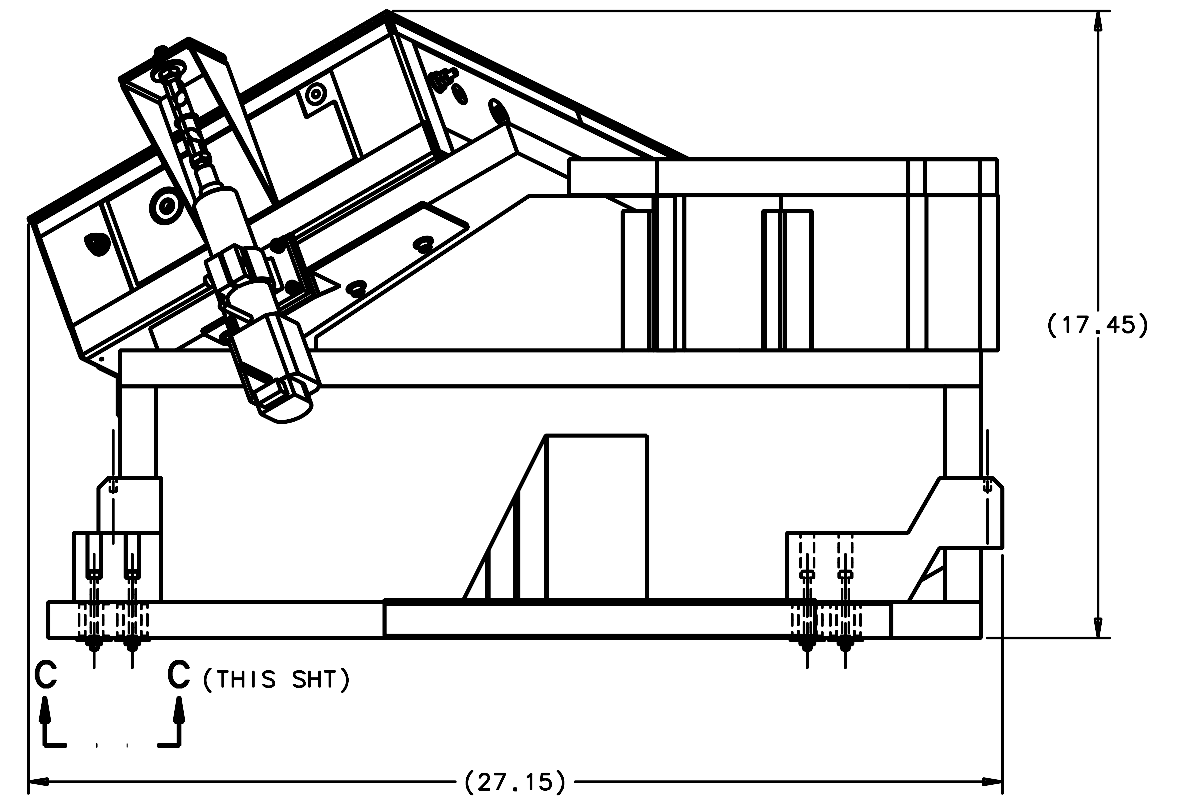


VIEW C-C
(THIS SHT)
SCALE 1:1



SCALE 3:8

(THIS SHT) B



VIEW B-B
(THIS SHT)
SCALE 3:8

DO NOT SCALE DRAWING INTERPRET DIMENSIONS AND TOLERANCES IN ACCORDANCE WITH ASME Y14.5M-94	THIS DRAWING CREATED IN:			Steward Observatory, University of Arizona 933 N. Cherry Avenue, Tucson, AZ 85721 (520)621-7659			
	ACAD <input type="checkbox"/>	MECH <input type="checkbox"/>	IDEAS <input checked="" type="checkbox"/>	DESIGNED BY: D. DEAN/S.M.	DATE: 11/17/04	CATEGORY: MMT	
TOLERANCES UNLESS OTHERWISE SPECIFIED LINEAR ANGULAR .1 - NA NA .05 - NA .02 - NA DIAMETRICAL SEE SPEC S-002				DRAWN BY: R. NAGY	DATE: 12/14/04	PROJECT: MAESTRO	
				CHECKED BY: G. LANDIS	DATE: 3/21/05	TITLE: GRATING CELL & PLATFORM TOP ASSEMBLY	
				APPROVED: M. REED	DATE: 5/2/05		
				APPROVED: J. BECHTOLD	DATE: 5/2/05		
MATERIAL	TBD	MMT		APPROVED:		PLOT SIZE SCALE:	DRAWING NUMBER:
	NEXT ASSY	USED ON		APPROVED:		D -	13425
FINISH	ASSEMBLY APPLICATION			CURRENT TIME/DATE/FILE LOCATION:			REVISION:
				DRAWING ARCHIVE LOCATION: http://davinci.as.arizona.edu/ccad/default.html			B